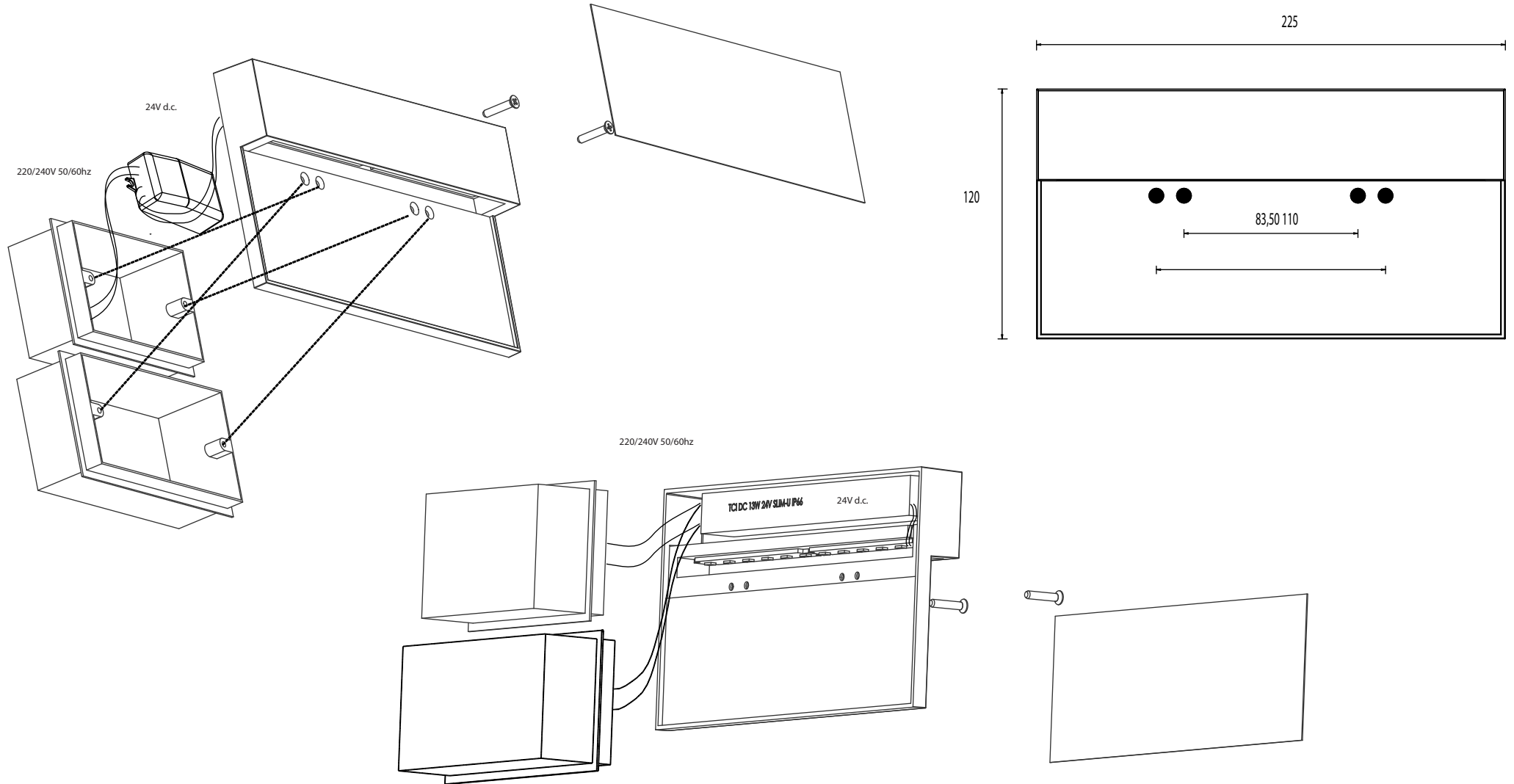




# INSTALLATION INSTRUCTIONS FOR CARD

ISTRUZIONI PER L'INSTALLAZIONE DEL SISTEMA MTS.5429  
INSTRUCTIONS DE MONTAGE DU SYSTEME MTS.5429  
MONTAGEANLEITUNGEN FUER MTS.5429  
INSTRUCCIONES PARA LA INSTALACION DEL SISTEMA MTS.5429



**Spazio Lighting (Pty) LTD.**  
**JOHANNESBURG OFFICE:** 52 Andries Street | Wynberg/Sandton  
**CAPE TOWN OFFICE:** 36 Milner Street | Paarden Eiland  
**DURBAN OFFICE:** 31 Solstice Road | Umhlanga Ridge  
**011 555 5555** (Central Switchboard) | [info@spazio.co.za](mailto:info@spazio.co.za)