


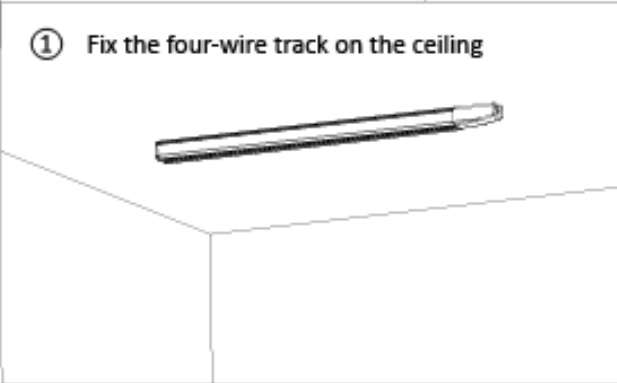
INSTRUCTIONS

SPAZIO

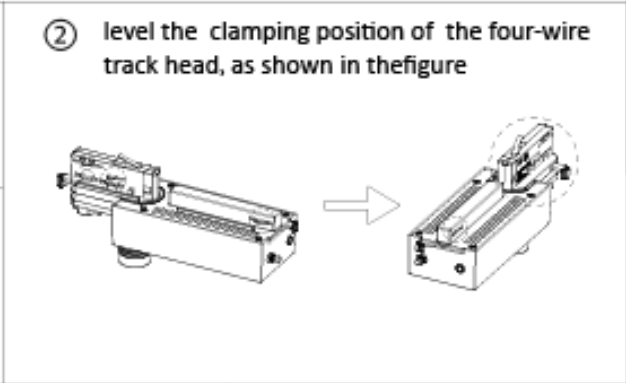
4010.4030



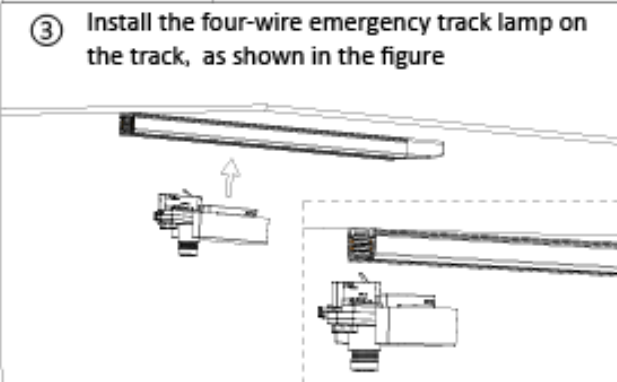
① Fix the four-wire track on the ceiling



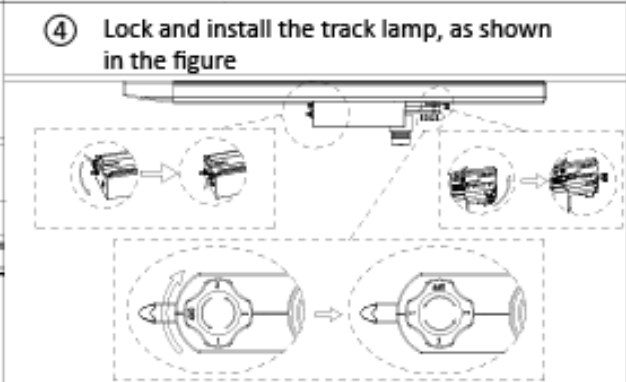
② level the clamping position of the four-wire track head, as shown in the figure



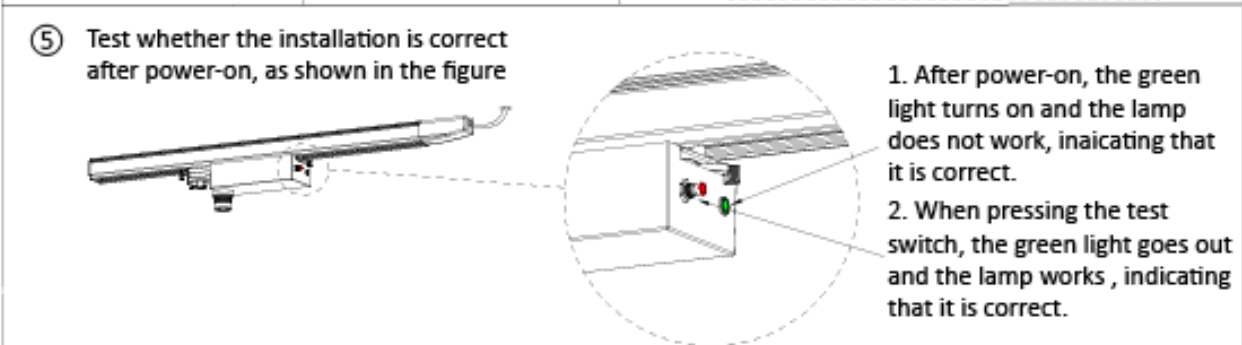
③ Install the four-wire emergency track lamp on the track, as shown in the figure



④ Lock and install the track lamp, as shown in the figure



⑤ Test whether the installation is correct after power-on, as shown in the figure



1. After power-on, the green light turns on and the lamp does not work, indicating that it is correct.

2. When pressing the test switch, the green light goes out and the lamp works, indicating that it is correct.

IMPORTANT WARNING: DO NOT engage phase before locking.

Spazio Lighting (Pty) LTD.
JOHANNESBURG OFFICE: 52 Andries Street | Wynberg/Sandton
CAPE TOWN OFFICE: 36 Milner Street | Paarden Eiland
DURBAN OFFICE: 31 Solstice Road | Umhlanga Ridge
011 555 5555 (Central Switchboard) | info@spazio.co.za