

# INSTRUCTIONS

# SPAZIO

## TORCH PENDANT

8685.02

Please read the instructions before commencing installation and retain for future reference.

### SPECIFICATIONS:

- **Fitting:** Aluminum + glass shade and metal base
- **Lamp types:** Max. 10W / GU10
- **Protection against electric shock:** CLASS II. Does not require earth connection.
- **Ingress Protection:** IP20. Protection against the entry of solid bodies with dimensions > 12mm.
- **Quality/Corrosive rating:** Suitable for indoor commercial and residential applications.

### INSTALLATION INSTRUCTIONS:



Electrical products can cause death, injury or damage to property. Installation of this product must be carried out by a qualified electrician, in accordance with SANS 10142. On completion of installation, ensure that the Certificate of Compliance is updated.



CAUTION: Risk of electric shock

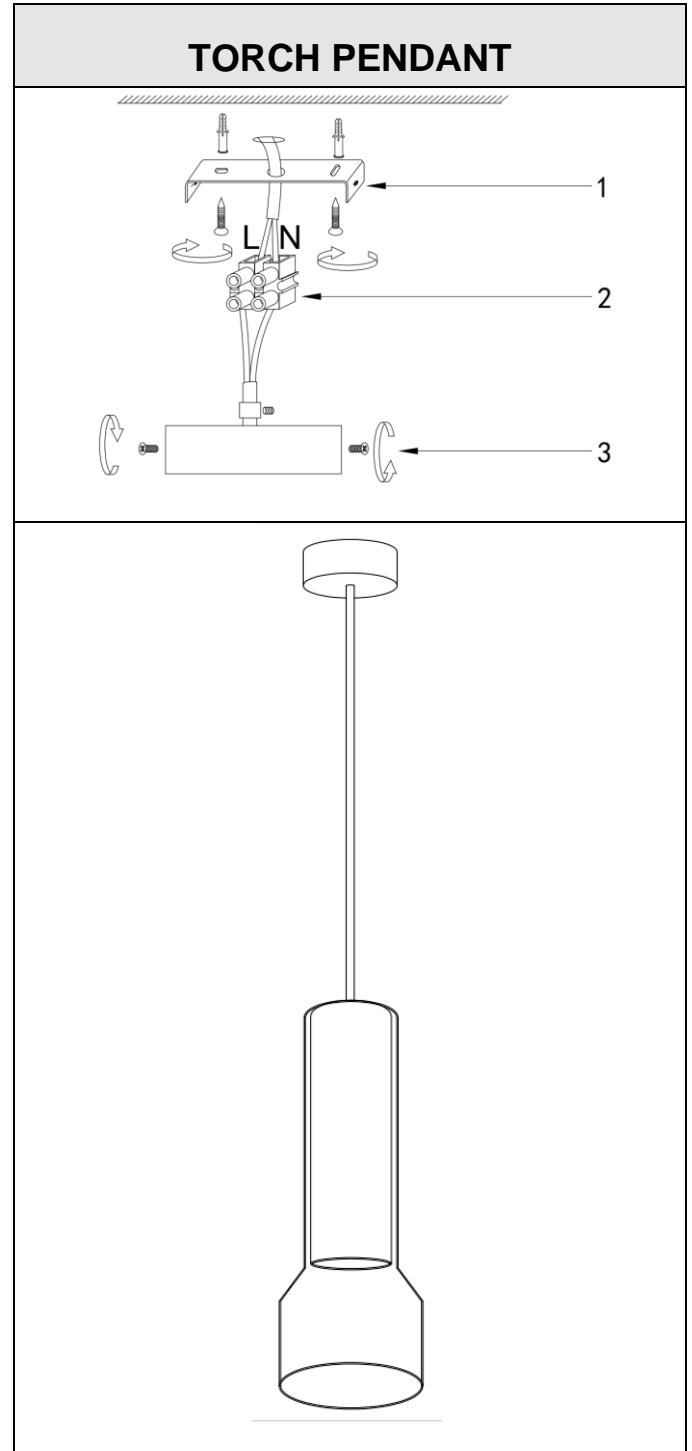
#### Ensure main supply is switched off.

- Insert the expansion screws in the ceiling and attach the mounting bracket with the screws provided making sure the bracket is fitted securely. (1)
- Connect the fitting to its electrical source using the terminal block provided. (2)  
Brown (Live) - to Brown  
Blue (Neutral) - to Blue
- Attach the ceiling base and the mounting bracket firmly with the screws included. (3)

Switch main supply back on and test the fitting.

#### WARNING:

- Ensure all items and screws are secure and fitted correctly.



Spazio Lighting (Pty) LTD.

JOHANNESBURG OFFICE: 52 Andries Street | Wynberg/Sandton

CAPETOWN OFFICE: 36 Milner Road | Paarden Eiland

DURBAN OFFICE : 31 Solstice Road | Umhlanga Ridge

011 555 5555 (Central Switchboard) | [info@spazio.co.za](mailto:info@spazio.co.za)