

INSTRUCTIONS



GLOBE PENDANT

8541.200 / 8541.250 / 8541.300 / 8541.400

8541.200.10 / 8541.250.10 / 8541.300.10 / 8541.400.10

8541.200.30 / 8541.250.30 / 8541.300.30 / 8541.400.30

Please read the instructions before commencing installation and retain for future reference.

SPECIFICATIONS:

- **Fitting:** Glass shade and metal base
- **Lamp types:** Max. 40W/ E27
- **Protection against electric shock:** CLASS I. Requires earth connection.
- **Ingress Protection:** IP20. Protection against the entry of solid bodies with dimensions > 12mm
- **Quality/Corrosive rating:** Suitable for indoor commercial and residential applications.

INSTALLATION INSTRUCTIONS:

! Electrical products can cause death, injury or damage to property. Installation of this product must be carried out by a qualified electrician, in accordance with SANS 10142. On completion of installation, ensure that the Certificate of Compliance is updated.



CAUTION: Risk of electric shock

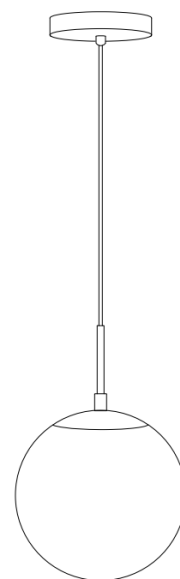
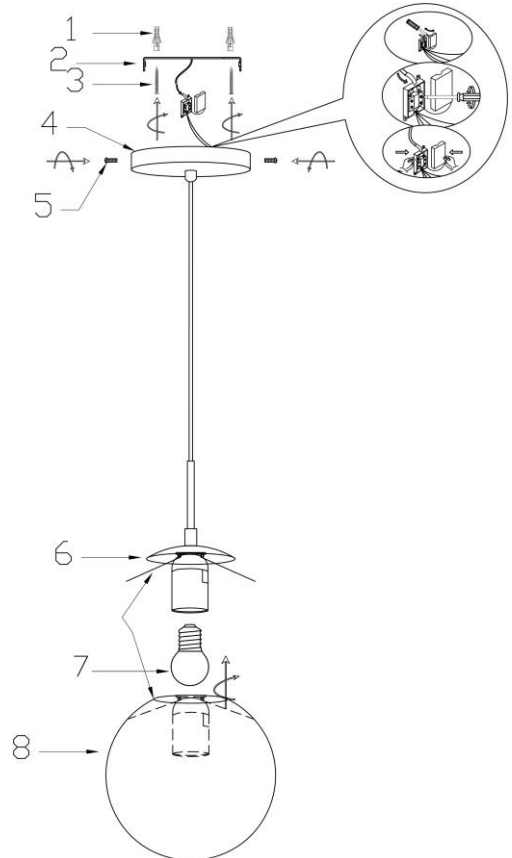
Ensure main supply is switched off.

- Remove the mounting bracket from the base, mark and drill two holes where you would like to install the fitting. Insert the expansion anchors (supplied) in the ceiling. (Fig. 1)
 - Mount the ceiling bracket to the anchors with the screws provided. (Fig. 2)
 - Connect the fitting to its electrical source using the terminal block provided. (Fig. 3)
Brown (Live) - to Brown or Red
Blue (Neutral) - to Blue or Black
Green/Yellow (Earth) - to Green/Yellow or Copper.
 - Fix the fitting base to the ceiling bracket. (Fig. 4)
 - Adjust the length of cable as needed. (Fig. 5)
 - Tighten the rod to the metal cover. (Fig. 6)
 - Install the lamp (Fig. 7)
 - Metal spring placed inside the glass, stuck and fixed (Fig. 8)
Attach the glass shade to the cover with the metal springs (to replace above sentence) (Fig. 8)
- Switch main supply back on and test the fitting.

WARNING:

- Ensure all items and screws are secure and fitted correctly.

GLOBE PENDANT



Spazio Lighting (Pty) LTD.

JOHANNESBURG OFFICE: 52 Andries Street | Wynberg/Sandton

CAPE TOWN OFFICE: 36 Milner Street | Paarden Eiland

DURBAN OFFICE : 31 Solstice Road | Umhlanga Ridge

011 555 5555 (Central Switchboard) | info@spazio.co.za