



SUNFLOOD User Manual



4601.4030

5W/512LM

Foldable / Adjustable / Portable / Standable / Hanging

REACH EN62471 CE

Please read and follow all instructions to operate.
Save this manual for future reference.

Specification

| | |
|----------------------|---|
| Product Type | Multifunctional Solar LED Flood Light |
| Power/Lumen | 5W / 512Lm |
| LEDs | SMD2835*30PCS |
| Li-ion Battery | 18650/3.7V/3000mAh, replaceable |
| Solar Panel | 2.3Wp, Monocrystalline silicon |
| Lighting Panel | 135° Adjustable |
| Bracket | 360° Adjustable |
| IP Degree | IP65 Waterproof |
| Beam Angle | 90° |
| Detection Angle/Area | 120°/ ≤6Mtrs |
| Charging Time | 6-7Hrs Under strong sunshine to fully charged |
| Working Time | Constant Lighting Mode: 5 hours+ Sensor Mode: 5 nights+ |
| Dimension | 232*34*150mm |
| Installation Height | ≤ 4Mtrs |
| Lifespan | 35,000hrs |
| Warranty | 24 Months warranty (12 months warranty for battery) |
| Packing | Brown box (1*Solar light, 1*Accessory bag, 1*User manual, 1*Measure card) |

Working Modes



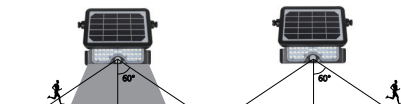
On/Off/Select working mode

Press the button, lamp will automatically turn on to Sensor Mode.
Keep pressing the button for 3 seconds, the light will flash once before turning to constant lighting mode.

Sensor Mode



When battery capacity is above >30%
Automatically turns on to full brightness
when motion is detected in the range
≤6mtrs, then dim to weak brightness
in 20 seconds of no motion.



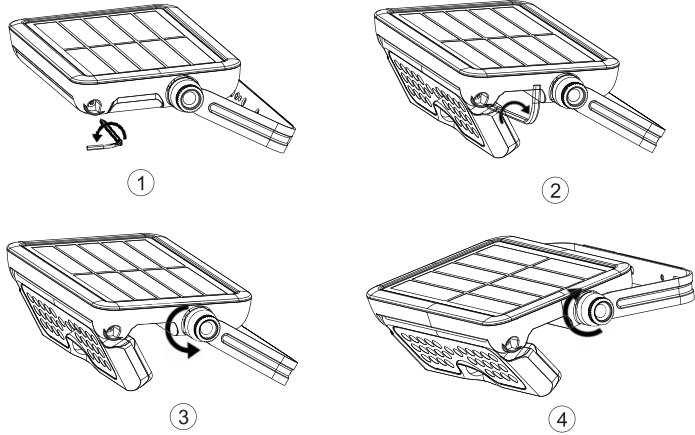
When battery capacity is below <30%
Automatically turns on to full brightness
when motion is detected in the range
≤6mtrs, then turns off in 20 seconds with
no motion.

Constant Lighting Mode



Press the button for 3 seconds, the light
will flash once before turning to constant
lighting mode with both motion and
light sensors disabled. Permanently keep
light on until the battery capacity reduces
to zero switching back to Sensor Mode.

Installation

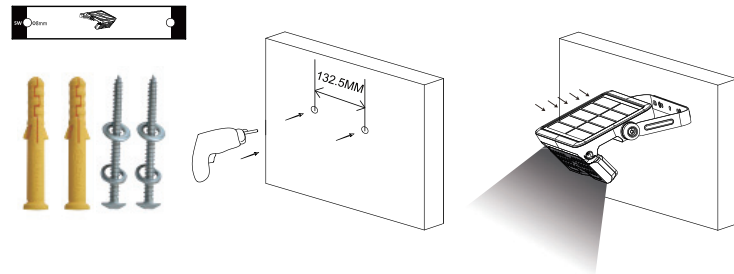


1. Prepare lamp, accessories and tools well firstly.
2. Use Allen key to loosen the light panel and adjust it to the required lighting angle (see picture ①), then fix the screw tightly (see picture ②).
3. Rotate the screw to loosen the bracket (see picture ③), adjust it to the appropriate angle and then fix the screw tightly (see picture ④).

Installation A: Wall mounted

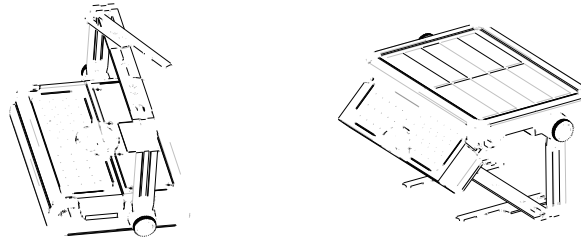
Please use the measure card to drill 2 holes of $\Phi 8\text{mm}$ with a spacing of 132.5mm, then fix the lamp onto the wall with expansion plugs and screws.

* The recommended mounting height is 2-4Mtrs.



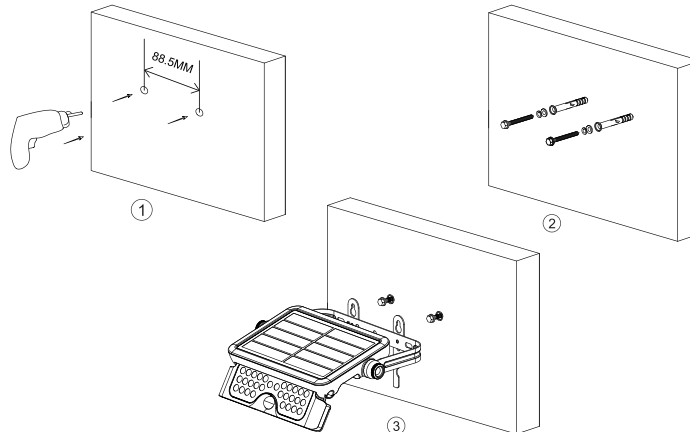
Installation B: Put on flat surface directly

Push aside the stand bracket and put it on a flat surface.



Installation C: Hang on the wall

- ① Please drill 2 holes of $\Phi 8\text{mm}$ on the wall with a spacing of 88.5mm. (see picture ①)
 - ② Do not screw the screws entirely in, leave some space to hang the bracket on. (Fig.2)
 - ③ Push aside the stand bracket, align the hanging holes to the screws and hang the lamp on the wall. (see picture ③)
- * The recommended hanging height is less than 2Mtrs.



Notice & Warning

1. This is a solar powered lamp, please install it in a location where it can get enough sunshine.
2. Please note the lighting time depends on the sunshine duration & weather.
3. The lamp will light up automatically at dusk.
4. Build-in intelligent integrated circuit with over-charge, over-discharge, over-voltage protection.
5. The lamp is equipped with an internal battery pack, which is replaceable. If any need, please contact sellers for correct new battery pack.
6. If the battery is taken out and put back in or replaced with new ones, please place the solar panel in sunshine or a strong light to activate the lamp.
7. Non-professionals please do not disassemble the lamp.
8. Please do not dispose the battery with household garbage to avoid explosion.

Spazio Lighting (Pty) LTD.

JOHANNESBURG OFFICE: 52 Andries Street | Wynberg/Sandton

CAPE TOWN OFFICE: 36 Milner Street | Paarden Eiland

DURBAN OFFICE: 31 Solstice Road | Umhlanga Ridge

011 555 5555 (Central Switchboard) | info@spazio.co.za