

# INSTRUCTIONS



## RAZOR WALL LIGHT

4548.3030 4548.3031 4548.4030 4548.4031

Please read the instructions before commencing installation and retain for future reference.

### SPECIFICATIONS

- **Fitting:** Body made in polycarbonate & ABS with polycarbonate diffuser.
- **Lamp types:**  
4548: 5.4W / 230V / LED 3000 or 4000K
- **Protection against electric shock:** CLASS II.
- **Ingress Protection:** IP65. Complete protection against dust and against the effects of water jets.
- **Quality/Corrosive rating:** Suitable for outdoor / indoor commercial and domestic applications
- **Ambient temperature range:** -20°C to +45°C.

### INSTALLATION INSTRUCTIONS:

**⚠** Electrical products can cause death, injury, damage to property. Installation of this product must be carried out by a qualified electrician, in accordance with SANS 10142. On completion of installation, ensure that the Certificate of Compliance is updated.



CAUTION: Risk of electric shock

PLEASE NOTE: The light source contained on this luminaire shall only be replaced by the manufacturer or the service agent or a similar qualified person.

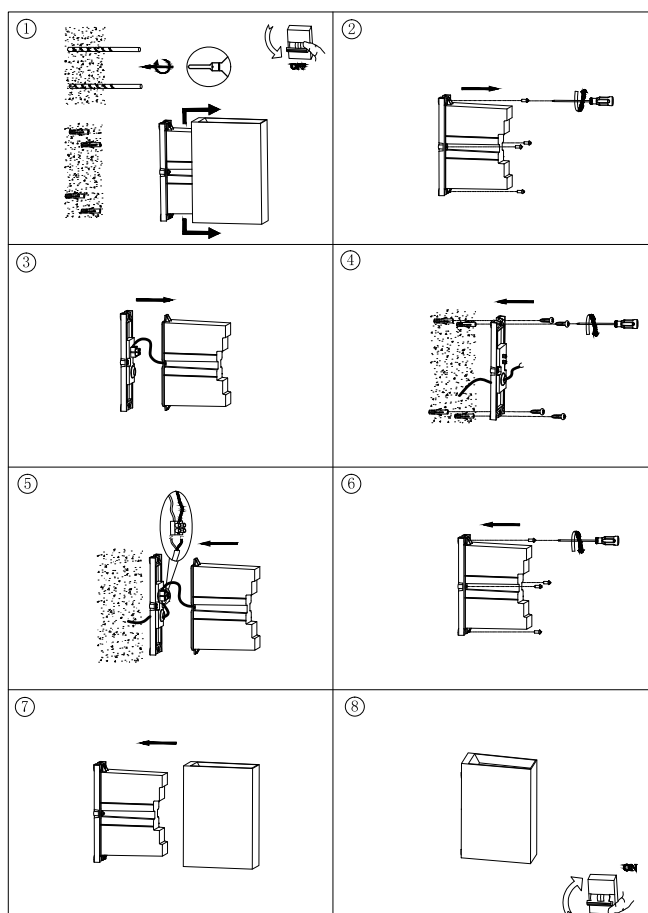
**Ensure main supply is switched off.** • Remove the lamp cover. (Fig.1).

- Unscrew the mounting bracket on the PC diffuser. (Fig.2)
- Feed the main supply cable through the grommet of the mounting bracket and fix it to the wall (Fig.3 / 4)
- Connect the main cable to the terminal block provided and ensure correct connection as marked.(Fig.5):  
Brown(Live) - to Brown or Red  
Blue(Neutral) – to Blue or Black
- Re-attach the mounting bracket securely to the diffuser. (Fig.6)
- Re-attach the lamp cover (Fig.7 / 8)

**Switch on mains supply**

**WARNING:** Ensure all items and screws are secure and fitted correctly.

## RAZOR WALL LIGHT



**Spazio Lighting (Pty) LTD.**

**JOHANNESBURG OFFICE:** 52 Andries Street | Wynberg/Sandton

**CAPE TOWN OFFICE:** 36 Milner Street | Paarden Eiland

**DURBAN OFFICE:** 31 Solstice Road | Umhlanga Ridge

**011 555 5555** (Central Switchboard) | [info@spazio.co.za](mailto:info@spazio.co.za)