

INSTRUCTIONS

MITE WALL LIGHT

4524.08.30 / 4524.12.30

Please read the instructions before commencing installation and retain for future reference.

SPECIFICATIONS:

- **Fitting:** Body made in ABS & PC with Polycarbonate diffuser.
- **Lamp types:**
4524.08.30: 8W / LED 3000K
4524.12.30: 12W / LED 3000K
- **Protection against electric shock:** CLASS II.
- **Ingress Protection:** IP65. Complete protection against dust and against the effects of water jets.
- **Quality/Corrosive rating:** Suitable for commercial use and indoor/outdoor applications.
- **Ambient temperature range:** -20°C to +55°C.

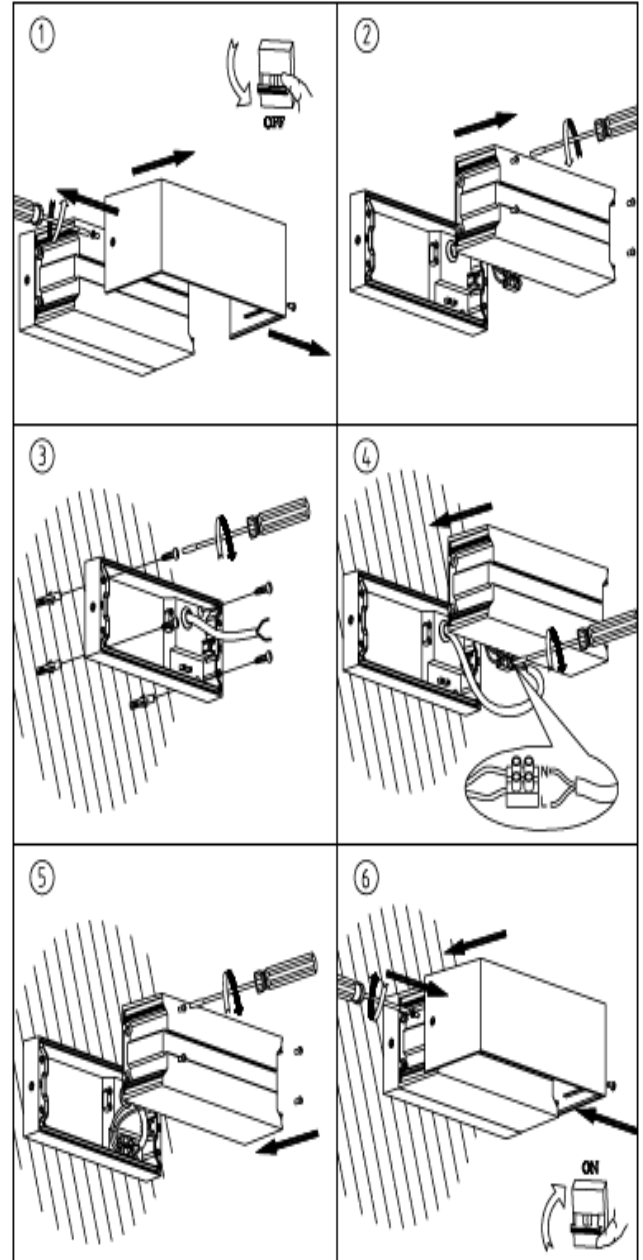
INSTALLATION INSTRUCTIONS:

⚠ Electrical products can cause death, injury, damage to property. Installation of this product must be carried out by a qualified electrician, in accordance with SANS 10142. On completion of installation, ensure that the Certificate of Compliance is updated.

Switch off mains supply.

- Unscrew and remove the cover from base (Fig.1).
- Unscrew and remove the PC diffuser (Fig.2).
- Feed the main supply cable through the grommet in the base and attach the base to the wall (Fig.3).
- Connect the main cable to the terminal block provided and ensure correct connection as marked (Fig.4):
Brown (Live) - to Brown or Red
Blue (Neutral) - to Blue or Black
- Screw the PC diffuser back on (Fig.5).
- Screw the cover back on and turn on the power (Fig.6).

WARNING: Ensure all items and screws are secure and fitted correctly. Never look directly at the LED.



Spazio Lighting (Pty) LTD.

JOHANNESBURG OFFICE: 52 Andries Street | Wynberg/Sandton

CAPE TOWN OFFICE: 36 Milner Street | Paarden Eiland

DURBAN OFFICE: 31 Solstice Road | Umhlanga Ridge

011 555 5555 (Central Switchboard) | info@spazio.co.za