

INSTRUCTIONS



OZO and TAJ LED

Ozo: 4487.1 4487.2 4487.3 4487.4 4487.5 4487.6

Taj: 4495.1 4495.2

Please read the instructions before commencing installation and retain for future reference.

SPECIFICATIONS:

- **Fitting:** Body made in ABS & PC with PC diffuser.
- **Lamp types:**
 - Ozo:
 - Round Plain - 2.55W/230V LED
 - Round Downface - 1.13W/230V LED
 - Square Plain - 2.97W/230V LED
 - Square Downface - 0.92W/230V LED
 - Taj:
 - Small - 2W/230V LED
 - Large - 5W/230V LED
- **Protection against electric shock:** CLASS II.
- **Ingress Protection:** IP65. Complete protection against dust and against the effects of water jets.
- **Quality/Corrosive rating:** Suitable for commercial use and indoor/outdoor applications.
- **Ambient temperature range:** -20°C to +55°C.

INSTALLATION INSTRUCTIONS:

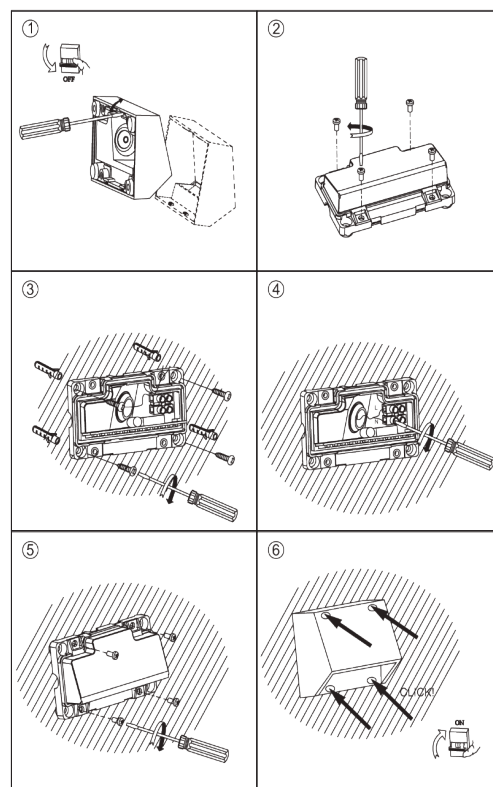
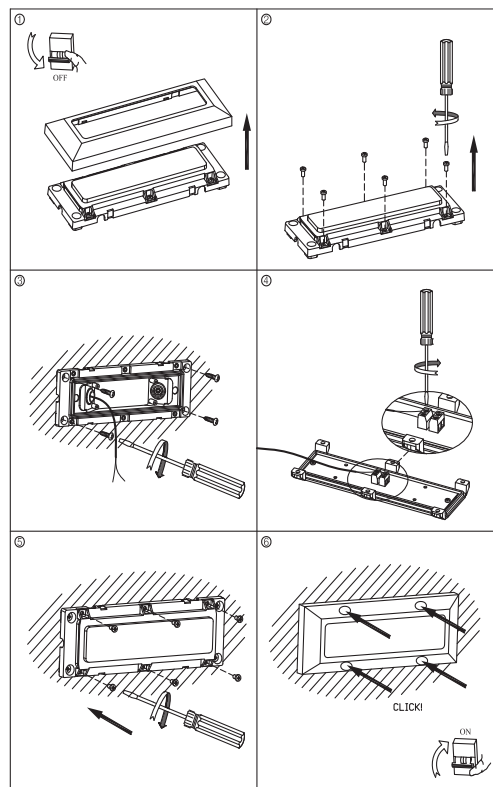
⚠ Electrical products can cause death, injury and damage to property. Installation of this product must be carried out by a qualified electrician, in accordance with SANS 10142.

On completion of installation, ensure that the Certificate of Compliance is updated.

- Ensure mains supply is switched off and remove the cover from housing (Fig. 1).
- Unscrew and remove the PC diffuser (Fig. 2).
- Feed the main supply cable through the grommet in the base (Fig. 3).
- Connect the main cable to the terminal block, please ensure the Live supply (Brown) to the terminal block marked L and Neutral supply (Blue) to the corresponding terminal block marked N (Fig. 4).
- Screw the PC diffuser and lamp base tightly (Fig. 5).
- Click the lamp cover on and turn on the power (Fig. 6).

PLEASE NOTE: Don't look at the LED directly!

WARNING: Ensure all items and screws are secure and fitted correctly.



Spazio Lighting (Pty) LTD.

JOHANNESBURG OFFICE: 52 Andries Street | Wynberg/Sandton

CAPE TOWN OFFICE: 36 Milner Street | Paarden Eiland

DURBAN OFFICE: 31 Solstice Road | Umhlanga Ridge

011 555 5555 (Central Switchboard) | info@spazio.co.za