

# INSTRUCTIONS

## KARDAN LED

3021.35.38.30.50    3021.35.38.40.50  
3022.35.38.30.50    3022.35.38.40.50

Please read the instructions before commencing installation and retain for future reference.

### SPECIFICATIONS:

- **Fitting:** Aluminium trim and mild steel body
- **Lamp types:** 3021.35.38.30.50 3022.35.38.30.50  
35W/230V Warm White 3000K  
3021.35.38.40.50 3022.35.38.40.50  
35W/230V Natural White 4000K
- **Product cutout :** 3021.35.38.30.50 3021.35.38.40.50 (175\*172mm)  
3022.35.38.30.50 3022.35.38.40.50 (312\*164mm)
- **Driver:** Includes LED driver
- **Protection against electric shock:** CLASS II
- **Ingress Protection:** IP20. Protection against the entry of solid bodies with dimensions of more than 12mm.
- **Quality/Corrosive rating:** Suitable for indoor commercial applications.
- **Ambient temperature range:** -15°C to +40°C. TC:75°C

### INSTALLATION:

**⚠** Electrical products can cause death, injury, damage to property. Installation of this product must be carried out by a qualified electrician, in accordance with SANS 10142. On completion of installation, ensure that the Certificate of Compliance is updated.

#### Turn off mains supply.

- Make the cut out in the ceiling. (Fig.1)
- Connect the fitting driver to the main power supply. (Fig.2)  
Brown (Live)  
Blue (Neutral)
- Place the fitting into the ceiling cut out and insert the mounting clips. (FIG.3)

#### Turn on the mains supply.

### WARNING:

- Ensure all items and screws are secure and fitted correctly.



FIG. 1

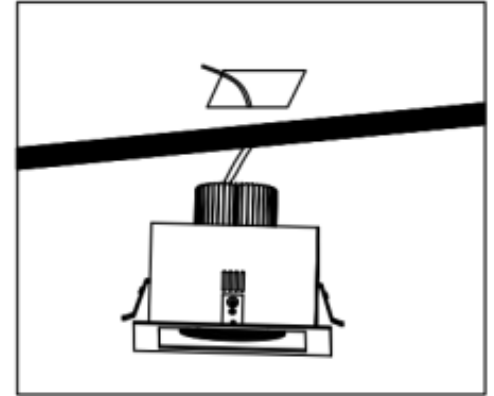


FIG. 2

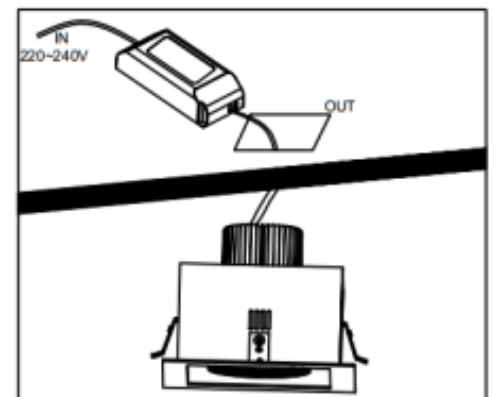


FIG. 3

