

INSTRUCTIONS



2303 ROUND DOWNLIGHT

2303/31 2303/30

Please read the instructions before commencing installation and retain for future reference.

SPECIFICATIONS:

- **Fitting:** Aluminum
- **Lamp types:** 10W/230V/GU10 LED
- **Protection against electric shock:** Class I, requires earth connection
- **Ingress Protection:** IP65 Protection against the entry of dust and against water jets
- **Driver:** No driver required
- **Quality/Corrosive rating:** Suitable for domestic and commercial indoor use only.
- **Ambient temperature range:** -20°C to + 80°C

INSTALLATION INSTRUCTIONS:

⚠ Electrical products can cause death, injury, damage to property. Installation of this product must be carried out by a qualified electrician, in accordance with SANS 10142. On completion of installation, ensure that the Certificate of Compliance is updated.



CAUTION: Risk of electric shock

Ensure mains supply is switched off.

Figure 1.

- Make the relevant cut-out in the ceiling (Fig. 1)
- Connect the driver to the main supply using the terminal block provided
 - Brown (Live) - to Brown or Red
 - Blue (Neutral) - to Blue or Black
- Install the lamp holder bracket in the retainer clip spring of the downlight
- Fit the outer ring into ceiling

Figure 2.

- Remove the inner ring from the fitting
- Fit the lamp into the inner ring
- Connect the bulb and lamp holder
- Re-insert the inner ring

Figure 3.

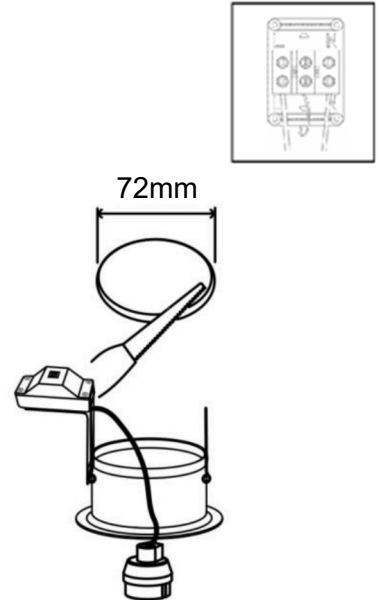
- Insert the fitting into the ceiling ensuring that the mains lead is not trapped. Push the clips upward to snap firmly into position flush with the ceiling.

WARNING:

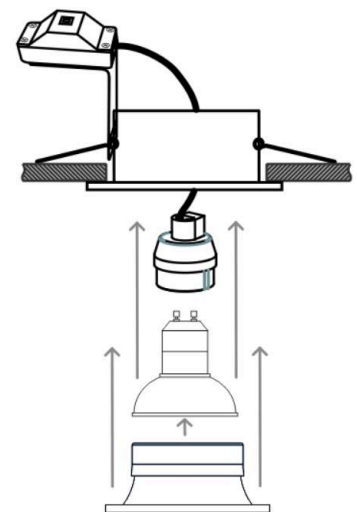
- Ensure all items and screws are secure and fitted correctly.
- Do not operate/install any product that appears damaged in any way.
- If damaged return the complete product to the place of purchase for inspection, repair or replacement.
- Ensure there are no components missing before commencing installation.

2303 ROUND DOWNLIGHT

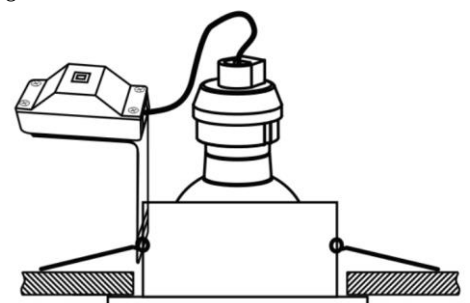
1



2



3



Spazio Lighting (Pty) LTD.

JOHANNESBURG OFFICE: 52 Andries Street | Wynberg/Sandton

CAPE TOWN OFFICE: 36 Milner Street | Paarden Eiland

DURBAN OFFICE: 31 Solstice Road | Umhlanga Ridge

011 555 5555 (Central Switchboard) | info@spazio.co.za