

INSTRUCTIONS

SPAZIO

2201 ROUND DOWNLIGHT

2201/31

Please read the instructions before commencing installation and retain for future reference.

SPECIFICATIONS:

- **Fitting:** Aluminum body with glass diffuser
- **Lamp types:** 10W / 230V / GU10 LED
- **Protection against electric shock:** Class I, requires earth connection
- **Ingress Protection:** IP65 Protection against the entry of dust and against water jets.
- **Driver:** Not applicable.
- **Quality/Corrosive rating:** Suitable for domestic and commercial indoor use only.
- **Ambient temperature range:** -20°C to + 80°C

INSTALLATION INSTRUCTIONS:



Electrical products can cause death, injury, damage to property. Installation of this product must be carried out by a qualified electrician, in accordance with SANS 10142. On completion of installation, ensure that the Certificate of Compliance is updated.



CAUTION: Risk of electric shock

Ensure mains supply is switched off.

Figure 1.

- Make the relevant cut-out in the ceiling (Fig. 1)
- Connect the fitting to the main supply using the terminal block provided
 - Brown (Live) - to Brown or Red
 - Blue (Neutral) - to Blue or Black
- Attach the lamp holder bracket to the retainer clip spring of the downlight
- Fit the outer ring into the ceiling by pushing the clips upward and snapping it firmly into position flush with the ceiling.

Figure 2.

- Remove the inner ring from the fitting
- Insert the lamp
- Re-insert the inner ring

Figure 3.

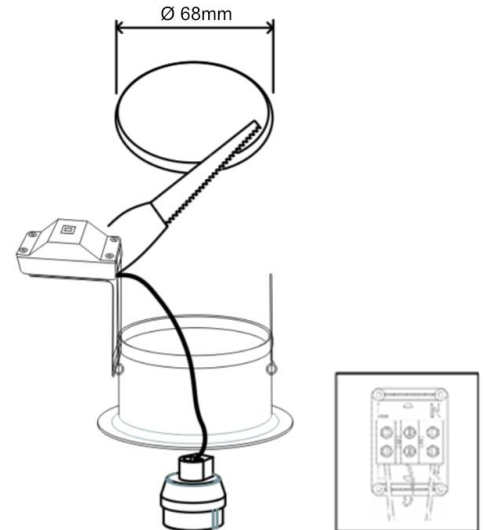
- Insert the fitting into the ceiling ensuring that the mains lead is not trapped. Push the clips upward to snap firmly into position flush with the ceiling. (remove but do not remove the image, the installation of the outer ring covers fig. 3)

Turn on mains supply.

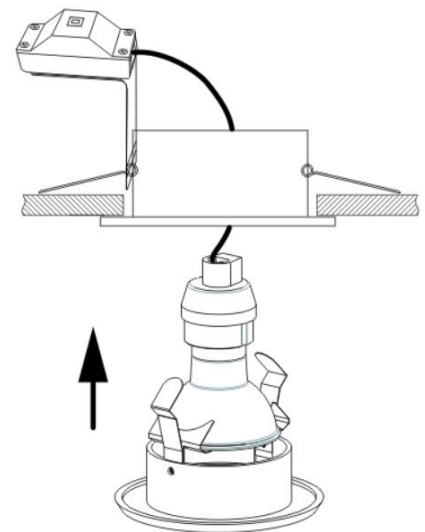
WARNING: Ensure all items and screws are secure and fitted correctly.

2201 ROUND DOWNLIGHT

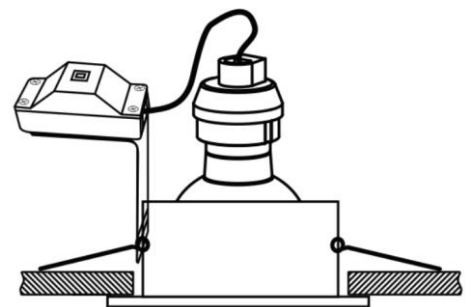
1



2



3



Spazio Lighting (Pty) LTD.

JOHANNESBURG OFFICE: 52 Andries Street | Wynberg/Sandton

CAPE TOWN OFFICE: 36 Milner Street | Paarden Eiland

DURBAN OFFICE: 31 Solstice Road | Umhlanga Ridge

011 555 5555 (Central Switchboard) | info@spazio.co.za