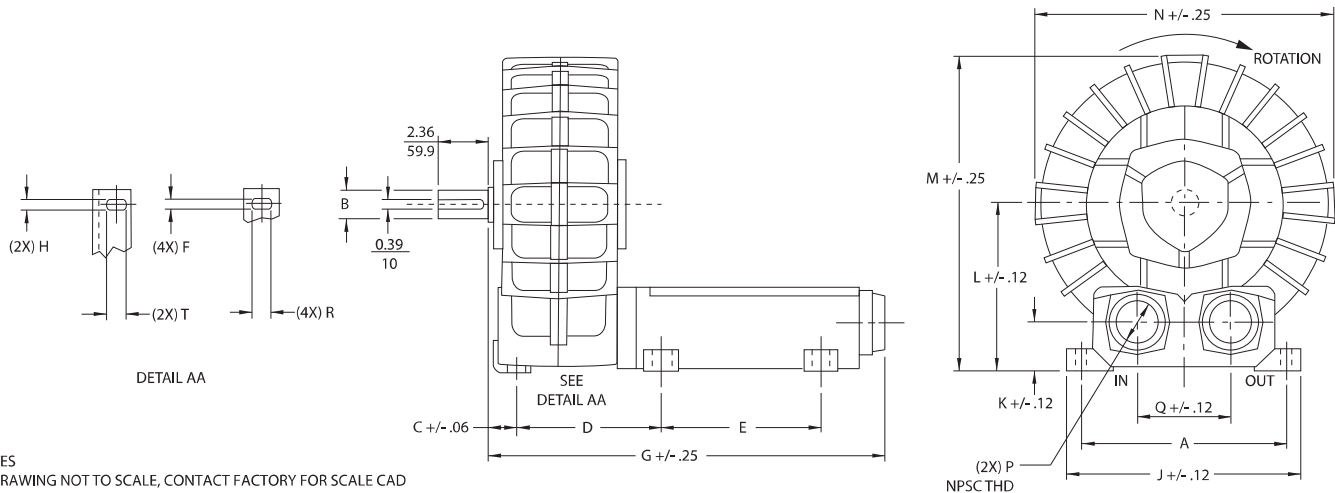


Remote Drive (Motorless) Blowers

DR/EN/CP 1233RD

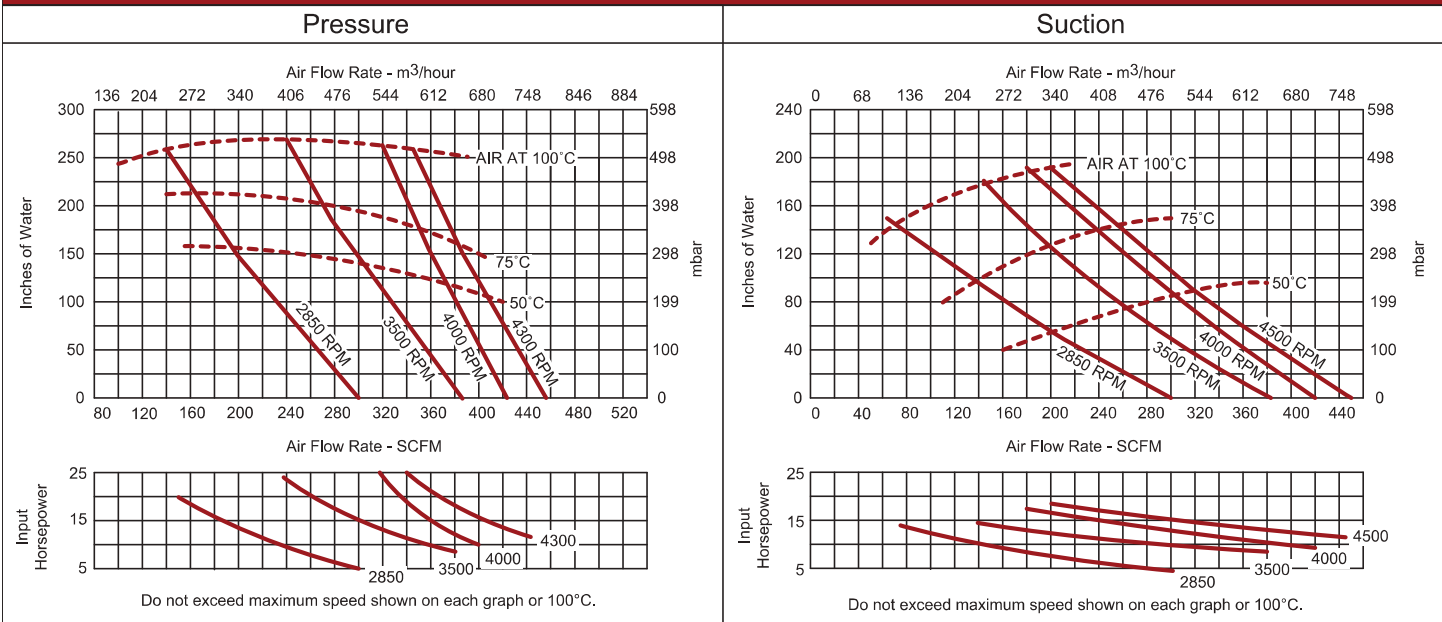
ROTRON®



- NOTES
 1. DRAWING NOT TO SCALE, CONTACT FACTORY FOR SCALE CAD DRAWING.
 2. CONTACT FACTORY FOR BLOWER MODEL LENGTHS NOT SHOWN.
 3. FILTER #515256 1PIECE

		Specification																
Model Number	Part Number	A	B	C	D	E	F	G	J	H	K	L	M	N	P	Q	R	T
DR1233RD	081853	14.96	1.50	2.36	9.45	12.80	.551	28.22	16.34	0.43	3.15	11.81	22.05	20.47	4.00	6.69	0.93	1.37
		380	38.1	59.9	240	325.1	14	716.8	415	10.9	80	300	560.1	519.9	101.6	169.9	23.6	34.8
EN1233RDL	081854	14.96	1.50	2.36	9.45	12.80	.551	28.22	16.34	0.43	3.15	11.81	22.05	20.47	4.00	6.89	0.93	1.37
		380	38.1	59.9	240	325.1	14	716.8	415	10.9	80	300	560.1	519.9	101.6	175	23.6	34.8

Blower Performance at Standard Conditions



This document is for informational purposes only and should not be considered as a binding description of the products or their performance in all applications. The performance data on this page depicts typical performance under controlled laboratory conditions. AMETEK is not responsible for blowers driven beyond factory specified speed, temperature, pressure, flow or without proper alignment. Actual performance will vary depending on the operating environment and application. AMETEK products are not designed for and should not be used in medical life support applications. AMETEK reserves the right to revise its products without notification. The above characteristics represent standard products. For product designed to meet specific applications, contact AMETEK Technical & Industrial Products Sales department.