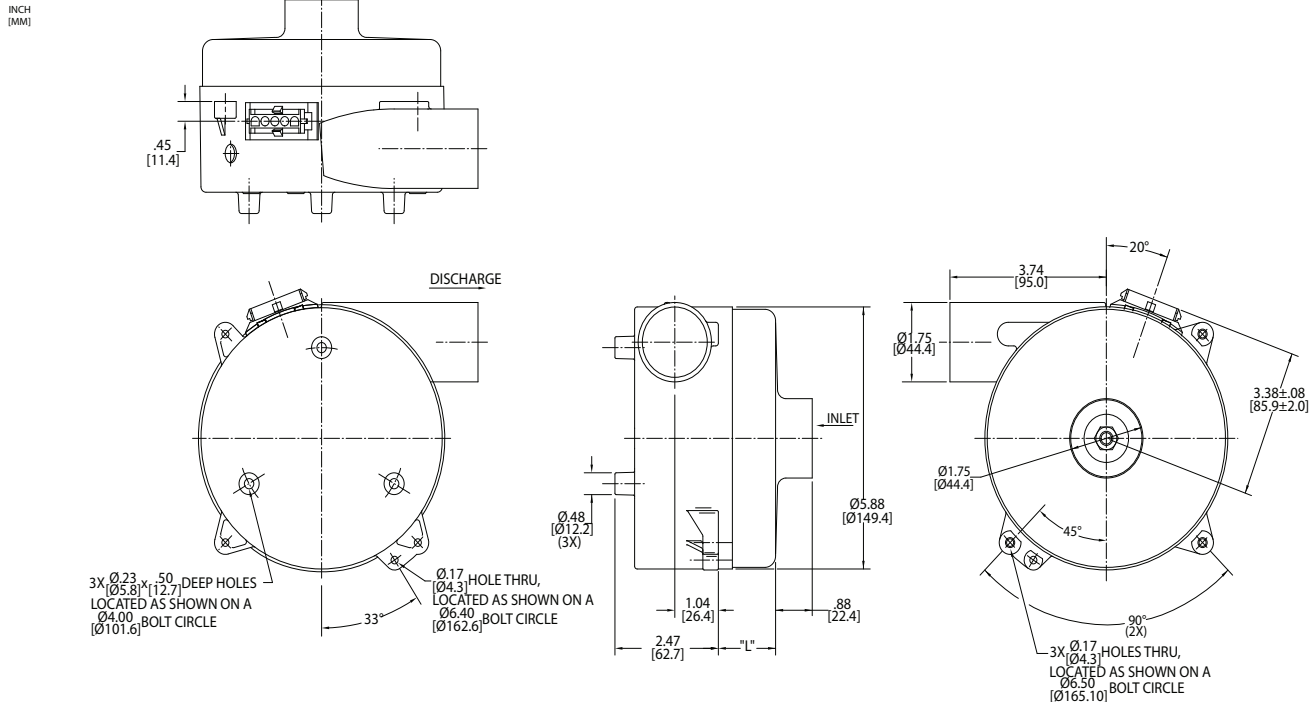


Low Voltage Brushless DC Blowers

5.7" (145mm) BLDC Thru Flow Blower

48 VDC Input, High Flow System



Specification	Units	Part/ Model Number			
		150419	150449	150420	150450
Stages	-	1	1	2	2
Input Voltage	VDC	43-53	43-53	43-53	43-53
Max Sealed Pressure	in. H2O	26.0	26.0	53	53
	mbar	64.8	64.8	132	132
Max Flow Rate	CFM	111.0	111.0	85.9	85.9
	m3/hr	188.7	188.7	146	146
Length (L)	Inches	.81	.81	1.81	1.81
	mm	20.6	20.6	46	46
Speed Control	-	Analog	Potent. Adjust.	Analog	Potent. Adjust.

Notes:

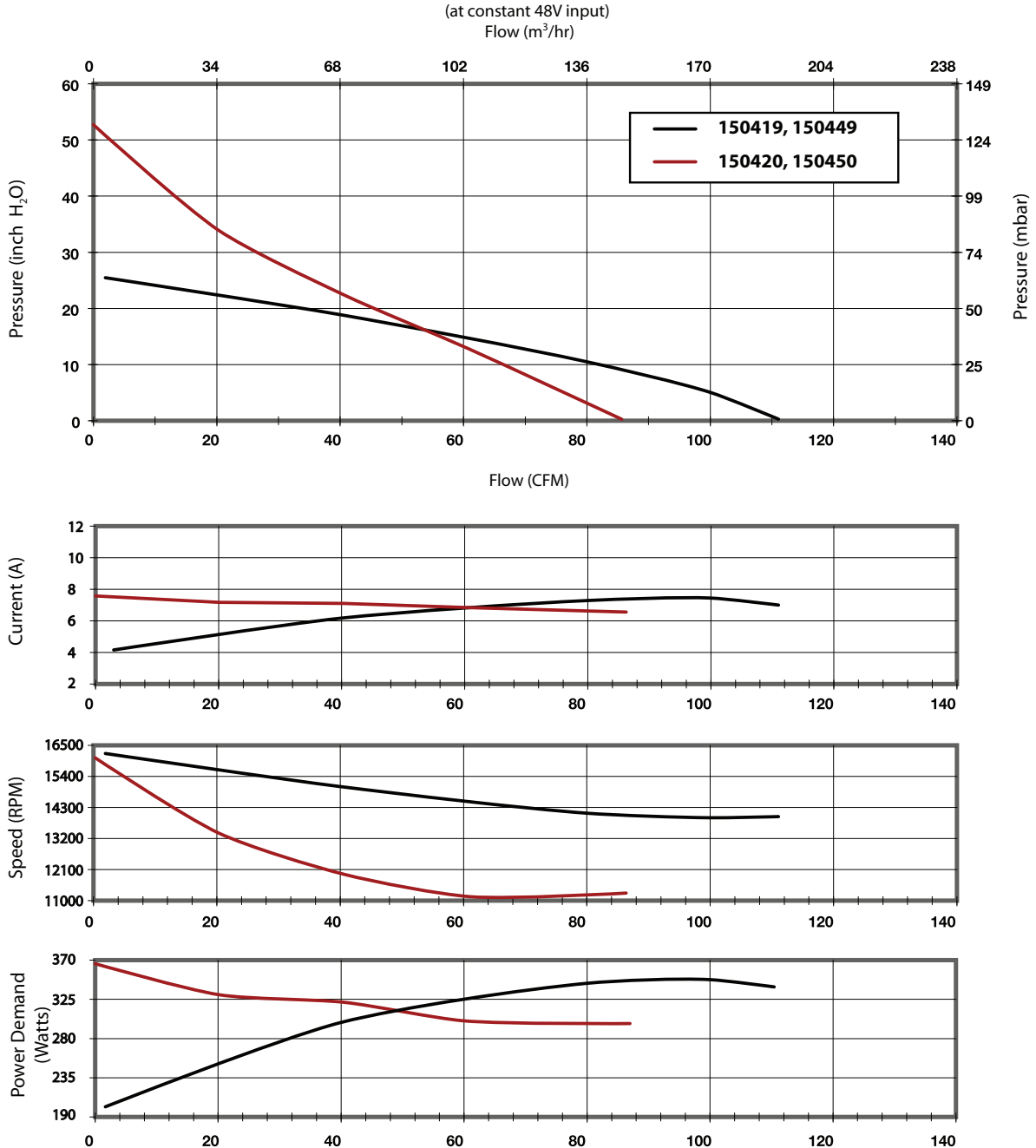
- **Temperature:** Working Air: 0°C to 45°C, Ambient Air: 0°C to 45°C, Storage: -40°C to 85°C.
- When used as a vacuum, the blower performance might be less than shown herein, depending on the operating point.
- **Weight** = 6 lb / 2.2 Kg

Potentiometer Adjustment (Potent. Adjust.) - The specified supply voltage is applied and the speed is set by adjusting a potentiometer on the side of the blower.

Analog Speed Command (Anlg. Spd. Cmd.) - Blower speed is proportional to an analog speed command signal. The range over which the speed command signal operates can be calibrated within 0-10V by adjusting the sensitivity potentiometer accessed through the side of the blower. The sensitivity adjustment is also useful for precisely calibrating a group of blowers to the same speed for a given operating point and command signal voltage.

This document is for informational purposes only and should not be considered as a binding description of the products or their performance in all applications. The performance data on this page depicts typical performance under controlled laboratory conditions. AMETEK is not responsible for blowers driven beyond factory specified speed, temperature, pressure, flow or without proper alignment. Actual performance will vary depending on the operating environment and application. AMETEK products are not designed for and should not be used in medical life support applications. AMETEK reserves the right to revise its products without notification. The above characteristics represent standard products. For product designed to meet specific applications, contact AMETEK Dynamic Fluid Solutions Sales department.

Typical Performance



Data presented represents blower performance at STANDARD AIR DENSITY, .075 lb/ft³ (29.92" Hg, Sea Level, 68° F)
 Vacuum performance available upon request.

This document is for informational purposes only and should not be considered as a binding description of the products or their performance in all applications. The performance data on this page depicts typical performance under controlled laboratory conditions. AMETEK is not responsible for blowers driven beyond factory specified speed, temperature, pressure, flow or without proper alignment. Actual performance will vary depending on the operating environment and application. AMETEK products are not designed for and should not be used in medical life support applications. AMETEK reserves the right to revise its products without notification. The above characteristics represent standard products. For product designed to meet specific applications, contact AMETEK Dynamic Fluid Solutions Sales department.