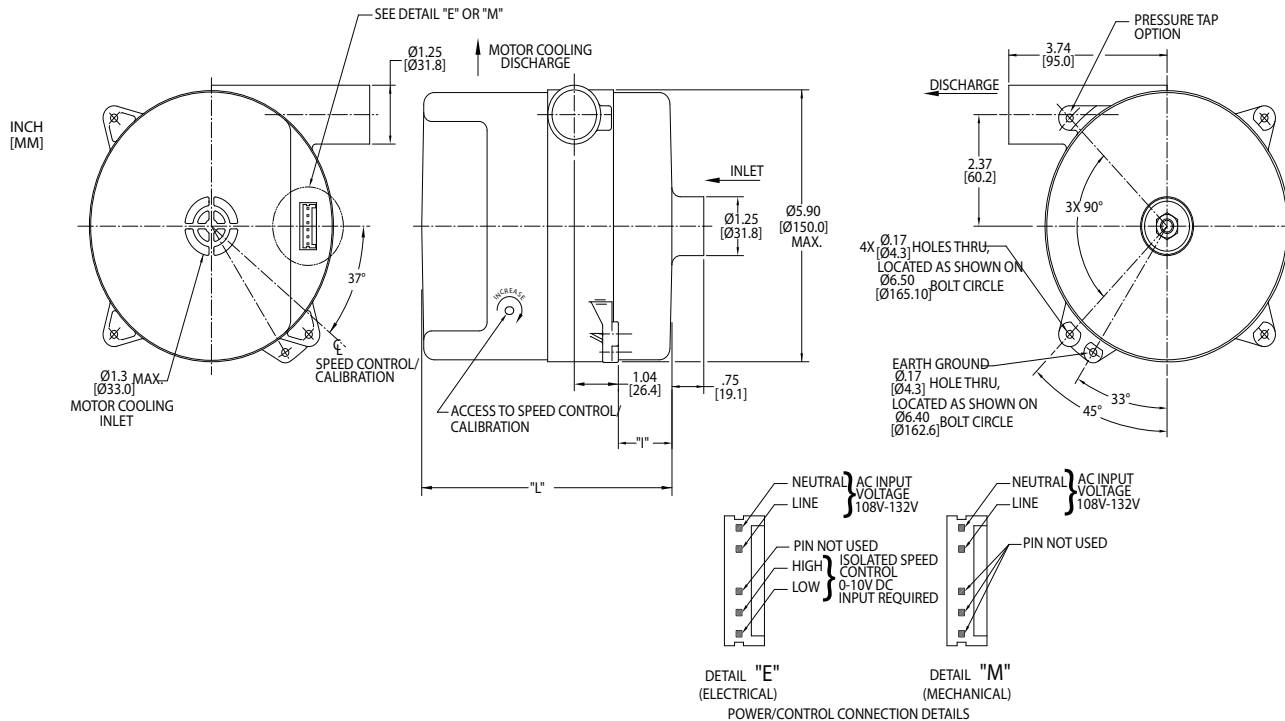


High Voltage Brushless DC Blowers

5.7" (145mm) BLDC Bypass Blower

250 Watt, 120 Volt Standard Flow



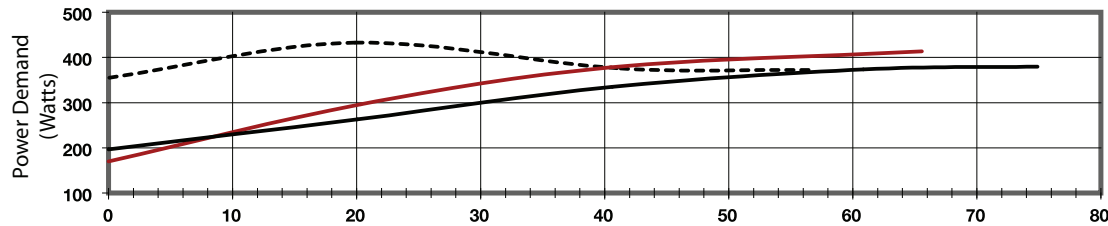
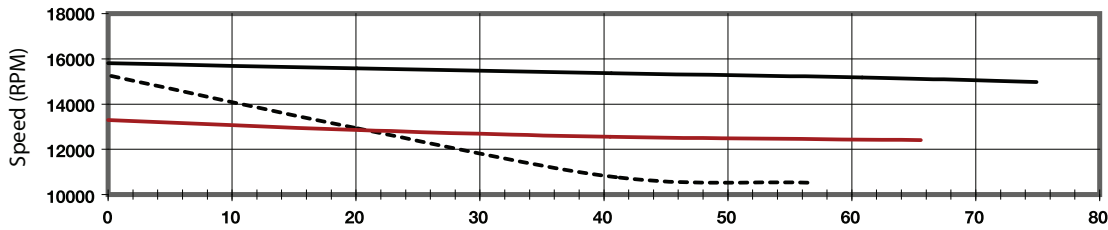
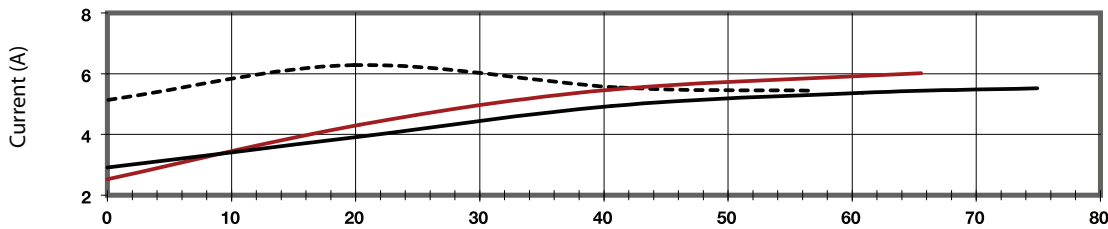
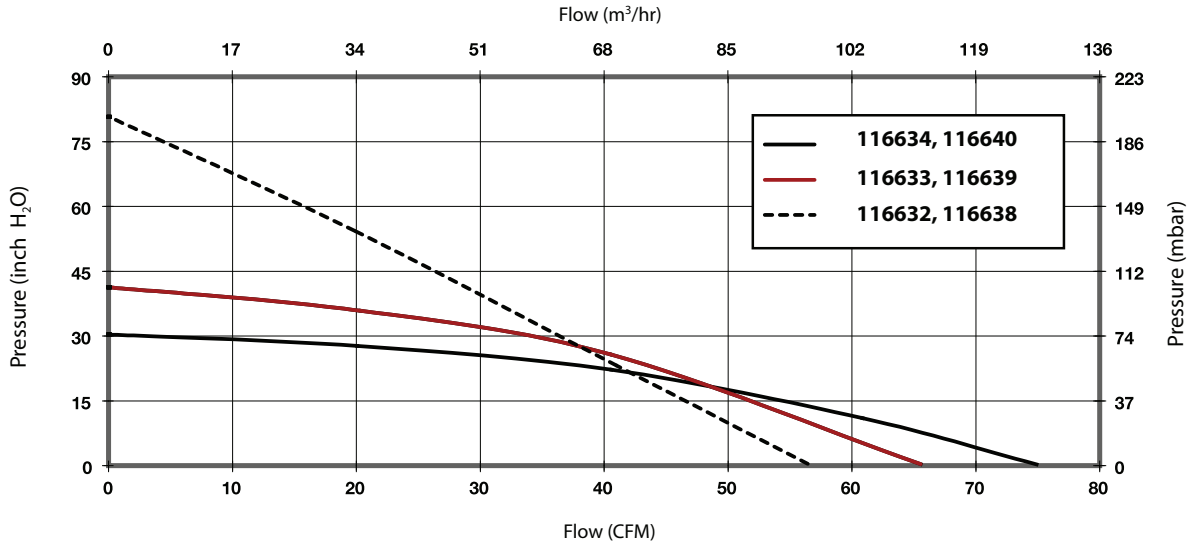
Specification	Units	Part/ Model Number					
		116634	116640	116633	116639	116632	116638
Stages	-	1	1	2	2	3	3
Max Sealed Vacuum	in. H2O	29.5	29.5	40.1	40.1	78.4	78.4
	mbar	73.5	73.5	99.9	99.9	195.3	195.3
Max Sealed Pressure	in. H2O	30.4	30.4	41.3	41.3	80.5	80.5
	mbar	75.7	75.7	102.9	102.9	200.5	200.5
Max Flow Rate	CFM	75.9	75.9	65.6	65.6	56.4	56.4
	m3/hr	129	129	111.5	111.5	95.9	95.9
Length (I)	Inches	0.33	0.33	1.25	1.25	2.14	2.14
	mm	8.4	8.4	31.8	31.8	54.4	54.4
Length (L)	Inches	5.08	5.08	6.35	6.35	6.89	6.89
	mm	129	129	161.3	161.3	175	175
Speed Control	-	Mechanical	Electrical	Mechanical	Electrical	Mechanical	Electrical

Notes:

- **Input Voltage Range:** 108-132 Volts AC RMS, 50/60 Hz., Single Phase.
- **Input Current:** 5 amps AC RMS
- **Operating Temperature (Ambient Air and Working Air):** 0° C to 50° C
- **Storage Temperature:** -40° C to 85° C
- **Dielectric Testing:** 1500 Volts AC RMS 60 Hz applied for one second between input pins and ground, 3mA leakage maximum.
- **Speed Control:** E (Electrical) Pulse Width Modification or Analog input voltage (user supplied), 0 to 10 Volts DC, 10mA maximum, 3 to 15 Volts DC. Access to sensitivity adjustment for 0 to 10 VDC speed control. (Ref. pin connection).
M (Mechanical): A potentiometer is available for speed control of the blower. The potentiometer can be preset for a specific speed. Access for speed adjustment located in blower housing.
- **Approximate Weight:** 6 Lbs. / 2.2 Kg.
- **Regulatory Agency Certification:** Underwriters Laboratories, Inc. qualified per UL507 under File E-94403. Canadian Standards Association qualified per C22.2#113 under File LR 43448.
- **Miscellaneous:** Intake and exhaust tubes, all cooling ducts and vents must not be obstructed. Intake and exhaust must be free of grease, oil and foreign particles. Amp housing 640250-6 w/SL-156 contacts (supplied by customer) mates with post header assembly. Mating harness available upon request. Optional IntelliGen™ controller available for customized performance and features including: tachometer output card; Universal AC input (100V-240V).

This document is for informational purposes only and should not be considered as a binding description of the products or their performance in all applications. The performance data on this page depicts typical performance under controlled laboratory conditions. AMETEK is not responsible for blowers driven beyond factory specified speed, temperature, pressure, flow or without proper alignment. Actual performance will vary depending on the operating environment and application. AMETEK products are not designed for and should not be used in medical life support applications. AMETEK reserves the right to revise its products without notification. The above characteristics represent standard products. For product designed to meet specific applications, contact AMETEK Dynamic Fluid Solutions Sales department.

Typical Performance



Data presented represents blower performance at STANDARD AIR DENSITY, .075 lb/ft³ (29.92" Hg, Sea Level, 68° F)
 Vacuum performance available upon request.

This document is for informational purposes only and should not be considered as a binding description of the products or their performance in all applications. The performance data on this page depicts typical performance under controlled laboratory conditions. AMETEK is not responsible for blowers driven beyond factory specified speed, temperature, pressure, flow or without proper alignment. Actual performance will vary depending on the operating environment and application. AMETEK products are not designed for and should not be used in medical life support applications. AMETEK reserves the right to revise its products without notification. The above characteristics represent standard products. For product designed to meet specific applications, contact AMETEK Dynamic Fluid Solutions Sales department.