

|                       |                        |                 |
|-----------------------|------------------------|-----------------|
| PROJECT: _____        | UNIT TAG: _____        | QUANTITY: _____ |
| REPRESENTATIVE: _____ | TYPE OF SERVICE: _____ | DATE: _____     |
| ENGINEER: _____       | SUBMITTED BY: _____    | DATE: _____     |
| CONTRACTOR: _____     | APPROVED BY: _____     | DATE: _____     |
|                       | ORDER NO.: _____       | DATE: _____     |

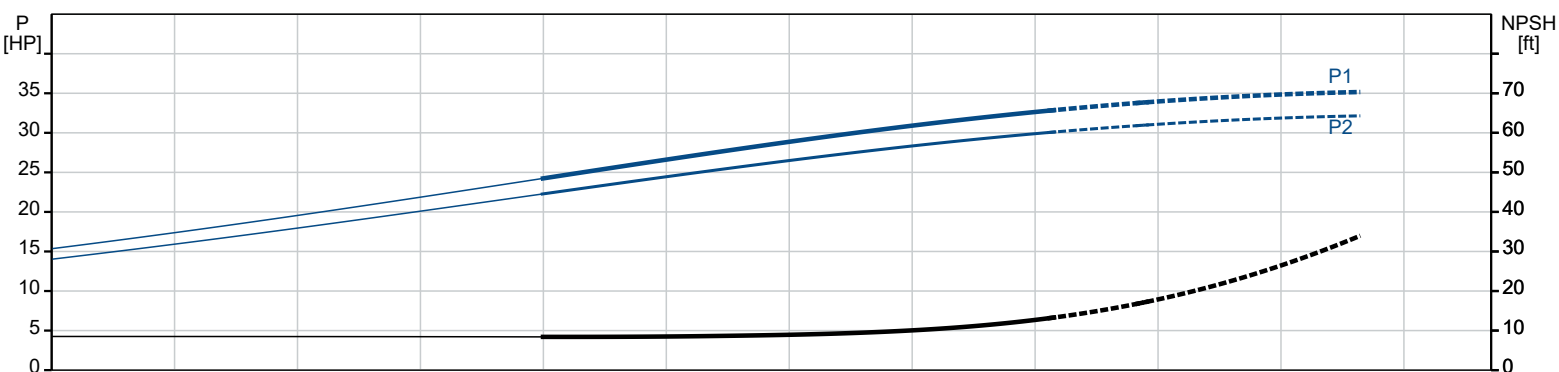
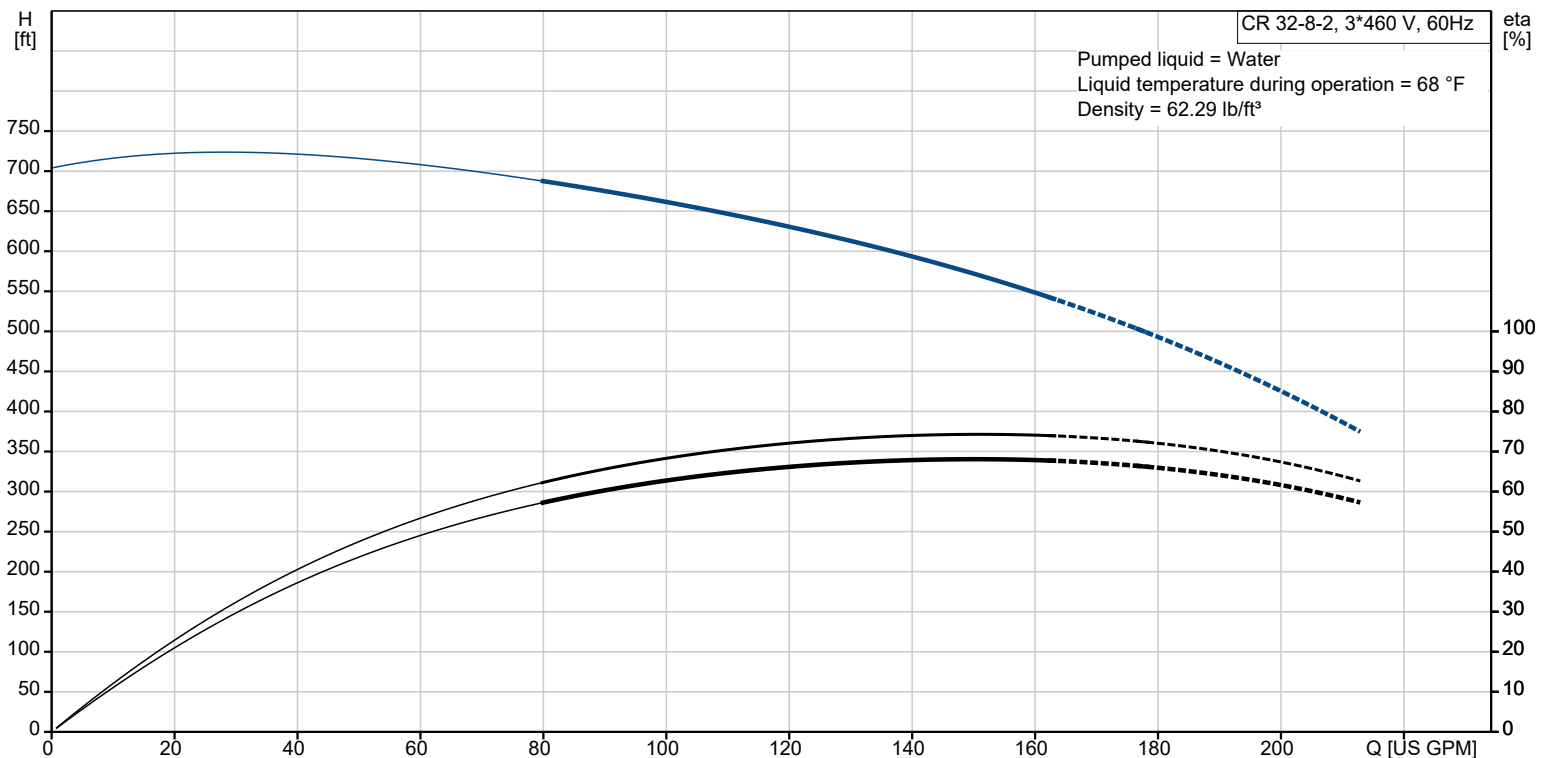


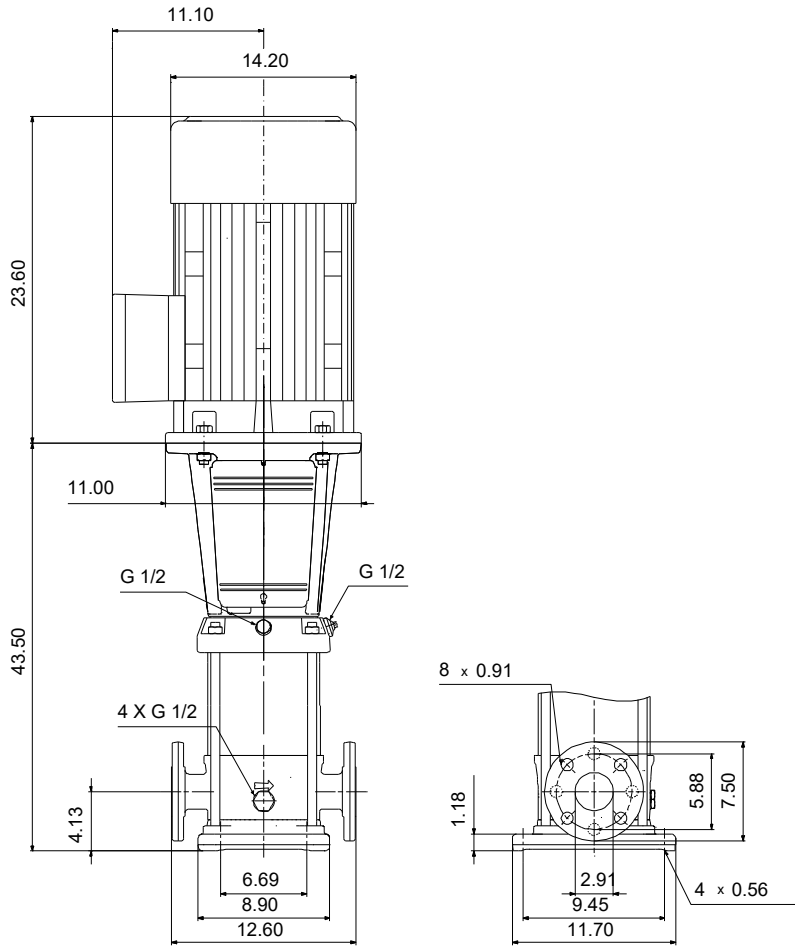
## CR 32-8-2 A-G-A-E-HQQE

Vertical, multistage centrifugal pump with suction and discharge ports on the same level. The pump head and base are in cast iron - all other wetted parts are in stainless steel (EN 1.4301)

Note! Product picture may differ from actual product

| Conditions of Service |       | Pump Data                    |                  | Motor Data        |           |
|-----------------------|-------|------------------------------|------------------|-------------------|-----------|
| Liquid:               | Water | Max pressure at stated temp: | 435 psi / 250 °F | Rated power - P2: | 30 HP     |
| Temperature:          | 68 °F | Liquid temperature range:    | -22 .. 248 °F    | Rated voltage:    | 230/460 V |
| Specific Gravity:     | 1.000 | Maximum ambient temperature: | 104 °F           | Mains frequency:  | 60 Hz     |
|                       |       | Shaft seal:                  | HQQE             | Enclosure class:  | IP55      |
|                       |       | Product number:              | 99917956         | Insulation class: | F         |
|                       |       |                              |                  | Motor protection: | NONE      |
|                       |       |                              |                  | Motor type:       | WEG       |
|                       |       |                              |                  | Eta 1/1:          | 91.7 %    |

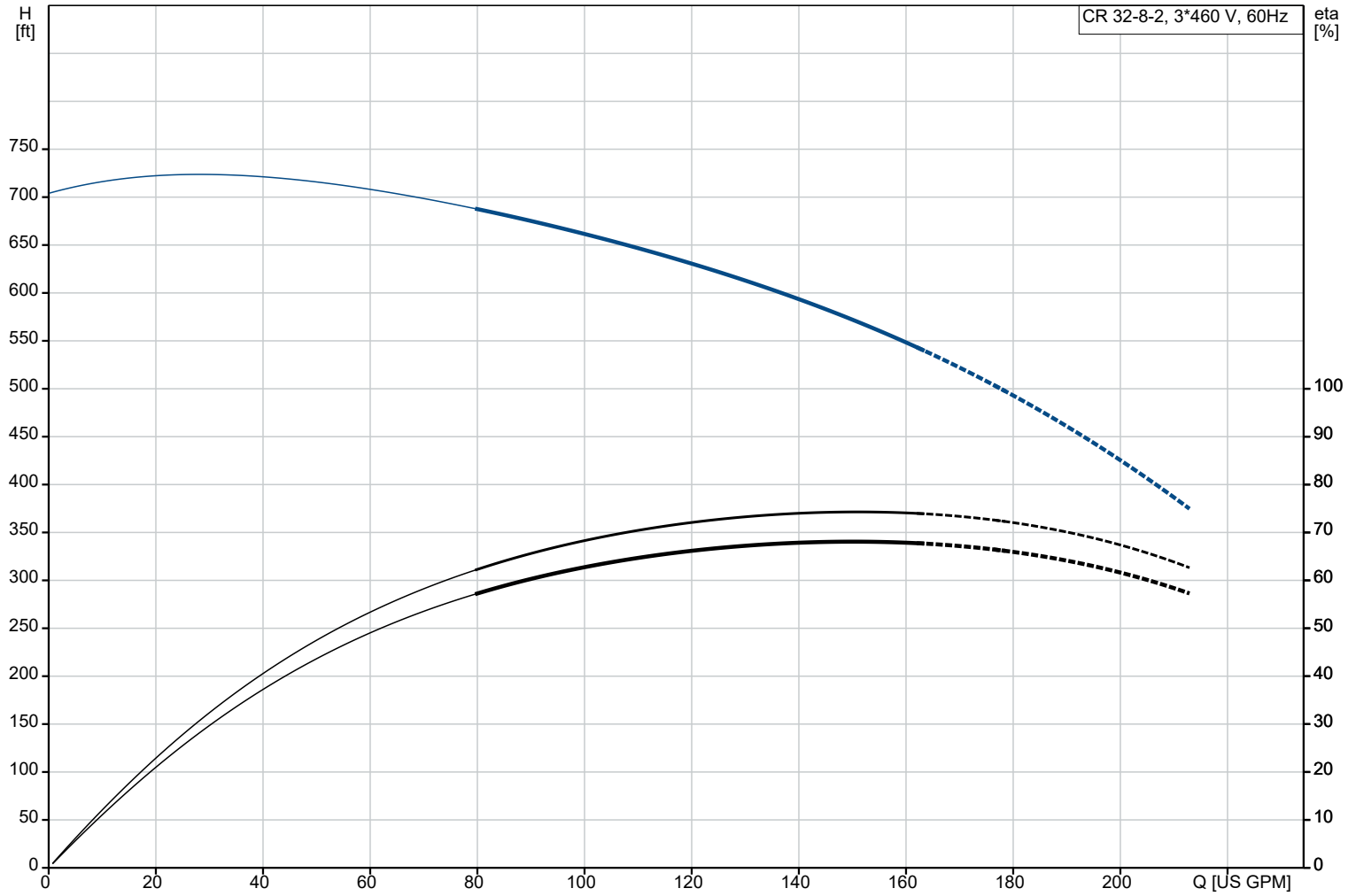




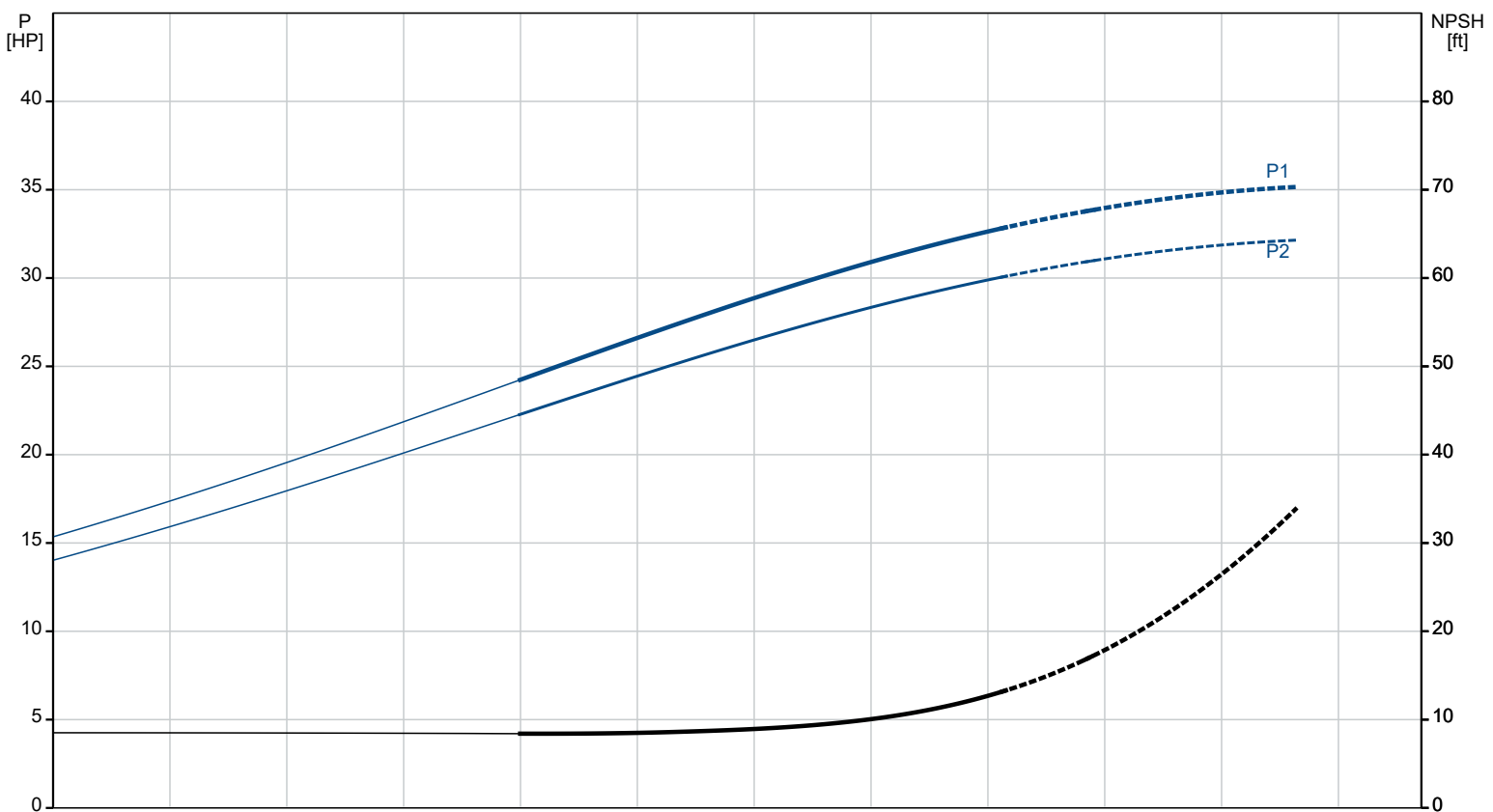
**Materials:**

Base: Cast iron  
 Base: EN 1563 EN-GJS-500-7  
 Base: ASTM A536 80-55-06  
 Impeller: Stainless steel  
 Impeller: AISI 304  
 Impeller: EN 1.4301  
 Material code: A  
 Code for rubber: E

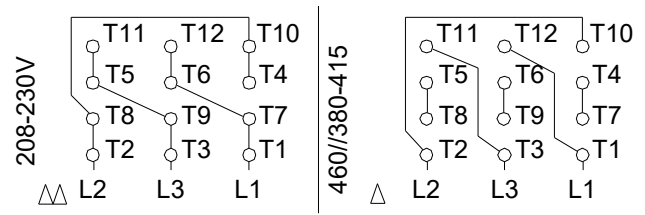
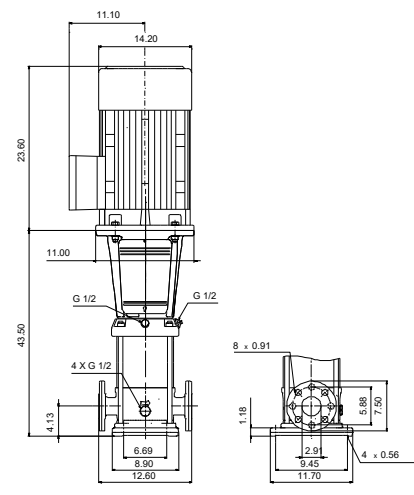
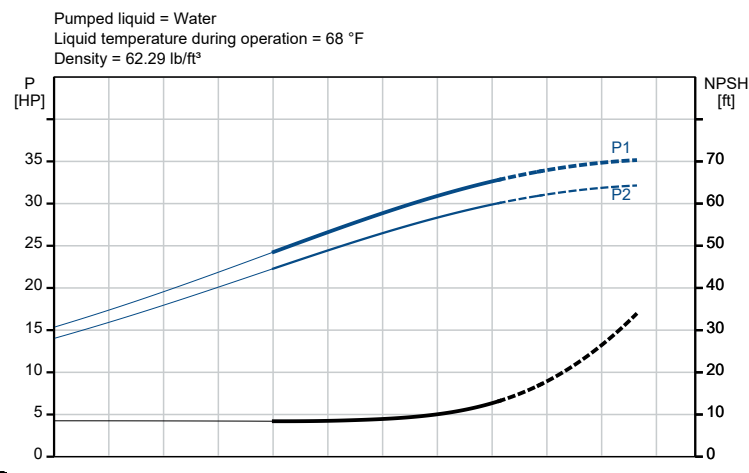
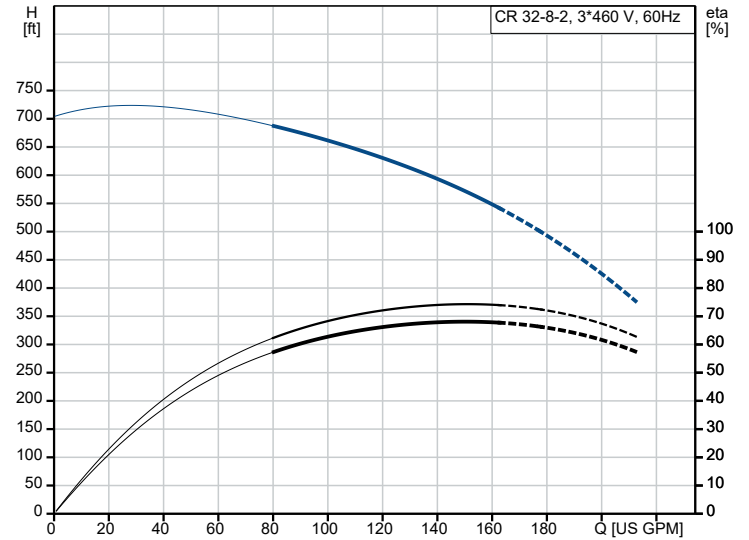
## 99917956 CR 32-8-2 A-G-A-E-HQQE 60 Hz



Pumped liquid = Water  
 Liquid temperature during operation = 68 °F  
 Density = 62.29 lb/ft<sup>3</sup>



| Description                              | Value                    |
|------------------------------------------|--------------------------|
| <b>General information:</b>              |                          |
| Product name:                            | CR 32-8-2 A-G-A-E-HQQE   |
| Product No:                              | 99917956                 |
| EAN number:                              | 5715114128070            |
| <b>Technical:</b>                        |                          |
| Pump speed on which pump data are based: | 3541 rpm                 |
| Rated flow:                              | 159 US GPM               |
| Rated head:                              | 557.8 ft                 |
| Maximum head:                            | 705.4 ft                 |
| Actual impeller diameter:                | 4.66 in                  |
| Stages:                                  | 8                        |
| Impellers:                               | 8                        |
| Number of reduced-diameter impellers:    | 2                        |
| Low NPSH:                                | N                        |
| Pump orientation:                        | Vertical                 |
| Shaft seal arrangement:                  | Single                   |
| Code for shaft seal:                     | HQQE                     |
| Approvals:                               | CURUS                    |
| Approvals for drinking water:            | NSF/ANSI 61              |
| Curve tolerance:                         | ISO9906:2012 3B          |
| Pump version:                            | A                        |
| Model:                                   | B                        |
| Cooling:                                 | IC 411                   |
| <b>Materials:</b>                        |                          |
| Base:                                    | Cast iron                |
| Base:                                    | EN 1563 EN-GJS-500-7     |
| Base:                                    | ASTM A536 80-55-06       |
| Impeller:                                | Stainless steel          |
| Impeller:                                | EN 1.4301                |
| Impeller:                                | AISI 304                 |
| Material code:                           | A                        |
| Code for rubber:                         | E                        |
| Bearing:                                 | SIC                      |
| Support bearing:                         | Graflon                  |
| <b>Installation:</b>                     |                          |
| Maximum ambient temperature:             | 104 °F                   |
| Maximum operating pressure:              | 435.11 psi               |
| Max pressure at stated temp:             | 435 psi / 250 °F         |
| Max pressure at stated temp:             | 435 psi / -22 °F         |
| Type of connection:                      | ANSI                     |
| Size of inlet connection:                | 2 1/2 inch               |
| Size of outlet connection:               | 2 1/2 inch               |
| Pressure rating for connection:          | PN 40                    |
| Flange rating inlet:                     | 300 lb                   |
| Flange size for motor:                   | 284TC                    |
| Connect code:                            | G                        |
| <b>Liquid:</b>                           |                          |
| Pumped liquid:                           | Water                    |
| Liquid temperature range:                | -22 ... 248 °F           |
| Selected liquid temperature:             | 68 °F                    |
| Density:                                 | 62.29 lb/ft <sup>3</sup> |
| <b>Electrical data:</b>                  |                          |
| Motor standard:                          | NEMA                     |
| Motor type:                              | WEG                      |
| Rated power - P2:                        | 30 HP                    |
| Power (P2) required by pump:             | 30 HP                    |
| KVA code:                                | G                        |
| Mains frequency:                         | 60 Hz                    |
| Rated voltage:                           | 3 x 230/460 V            |
| Service factor:                          | 1.25                     |
| Rated current:                           | 67.6/33.8 A              |
| Starting current:                        | 630 %                    |
| Full load SF current:                    | 84.5/42.3 A              |
| Cos phi - power factor:                  | 0.89                     |
| Rated speed:                             | 3540 rpm                 |





Company name: Optimal

Created by:

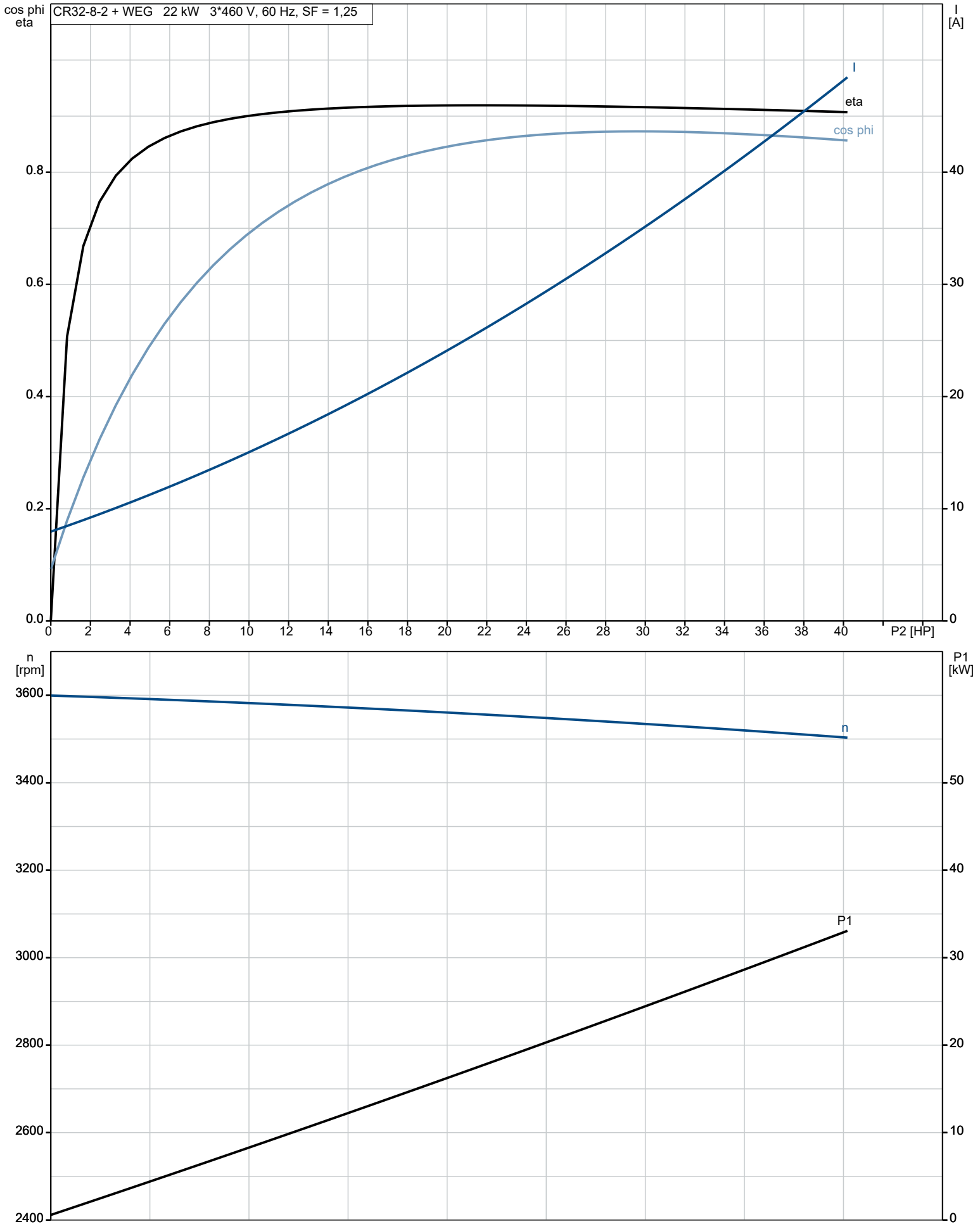
Phone:

Date:

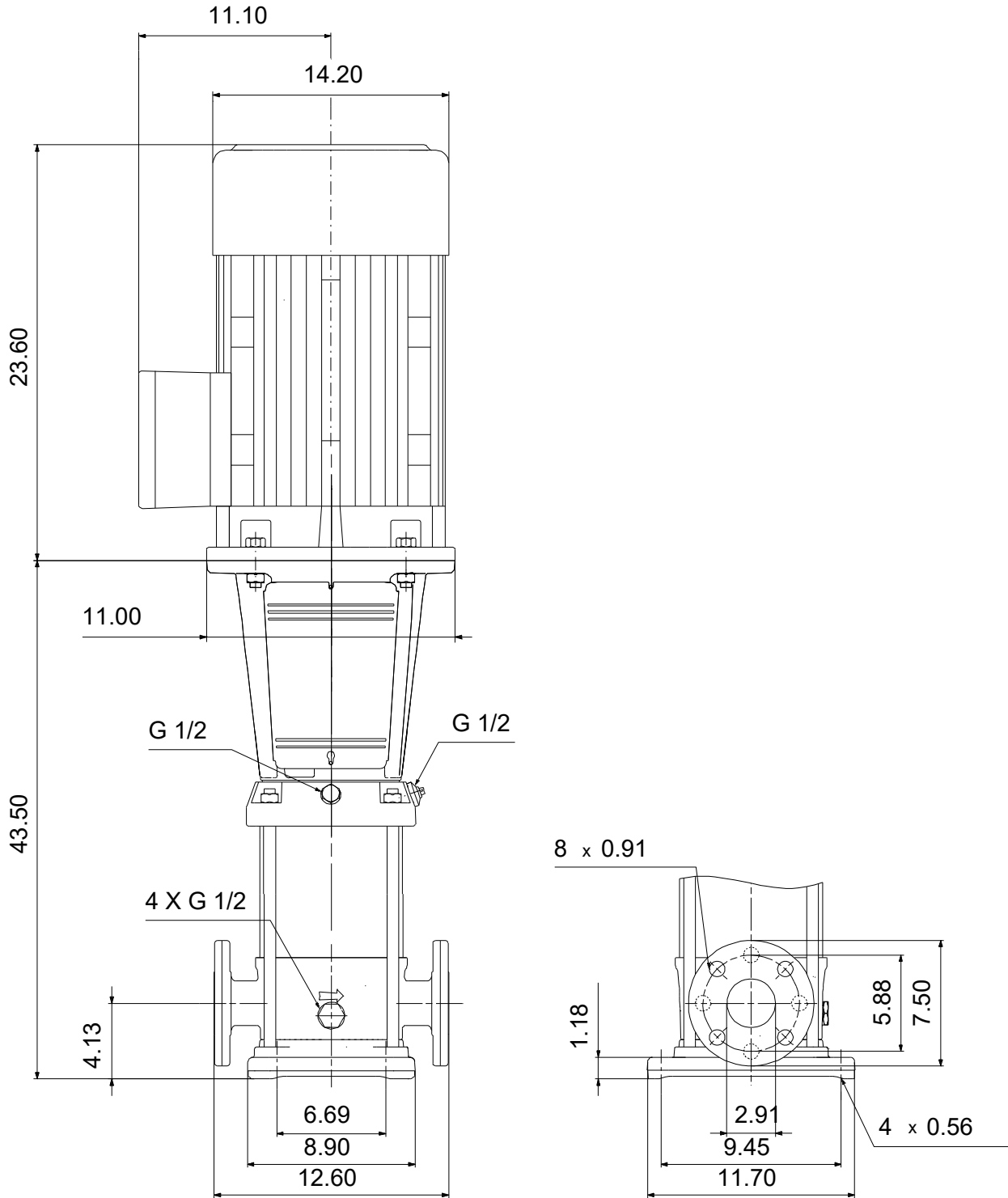
21/07/2023

| Description                    | Value                |
|--------------------------------|----------------------|
| IE efficiency:                 | IE3 91,7%            |
| IE Efficiency class:           | IE3 / NEMA Premium   |
| Motor efficiency at full load: | 91.7 %               |
| Motor efficiency at 3/4 load:  | 91.7 %               |
| Motor efficiency at 1/2 load:  | 91.7 %               |
| Number of poles:               | 2                    |
| Enclosure class (IEC 34-5):    | IP55                 |
| Insulation class (IEC 85):     | F                    |
| Built-in motor protection:     | NONE                 |
| Motor No:                      | 99882384             |
| <b>Controls:</b>               |                      |
| Frequency converter:           | NONE                 |
| <b>Others:</b>                 |                      |
| DOE Pump Energy Index CL:      | 0.87                 |
| Net weight:                    | 586 lb               |
| Gross weight:                  | 604 lb               |
| Shipping volume:               | 28.4 ft <sup>3</sup> |

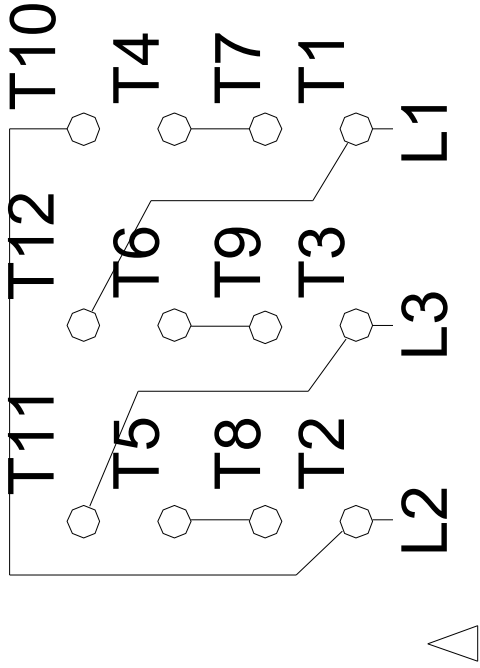
## 99917956 CR 32-8-2 A-G-A-E-HQQE 60 Hz



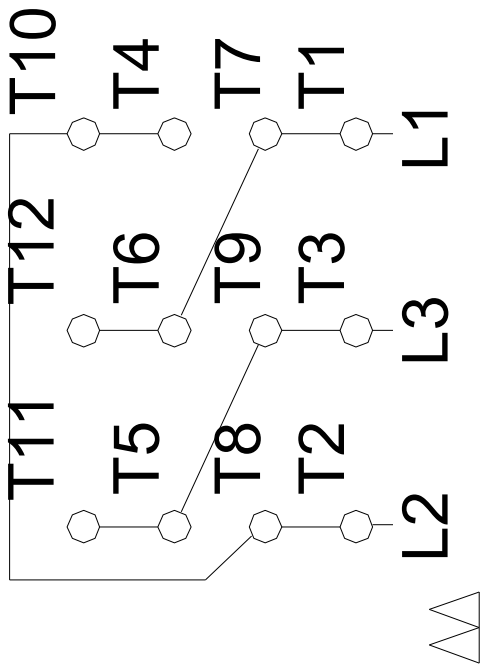
## 99917956 CR 32-8-2 A-G-A-E-HQQE 60 Hz



## 99917956 CR 32-8-2 A-G-A-E-HQQE 60 Hz



460//380-415



208-230V