

PROJECT: _____	UNIT TAG: _____	QUANTITY: _____
REPRESENTATIVE: _____	TYPE OF SERVICE: _____	DATE: _____
ENGINEER: _____	SUBMITTED BY: _____	DATE: _____
CONTRACTOR: _____	APPROVED BY: _____	DATE: _____
	ORDER NO.: _____	DATE: _____

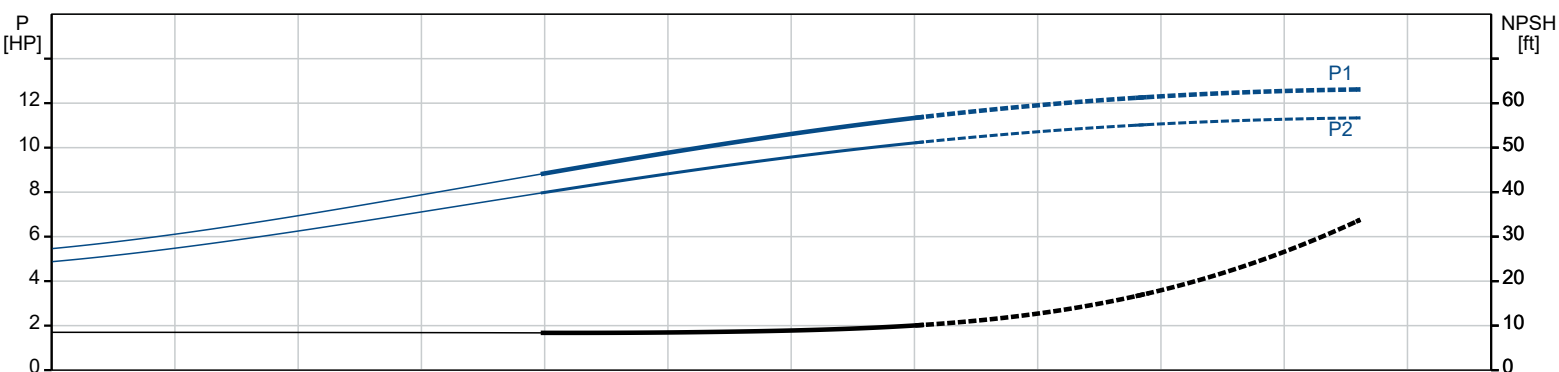
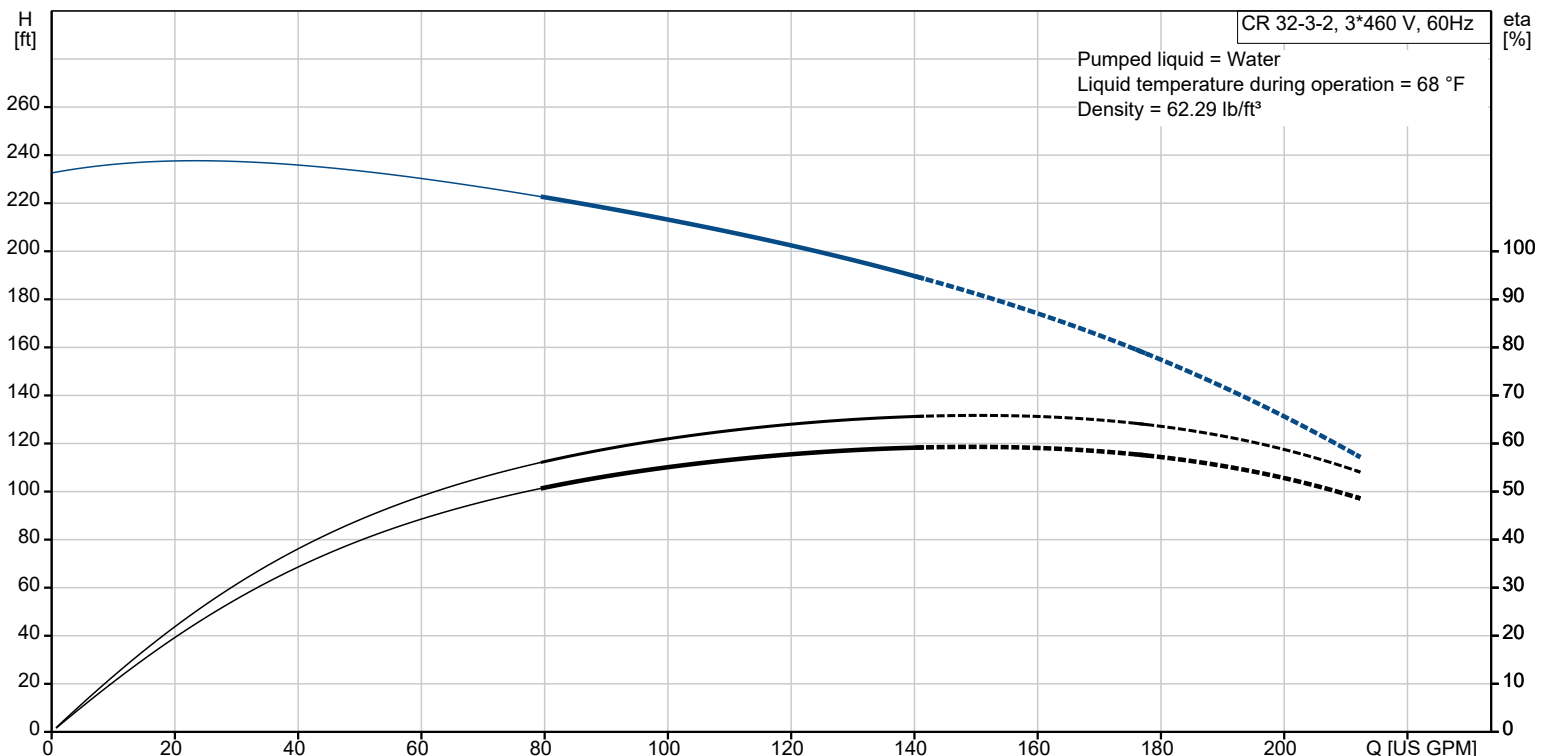


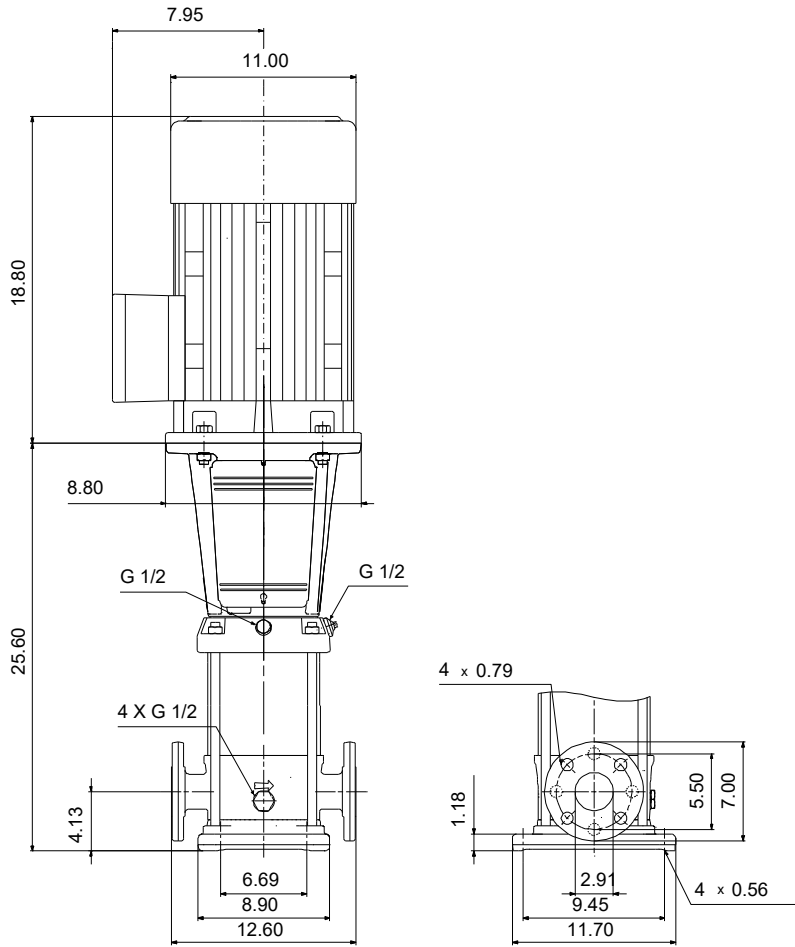
## CR 32-3-2 A-G-A-E-HQQE

Vertical, multistage centrifugal pump with suction and discharge ports on the same level. The pump head and base are in cast iron - all other wetted parts are in stainless steel (EN 1.4301)

Note! Product picture may differ from actual product

Conditions of Service		Pump Data		Motor Data	
Liquid:	Water	Max pressure at stated temp:	232 psi / 250 °F	Rated power - P2:	10 HP
Temperature:	68 °F	Liquid temperature range:	-22 .. 248 °F	Rated voltage:	230/460 V
Specific Gravity:	1.000	Maximum ambient temperature:	104 °F	Mains frequency:	60 Hz
		Shaft seal:	HQQE	Enclosure class:	IP55
		Product number:	99917946	Insulation class:	F
				Motor protection:	NONE
				Motor type:	WEG
				Eta 1/1:	90.2 %

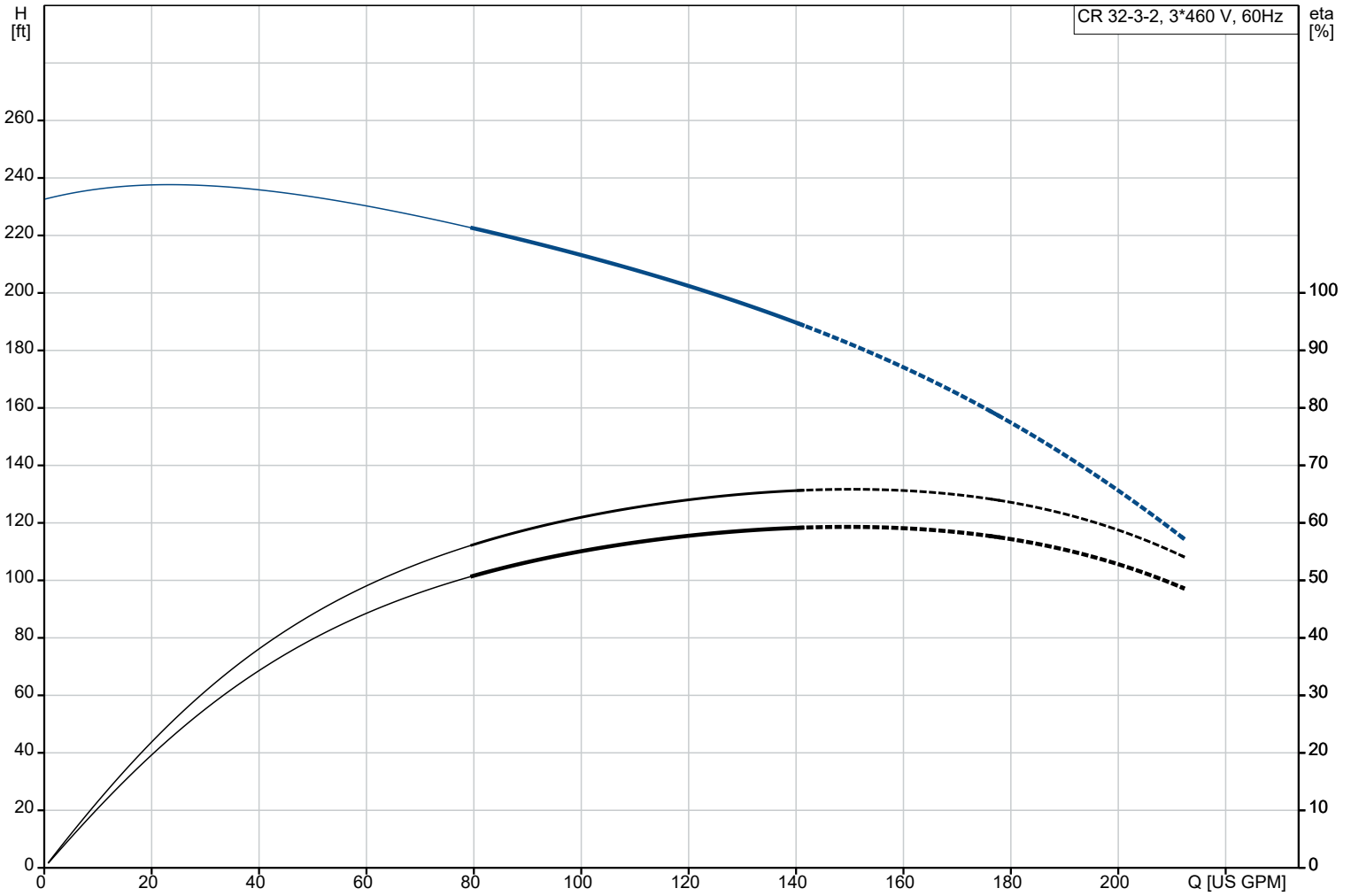




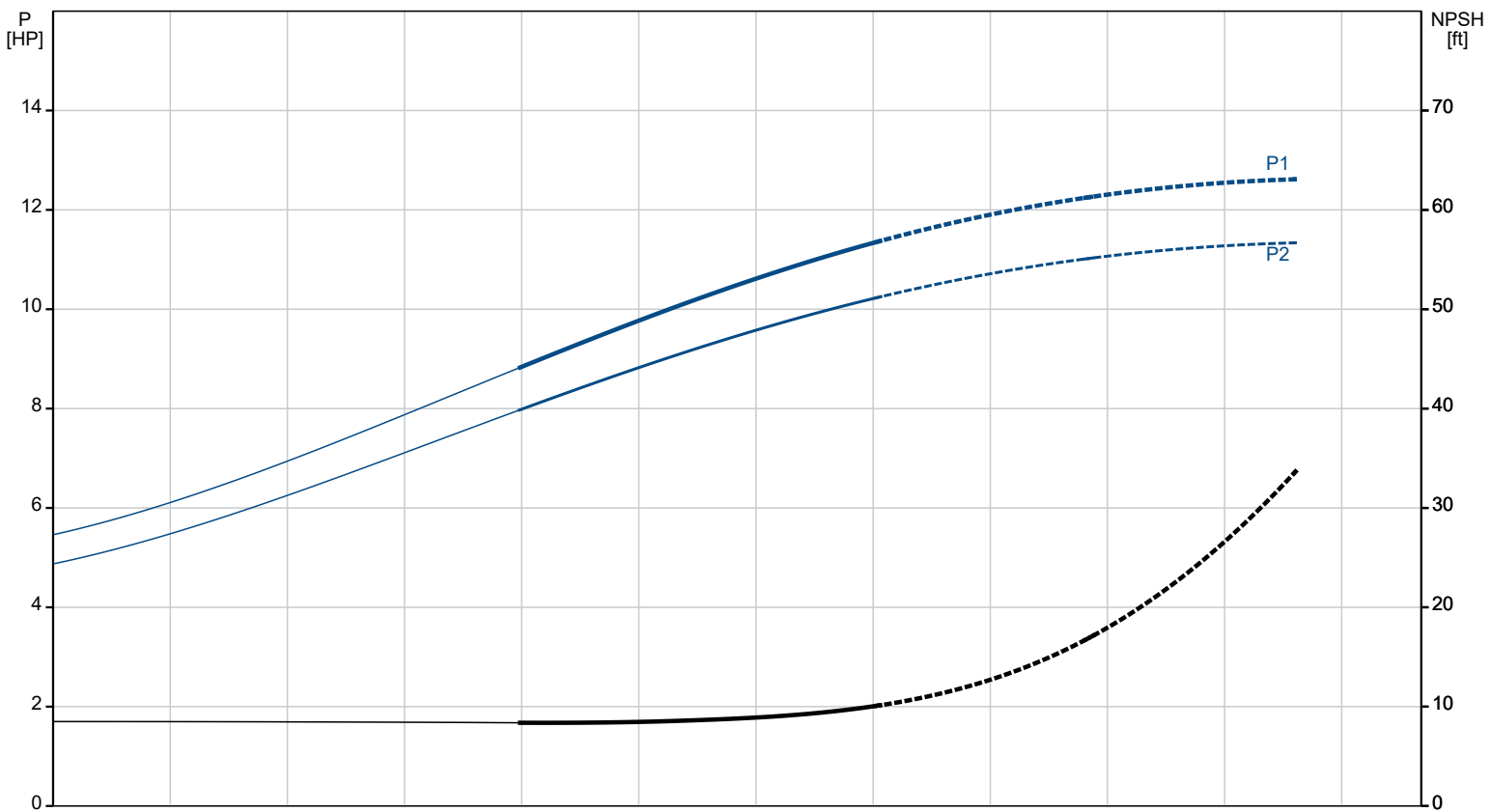
**Materials:**

Base: Cast iron  
 Base: EN 1563 EN-GJS-500-7  
 Base: ASTM A536 80-55-06  
 Impeller: Stainless steel  
 Impeller: AISI 304  
 Impeller: EN 1.4301  
 Material code: A  
 Code for rubber: E

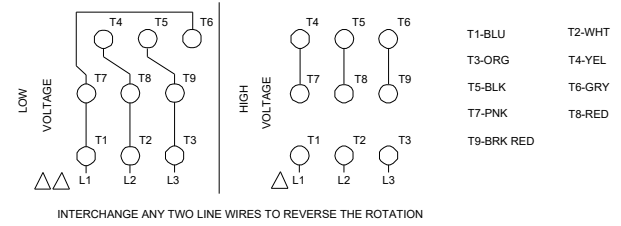
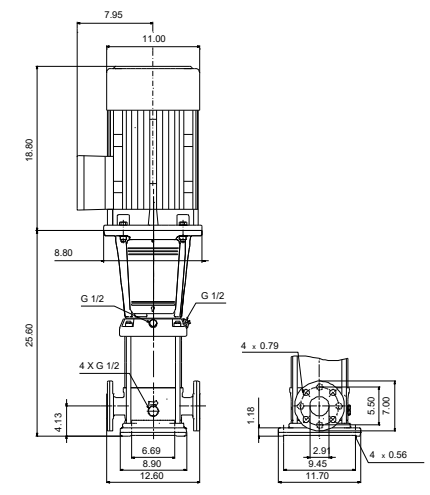
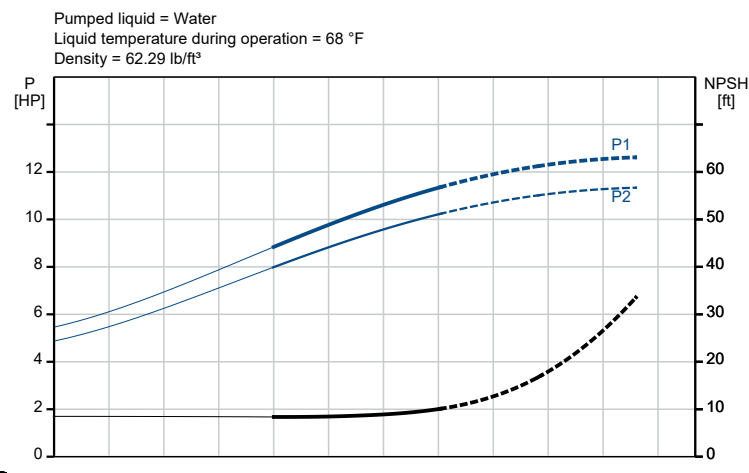
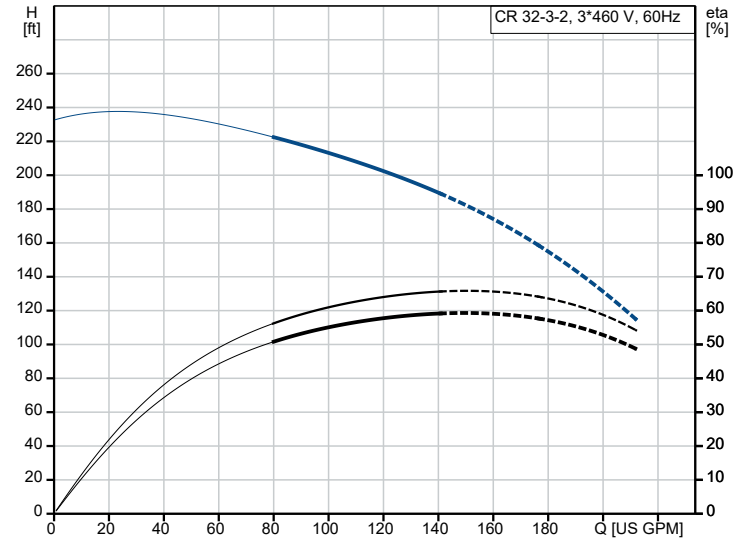
## 99917946 CR 32-3-2 A-G-A-E-HQQE 60 Hz



Pumped liquid = Water  
 Liquid temperature during operation = 68 °F  
 Density = 62.29 lb/ft<sup>3</sup>



Description	Value
<b>General information:</b>	
Product name:	CR 32-3-2 A-G-A-E-HQQE
Product No:	99917946
EAN number:	5715114127875
<b>Technical:</b>	
Pump speed on which pump data are based:	3470 rpm
Rated flow:	159 US GPM
Rated head:	180.1 ft
Maximum head:	241.5 ft
Actual impeller diameter:	4.66 in
Stages:	3
Impellers:	3
Number of reduced-diameter impellers:	2
Low NPSH:	N
Pump orientation:	Vertical
Shaft seal arrangement:	Single
Code for shaft seal:	HQQE
Approvals:	CURUS
Approvals for drinking water:	NSF/ANSI 61
Curve tolerance:	ISO9906:2012 3B
Pump version:	A
Model:	B
Cooling:	IC 411
<b>Materials:</b>	
Base:	Cast iron
Base:	EN 1563 EN-GJS-500-7
Base:	ASTM A536 80-55-06
Impeller:	Stainless steel
Impeller:	EN 1.4301
Impeller:	AISI 304
Material code:	A
Code for rubber:	E
Bearing:	SIC
Support bearing:	Graflon
<b>Installation:</b>	
Maximum ambient temperature:	104 °F
Maximum operating pressure:	232.06 psi
Max pressure at stated temp:	232 psi / 250 °F
Max pressure at stated temp:	232 psi / -22 °F
Type of connection:	ANSI
Size of inlet connection:	2 1/2 inch
Size of outlet connection:	2 1/2 inch
Pressure rating for connection:	PN 16
Flange rating inlet:	150 lb
Flange size for motor:	213TC
Connect code:	G
<b>Liquid:</b>	
Pumped liquid:	Water
Liquid temperature range:	-22 ... 248 °F
Selected liquid temperature:	68 °F
Density:	62.29 lb/ft <sup>3</sup>
<b>Electrical data:</b>	
Motor standard:	NEMA
Motor type:	WEG
Rated power - P2:	10 HP
Power (P2) required by pump:	10 HP
KVA code:	J
Mains frequency:	60 Hz
Rated voltage:	3 x 230/460 V
Service factor:	1.15
Rated current:	23.0/11.5 A
Starting current:	750 %
Full load SF current:	26.5/13.2 A
Cos phi - power factor:	0.91
Rated speed:	3530 rpm





Company name: Optimal

Created by:

Phone:

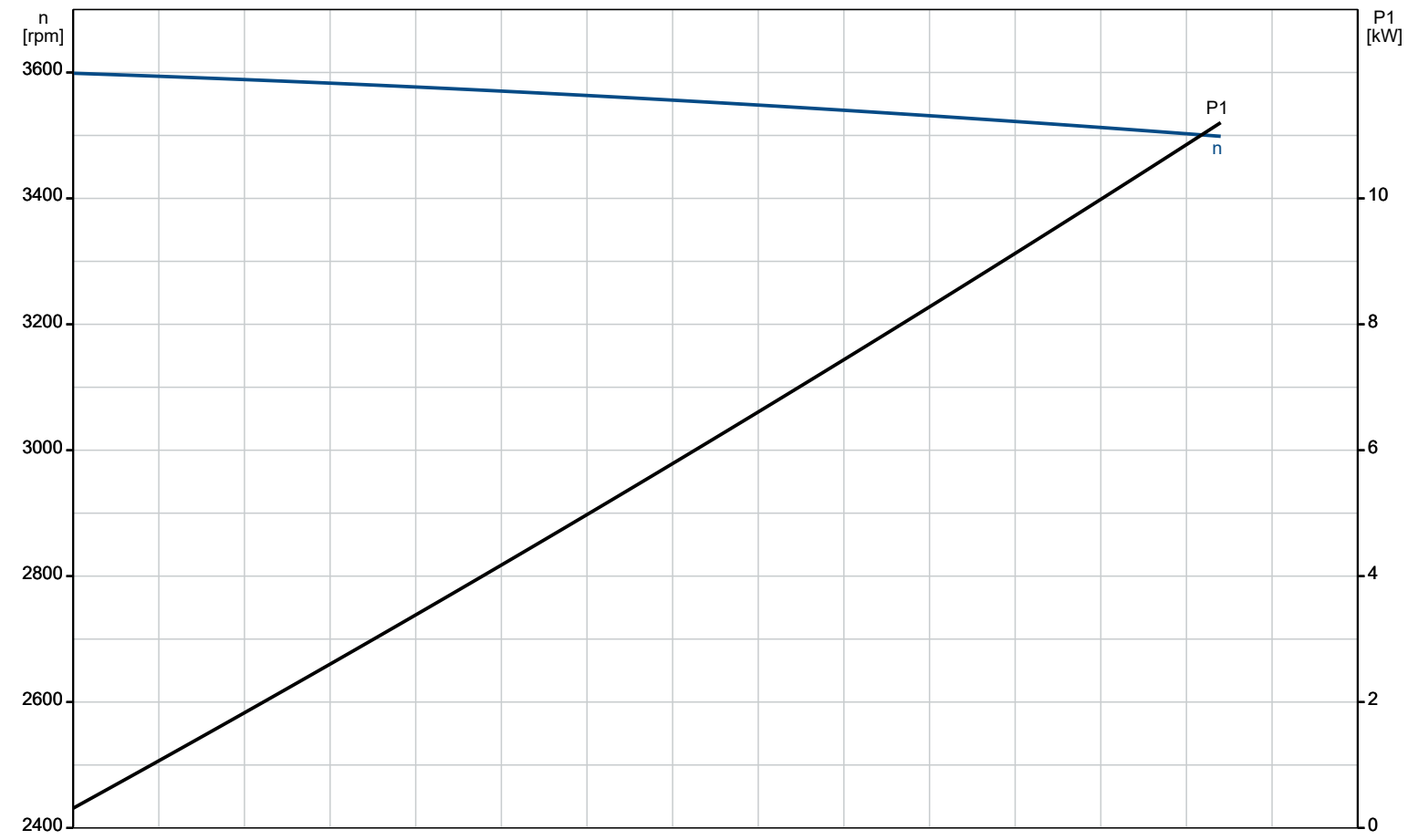
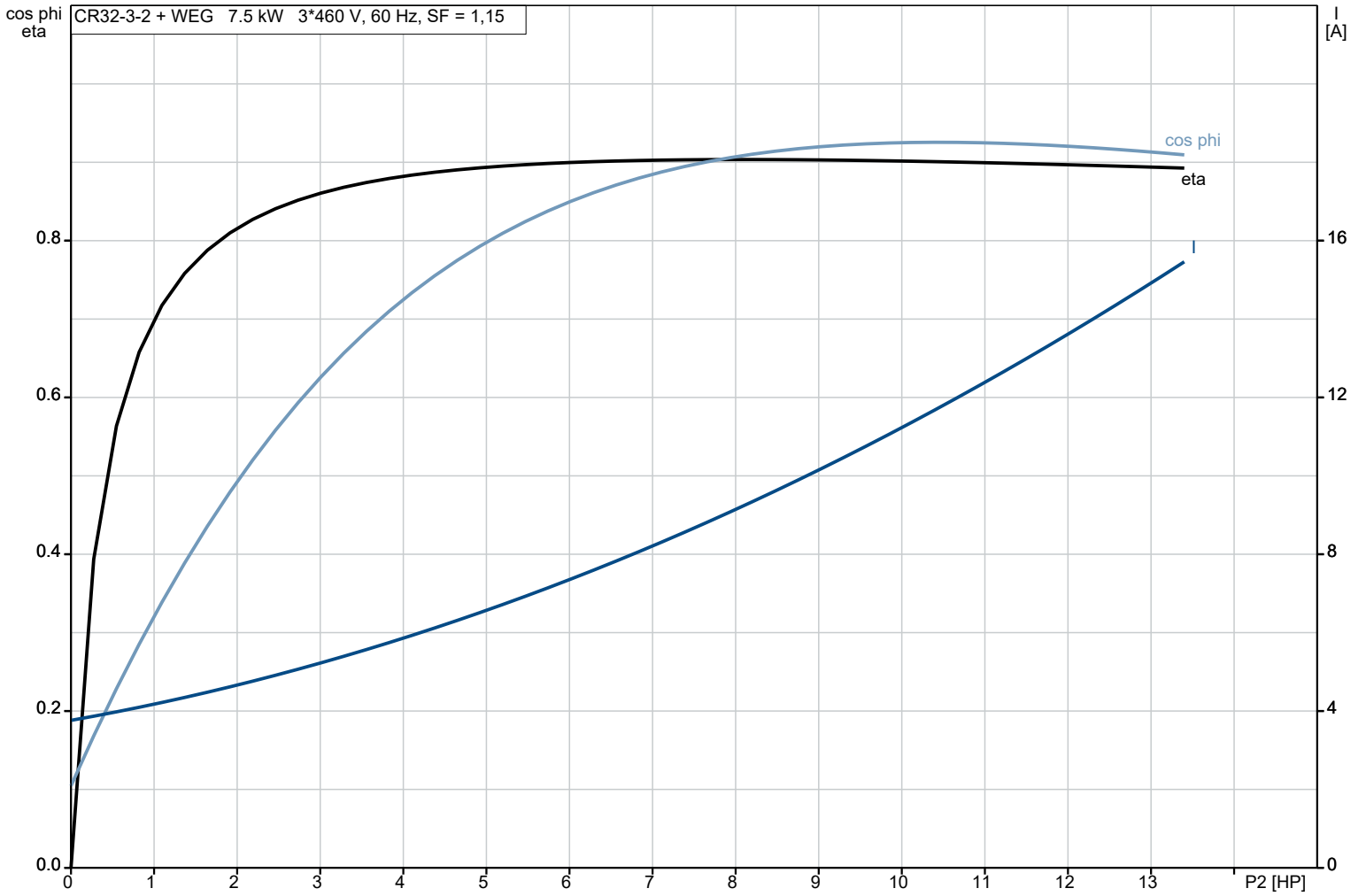
Date:

21/07/2023

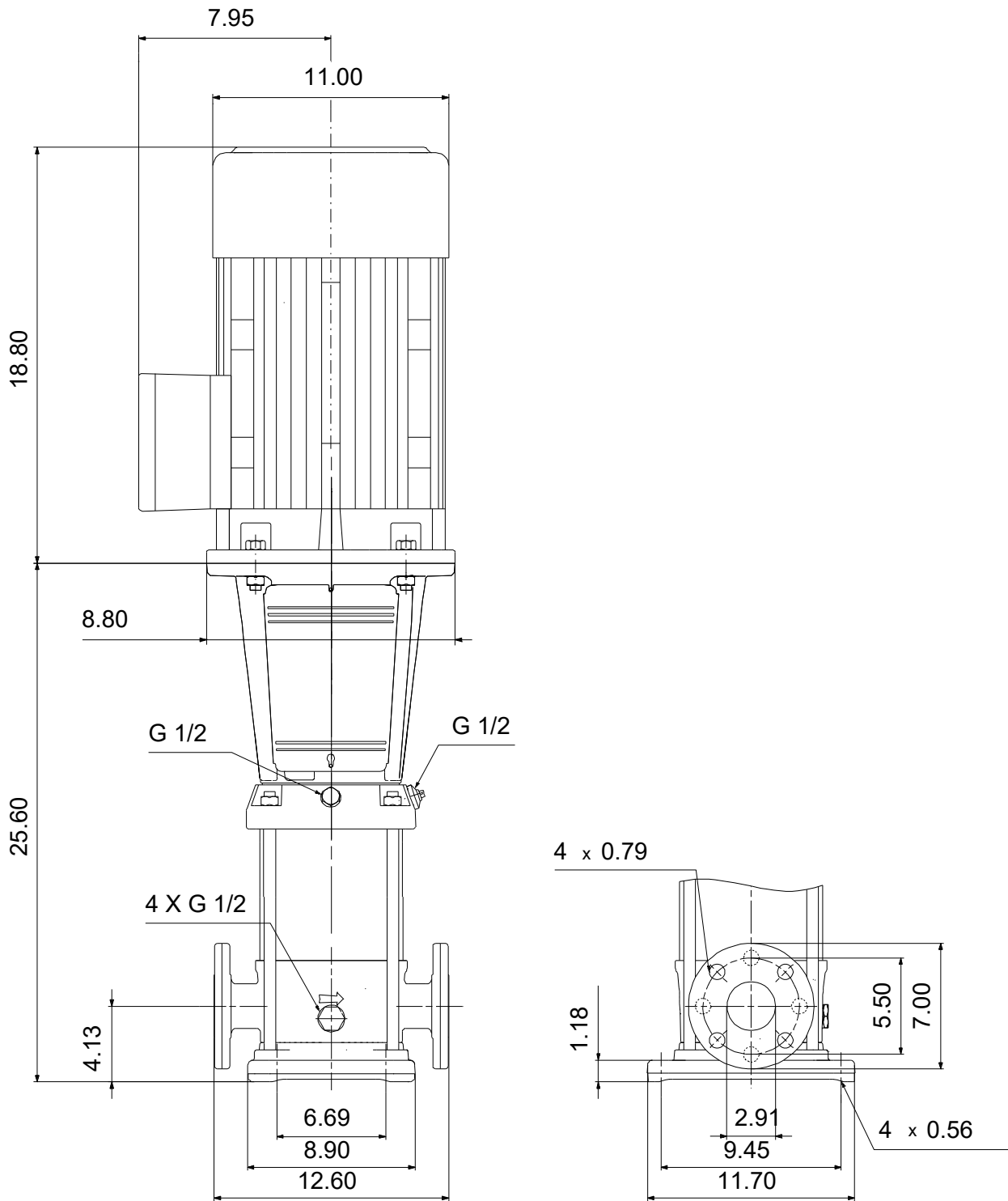
Description	Value
IE efficiency:	IE3 90,2%
IE Efficiency class:	IE3 / NEMA Premium
Motor efficiency at full load:	90.2 %
Motor efficiency at 3/4 load:	90.2 %
Motor efficiency at 1/2 load:	89.5 %
Number of poles:	2
Enclosure class (IEC 34-5):	IP55
Insulation class (IEC 85):	F
Built-in motor protection:	NONE
Motor No:	99883246
<b>Controls:</b>	
Frequency converter:	NONE
<b>Others:</b>	
DOE Pump Energy Index CL:	0.87
Net weight:	295 lb
Gross weight:	313 lb
Shipping volume:	17.5 ft <sup>3</sup>

## 99917946 CR 32-3-2 A-G-A-E-HQQE 60 Hz

CR32-3-2 + WEG 7.5 kW 3\*460 V, 60 Hz, SF = 1,15



## 99917946 CR 32-3-2 A-G-A-E-HQQE 60 Hz



## 99917946 CR 32-3-2 A-G-A-E-HQQE 60 Hz

T2-WHT  
 T4-YEL  
 T6-GRY  
 T8-RED

T1-BLU  
 T3-ORG  
 T5-BLK  
 T7-PNK  
 T9-BRK RED

