

PROJECT: _____	UNIT TAG: _____	QUANTITY: _____
REPRESENTATIVE: _____	TYPE OF SERVICE: _____	DATE: _____
ENGINEER: _____	SUBMITTED BY: _____	DATE: _____
CONTRACTOR: _____	APPROVED BY: _____	DATE: _____
	ORDER NO.: _____	DATE: _____

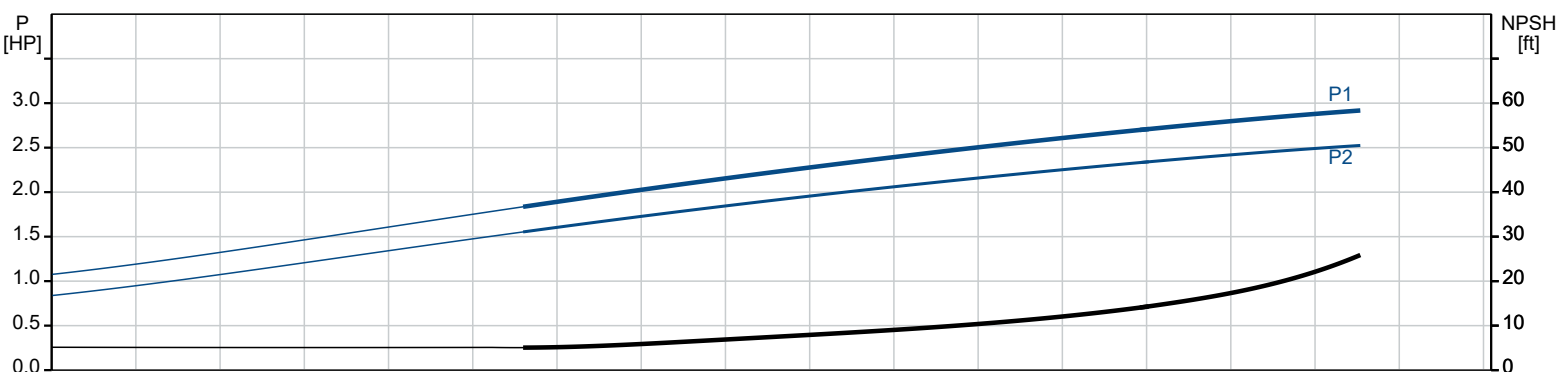
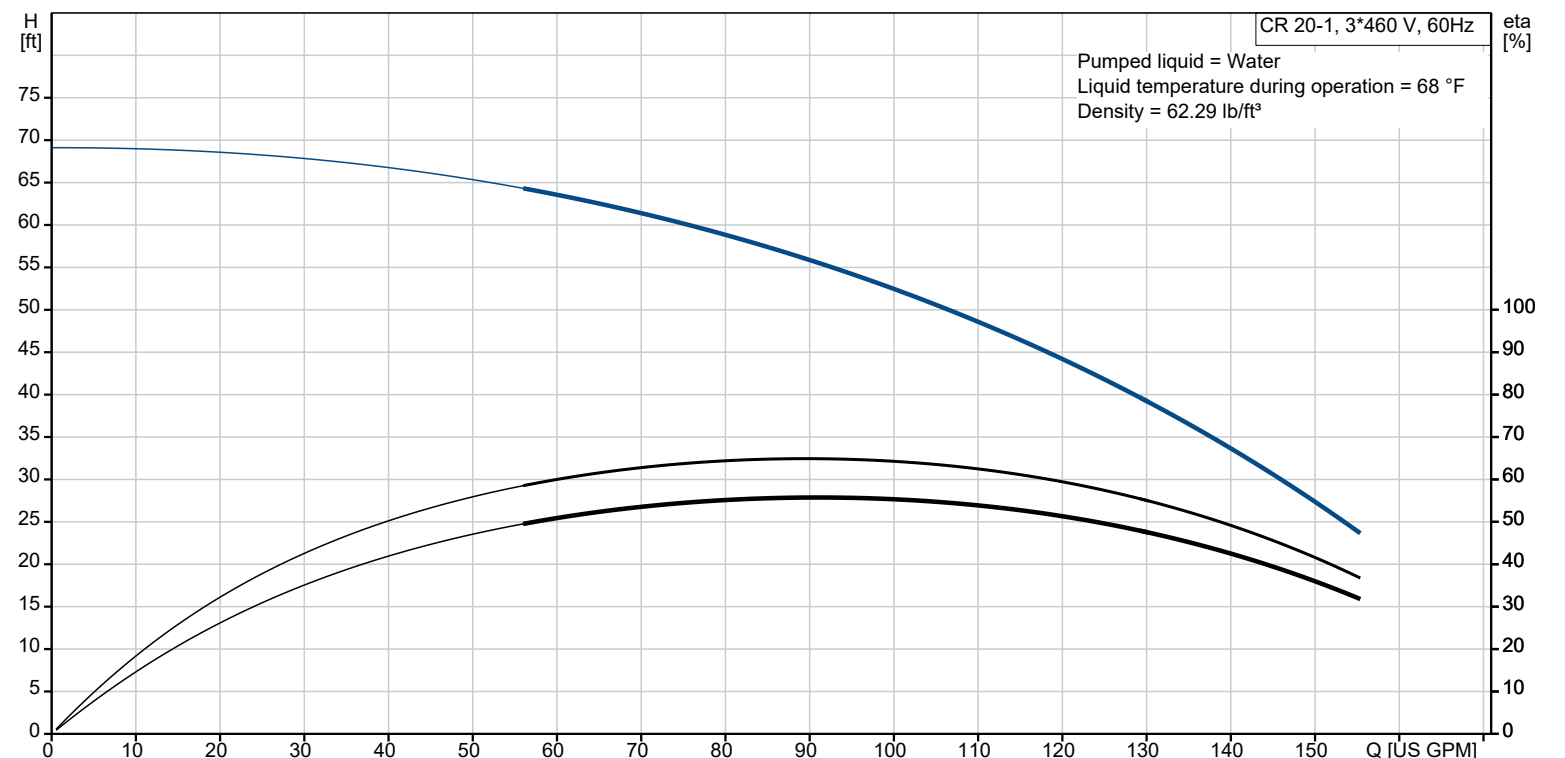


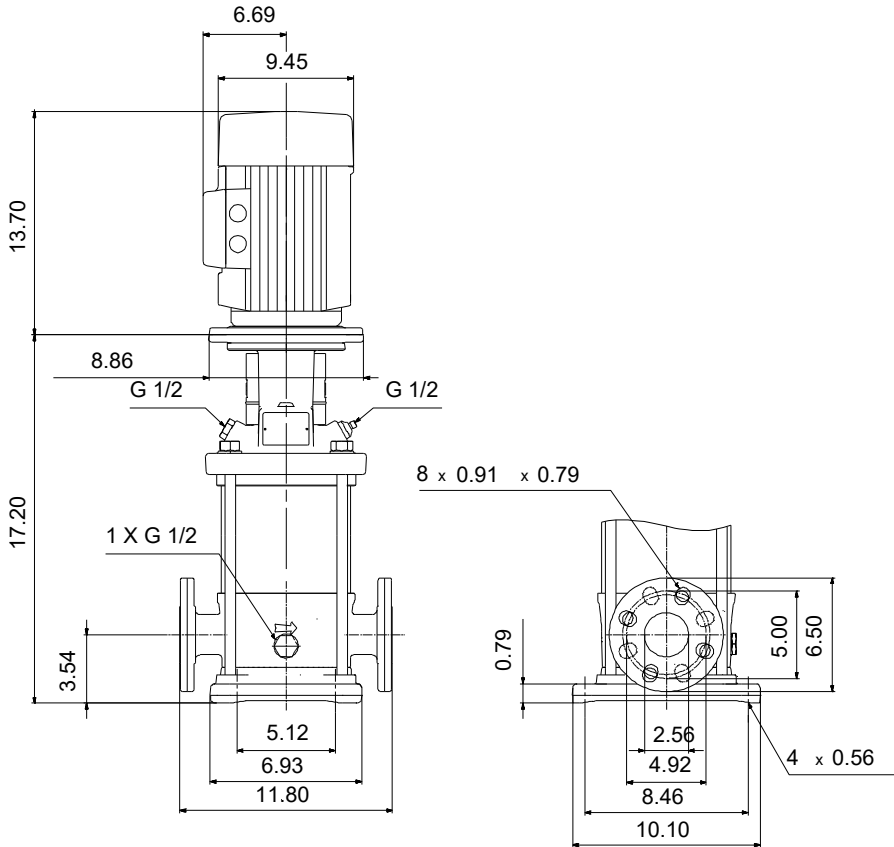
## CR 20-1 A-GJ-A-E-HQQE

Vertical, multistage centrifugal pump with suction and discharge ports on the same level. The pump head and base are in cast iron - all other wetted parts are in stainless steel (EN 1.4301)

Note! Product picture may differ from actual product

Conditions of Service		Pump Data		Motor Data	
Liquid:	Water	Max pressure at stated temp:	232 psi / 250 °F	Rated power - P2:	3 HP
Temperature:	68 °F	Liquid temperature range:	-4 .. 248 °F	Rated voltage:	230/460 V
Specific Gravity:	1.000	Maximum ambient temperature:	104 °F	Mains frequency:	60 Hz
		Shaft seal:	HQQE	Enclosure class:	IP55
		Product number:	99917744	Insulation class:	F
				Motor protection:	NONE
				Motor type:	WEG
				Eta 1/1:	86.5 %

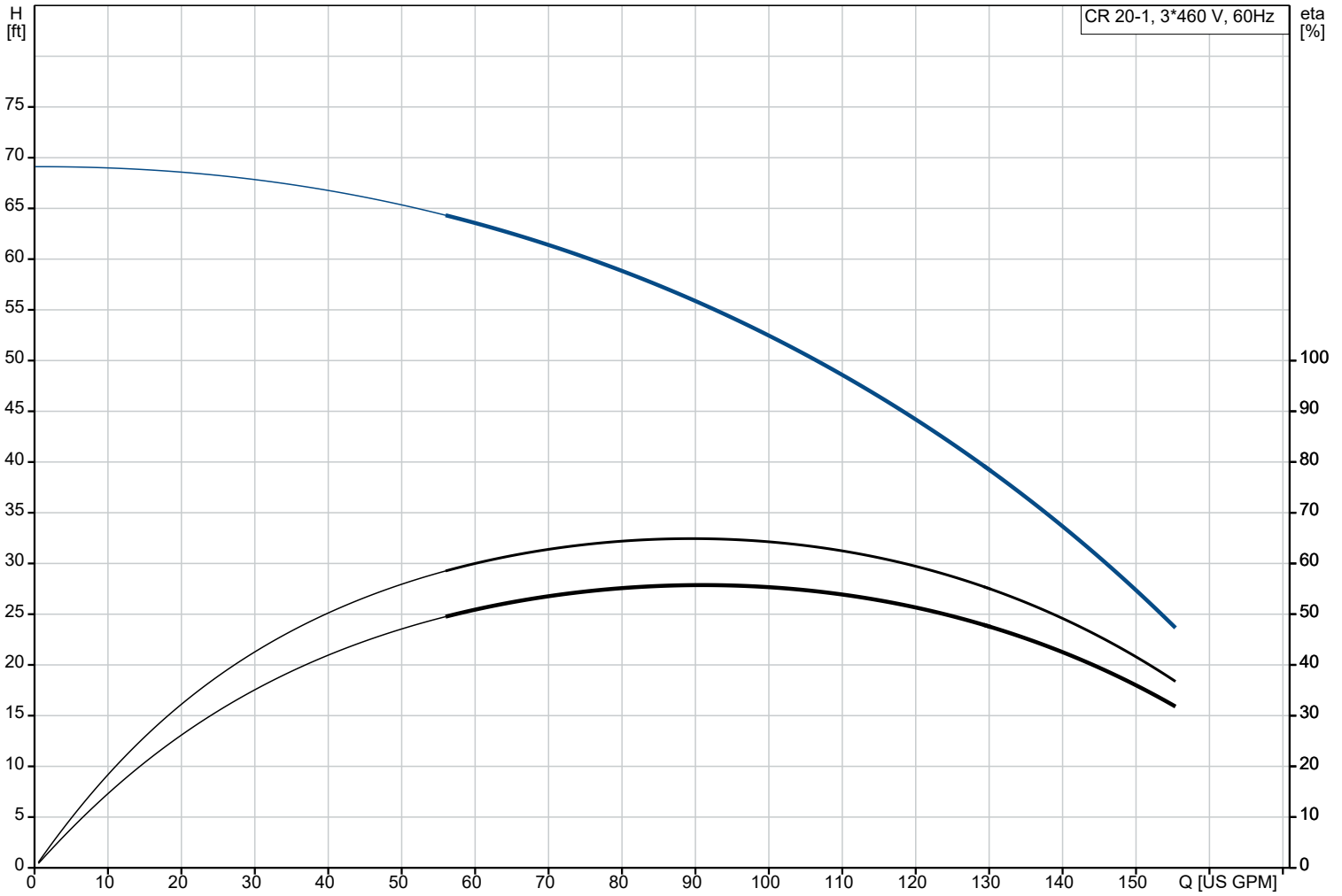




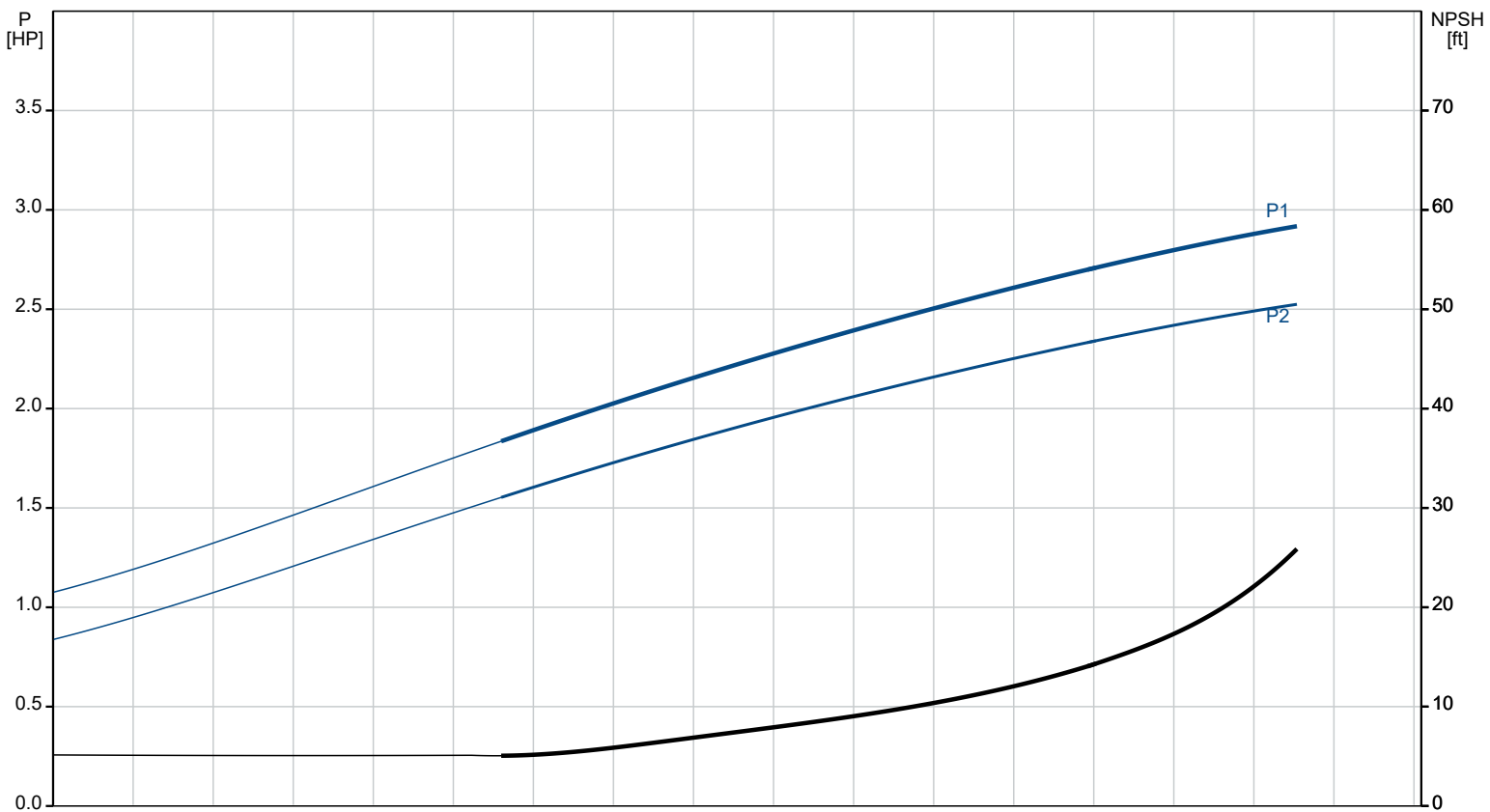
**Materials:**

Base: Cast iron  
 Base: EN 1561 EN-GJL-200  
 Base: ASTM A48-25B  
 Impeller: Stainless steel  
 Impeller: AISI 304  
 Impeller: EN 1.4301  
 Material code: A  
 Code for rubber: E

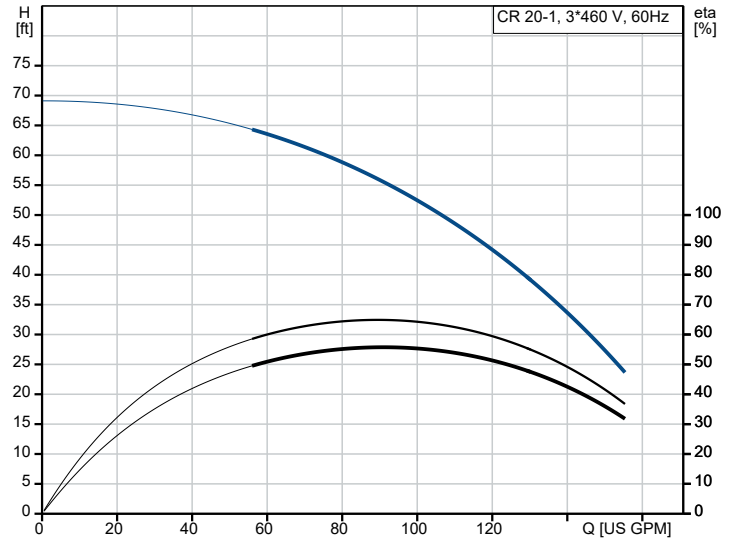
## 99917744 CR 20-1 A-GJ-A-E-HQQE 60 Hz



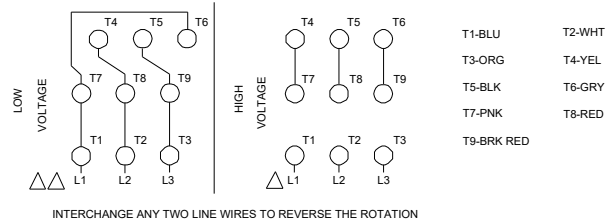
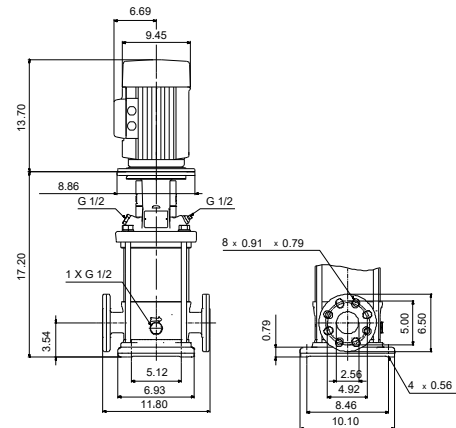
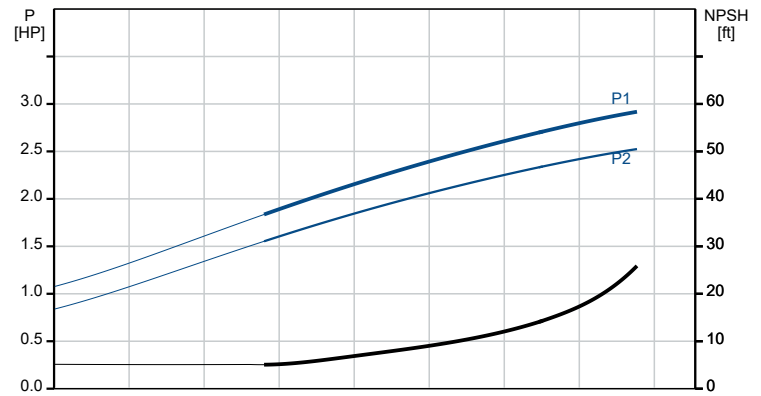
Pumped liquid = Water  
 Liquid temperature during operation = 68 °F  
 Density = 62.29 lb/ft<sup>3</sup>



Description	Value
<b>General information:</b>	
Product name:	CR 20-1 A-GJ-A-E-HQQE
Product No:	99917744
EAN number:	5715114125673
<b>Technical:</b>	
Pump speed on which pump data are based:	3461 rpm
Rated flow:	111 US GPM
Rated head:	49.54 ft
Maximum head:	66.93 ft
Actual impeller diameter:	4.13 in
Stages:	2
Impellers:	1
Number of reduced-diameter impellers:	0
Low NPSH:	N
Pump orientation:	Vertical
Shaft seal arrangement:	Single
Code for shaft seal:	HQQE
Approvals:	CURUS
Approvals for drinking water:	NSF/ANSI 61
Curve tolerance:	ISO9906:2012 3B
Pump version:	A
Model:	A
Cooling:	IC 411
<b>Materials:</b>	
Base:	Cast iron
Base:	EN 1561 EN-GJL-200
Base:	ASTM A48-25B
Impeller:	Stainless steel
Impeller:	EN 1.4301
Impeller:	AISI 304
Material code:	A
Code for rubber:	E
Bearing:	SIC
<b>Installation:</b>	
Maximum ambient temperature:	104 °F
Maximum operating pressure:	232.06 psi
Max pressure at stated temp:	232 psi / 250 °F
Max pressure at stated temp:	232 psi / -4 °F
Type of connection:	ANSI / JIS
Size of inlet connection:	DN 50
Size of outlet connection:	DN 50
Pressure rating for connection:	PN 25
Flange rating inlet:	250 lb
Flange size for motor:	182TC
Connect code:	GJ
<b>Liquid:</b>	
Pumped liquid:	Water
Liquid temperature range:	-4 .. 248 °F
Selected liquid temperature:	68 °F
Density:	62.29 lb/ft³
<b>Electrical data:</b>	
Motor standard:	NEMA
Motor type:	WEG
Rated power - P2:	3 HP
Power (P2) required by pump:	3 HP
Mains frequency:	60 Hz
Rated voltage:	3 x 230/460 V
Service factor:	1.15
Rated current:	7.34/3.67 A
Starting current:	880 %
Full load SF current:	8.44/4.22 A
Cos phi - power factor:	0.87
Rated speed:	3515 rpm
IE efficiency:	IE3 86,5%
IE Efficiency class:	IE3 / NEMA Premium



Pumped liquid = Water  
 Liquid temperature during operation = 68 °F  
 Density = 62.29 lb/ft³





Company name: Optimal

Created by:

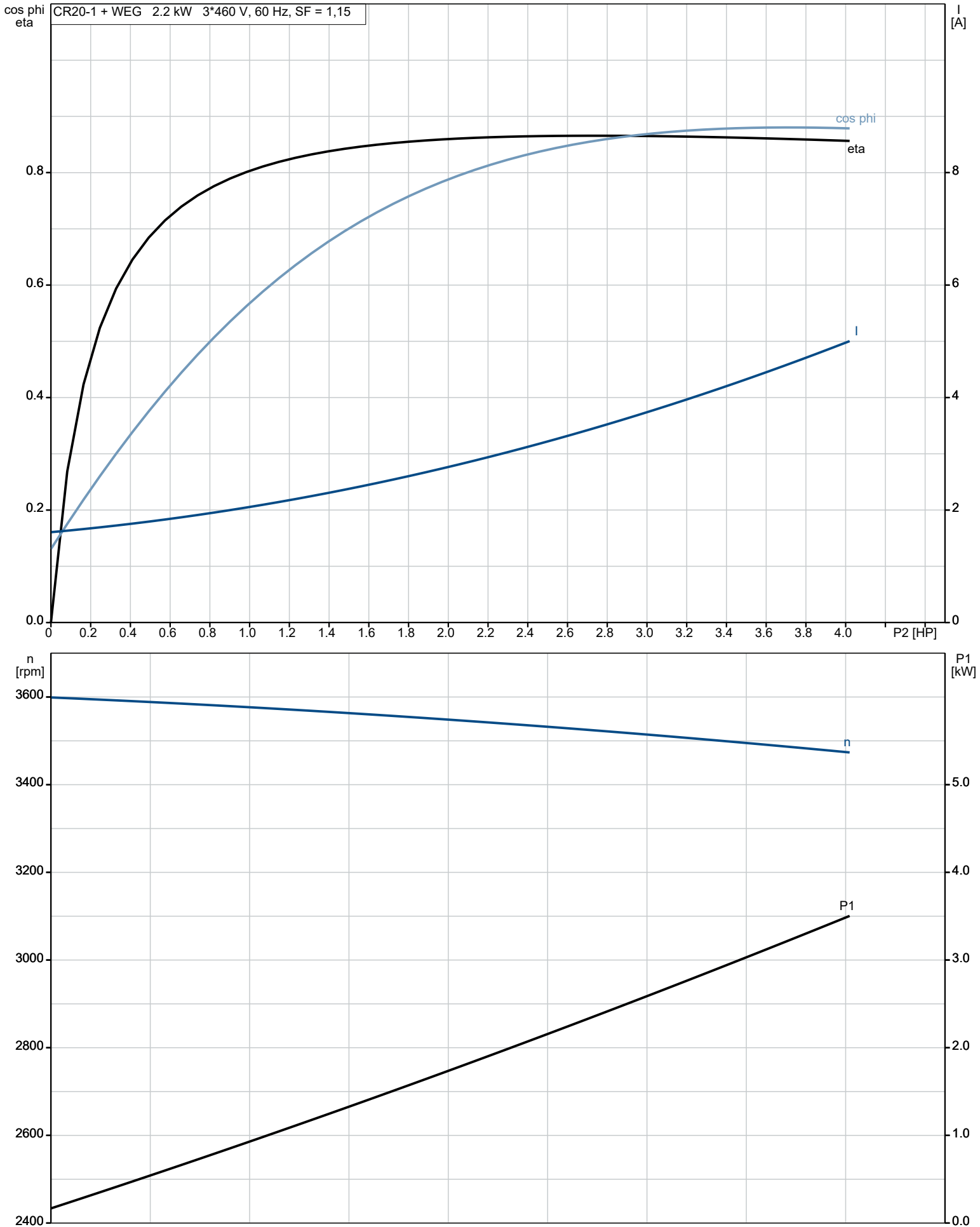
Phone:

Date:

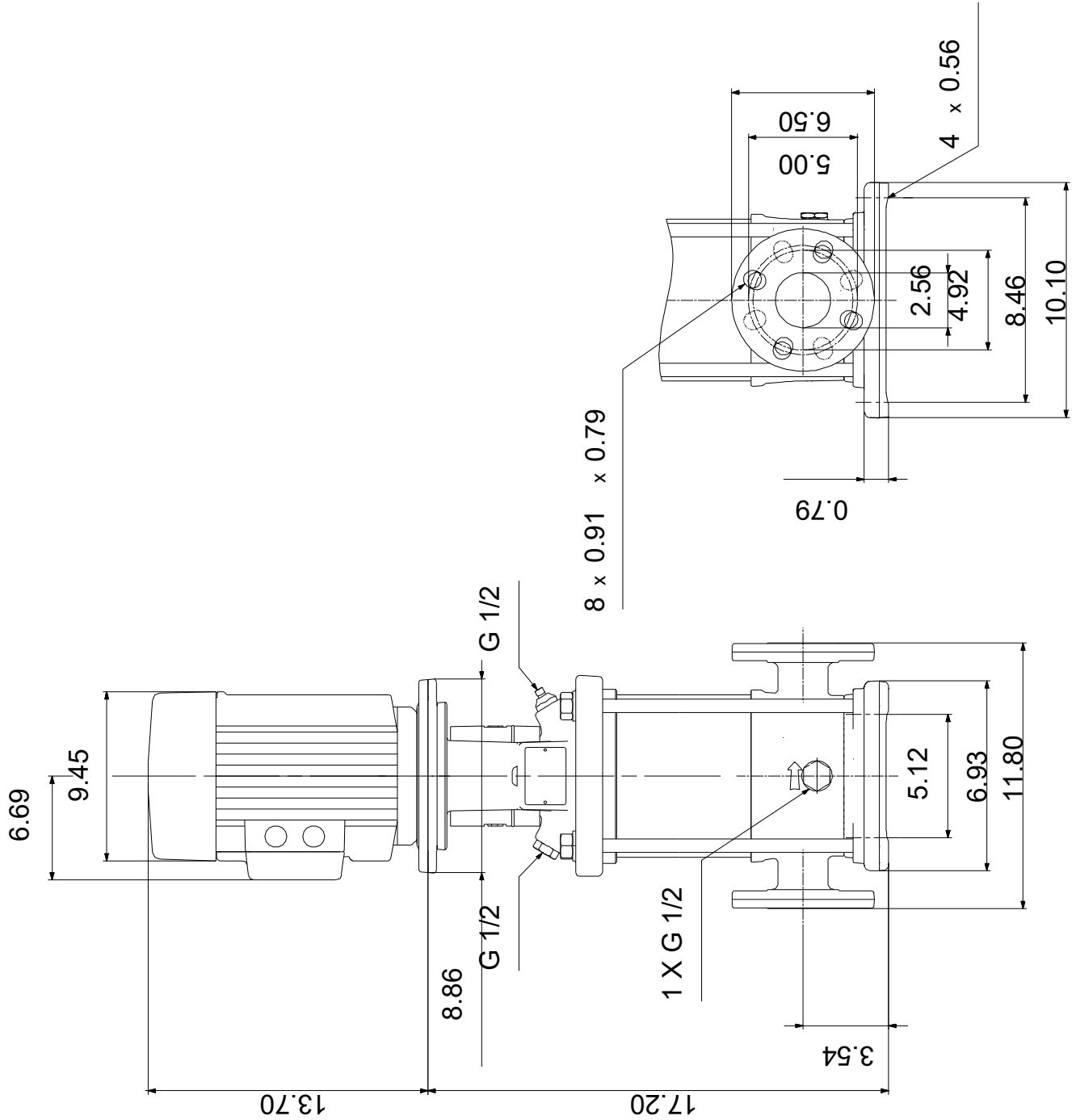
21/07/2023

Description	Value
Motor efficiency at full load:	86.5 %
Motor efficiency at 3/4 load:	86.5 %
Motor efficiency at 1/2 load:	84 %
Number of poles:	2
Enclosure class (IEC 34-5):	IP55
Insulation class (IEC 85):	F
Built-in motor protection:	NONE
Motor No:	99883243
<b>Controls:</b>	
Frequency converter:	NONE
<b>Others:</b>	
DOE Pump Energy Index CL:	0.91
Net weight:	161 lb
Gross weight:	179 lb
Shipping volume:	8.26 ft <sup>3</sup>

## 99917744 CR 20-1 A-GJ-A-E-HQQE 60 Hz



## 99917744 CR 20-1 A-GJ-A-E-HQQE 60 Hz



## 99917744 CR 20-1 A-GJ-A-E-HQQE 60 Hz

T2-WHT  
 T4-YEL  
 T6-GRY  
 T8-RED

T1-BLU  
 T3-ORG  
 T5-BLK  
 T7-PNK  
 T9-BRK RED

