

PROJECT: _____	UNIT TAG: _____	QUANTITY: _____
REPRESENTATIVE: _____	TYPE OF SERVICE: _____	DATE: _____
ENGINEER: _____	SUBMITTED BY: _____	DATE: _____
CONTRACTOR: _____	APPROVED BY: _____	DATE: _____
	ORDER NO.: _____	DATE: _____

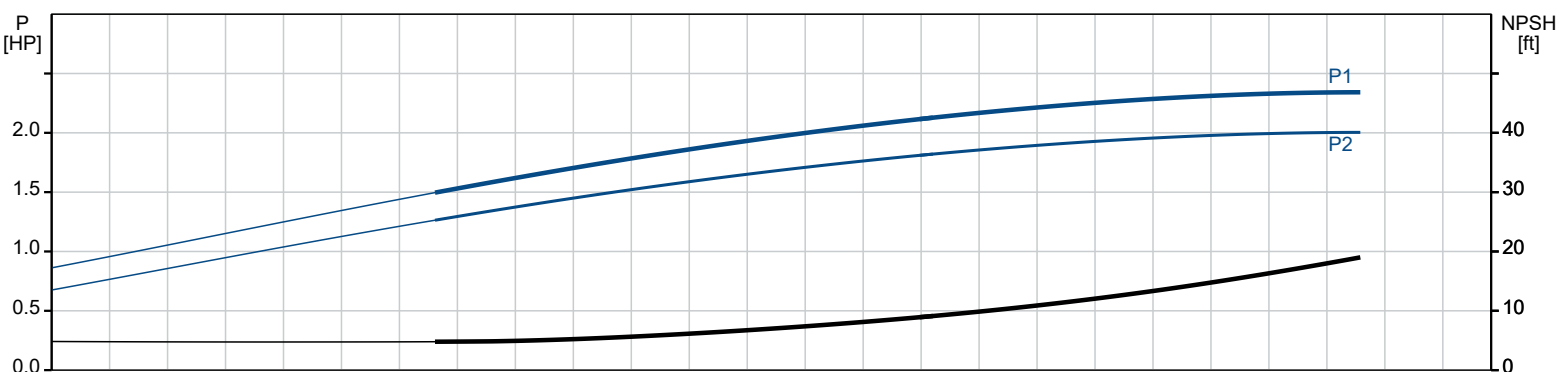
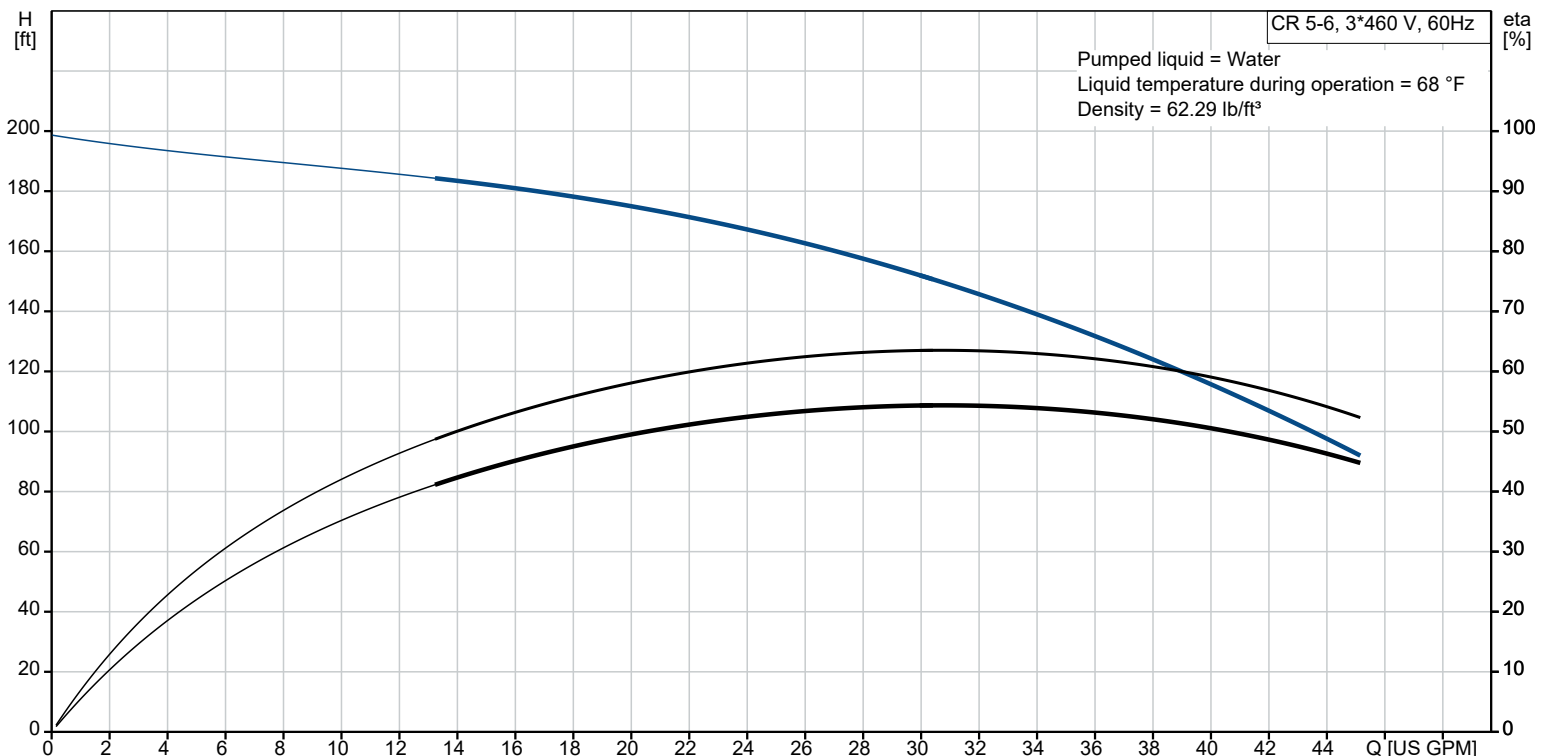


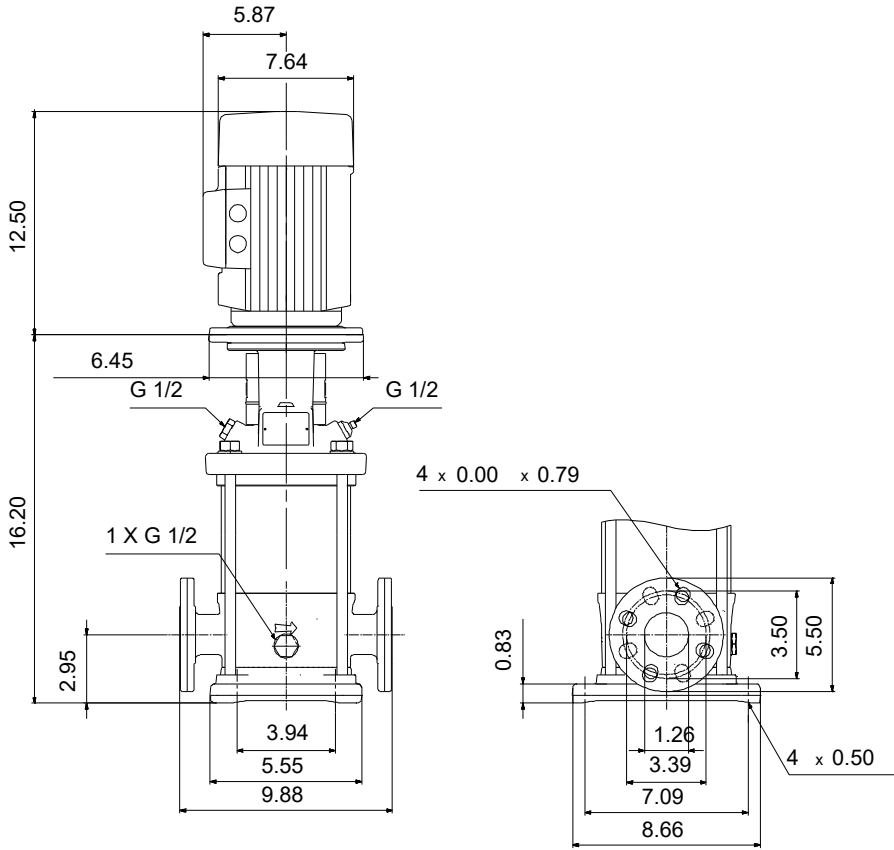
CR 5-6 A-FGJ-A-E-HQQE

Vertical, multistage centrifugal pump with suction and discharge ports on the same level. The pump head and base are in cast iron - all other wetted parts are in stainless steel (EN 1.4301)

Note! Product picture may differ from actual product

Conditions of Service		Pump Data		Motor Data	
Liquid:	Water	Max pressure at stated temp:	363 psi / 250 °F	Rated power - P2:	2 HP
Temperature:	68 °F	Liquid temperature range:	-4 .. 248 °F	Rated voltage:	230/460 V
Specific Gravity:	1.000	Maximum ambient temperature:	104 °F	Mains frequency:	60 Hz
		Shaft seal:	HQQE	Enclosure class:	IP55
		Product number:	99916784	Insulation class:	F
				Motor protection:	NONE
				Motor type:	WEG
				Eta 1/1:	85.5 %

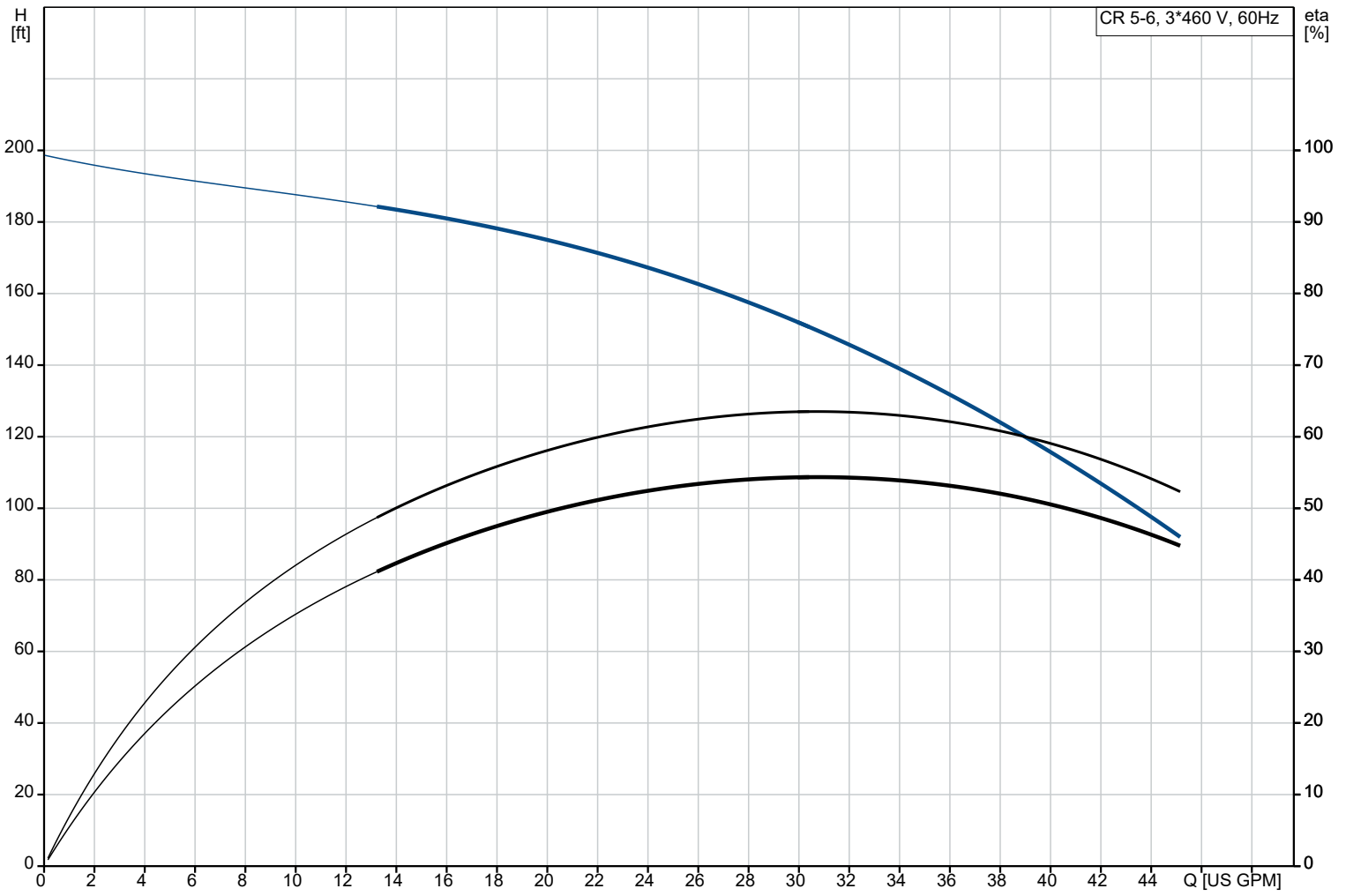




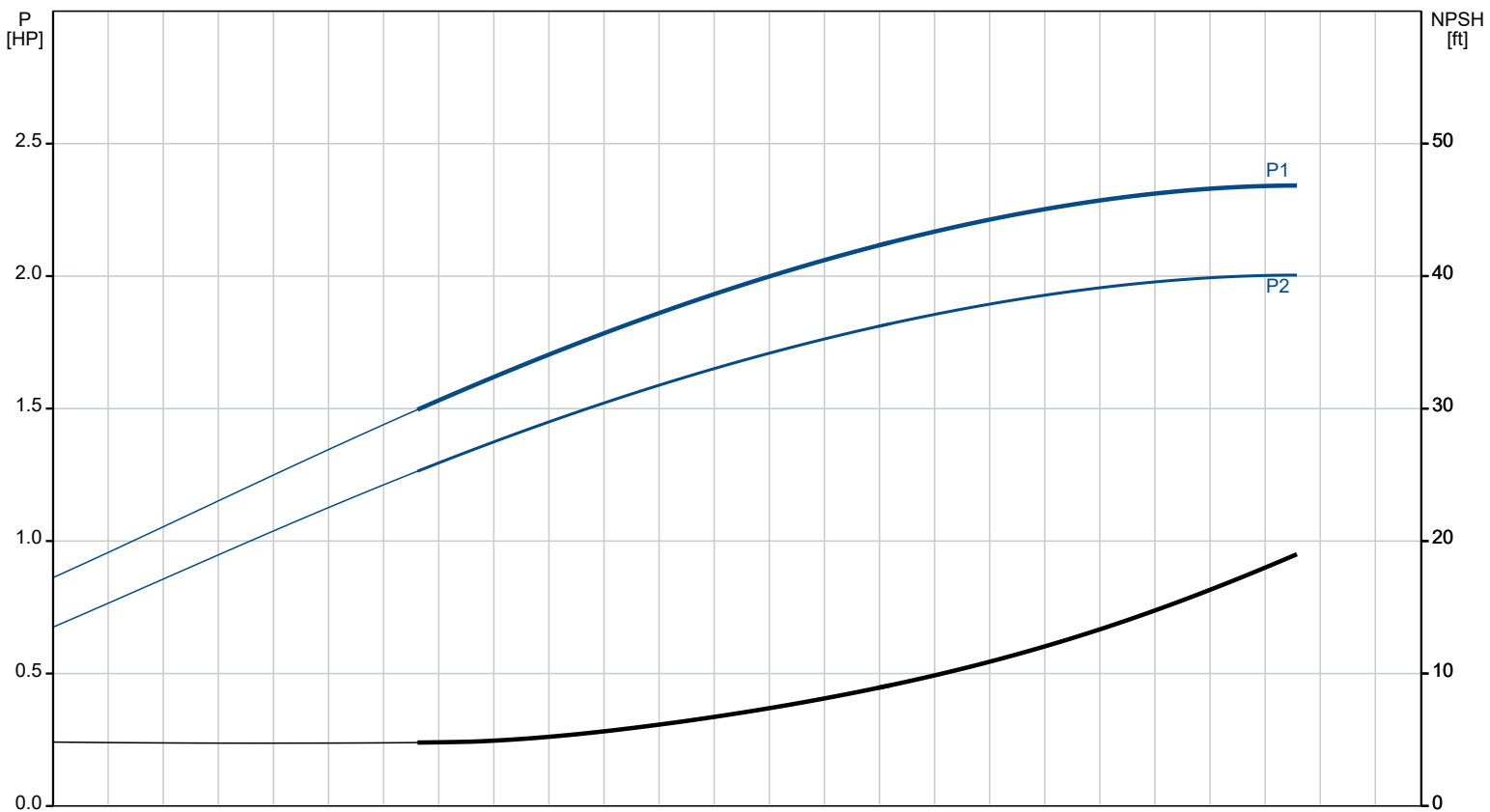
Materials:

Base:	Cast iron
Base:	EN 1561 EN-GJL-200
Base:	ASTM A48-25B
Impeller:	Stainless steel
Impeller:	AISI 304
Impeller:	EN 1.4301
Material code:	A
Code for rubber:	E

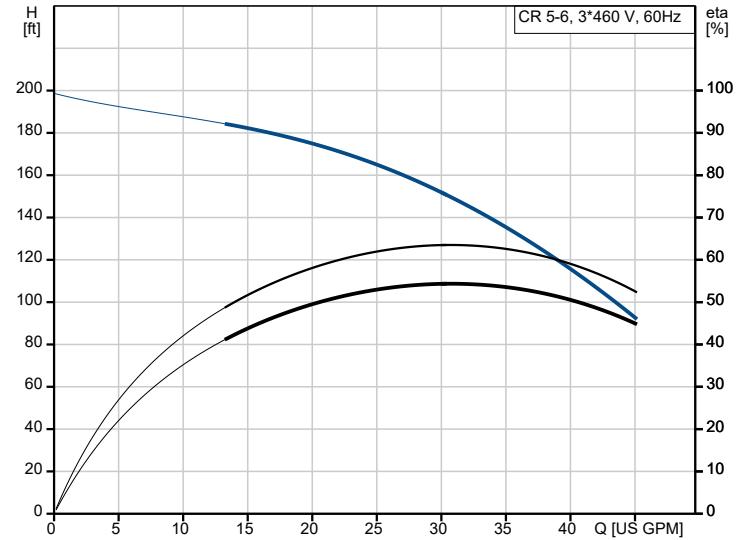
99916784 CR 5-6 A-FGJ-A-E-HQQE 60 Hz



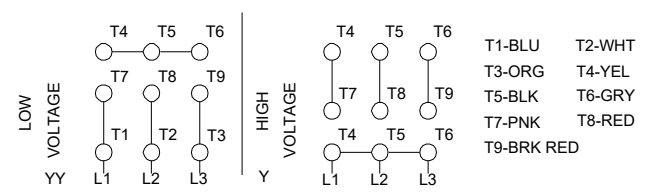
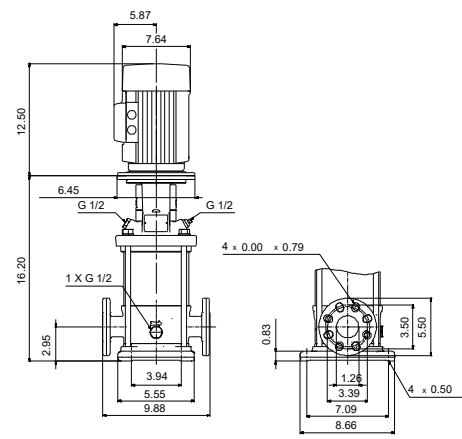
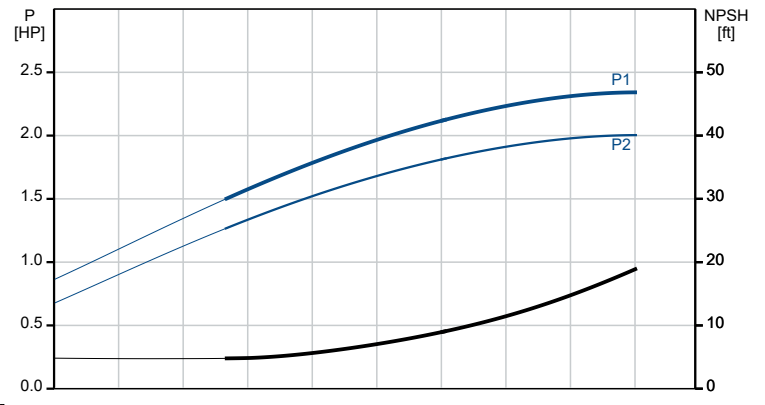
Pumped liquid = Water
 Liquid temperature during operation = 68 °F
 Density = 62.29 lb/ft³



Description	Value
General information:	
Product name:	CR 5-6 A-FGJ-A-E-HQQE
Product No:	99916784
EAN number:	5715114115537
Technical:	
Pump speed on which pump data are based:	3452 rpm
Rated flow:	30.4 US GPM
Rated head:	147.6 ft
Maximum head:	203.8 ft
Stages:	6
Impellers:	6
Number of reduced-diameter impellers:	0
Low NPSH:	N
Pump orientation:	Vertical
Shaft seal arrangement:	Single
Code for shaft seal:	HQQE
Approvals:	CURUS
Approvals for drinking water:	NSF/ANSI 61
Curve tolerance:	ISO9906:2012 3B
Pump version:	A
Model:	A
Cooling:	IC 411
Materials:	
Base:	Cast iron
Base:	EN 1561 EN-GJL-200
Base:	ASTM A48-25B
Impeller:	Stainless steel
Impeller:	EN 1.4301
Impeller:	AISI 304
Material code:	A
Code for rubber:	E
Bearing:	SIC
Installation:	
Maximum ambient temperature:	104 °F
Maximum operating pressure:	362.59 psi
Max pressure at stated temp:	363 psi / 250 °F
Max pressure at stated temp:	363 psi / -4 °F
Type of connection:	DIN / ANSI / JIS
Size of inlet connection:	DN 25/32
Size of outlet connection:	DN 25/32
Pressure rating for connection:	PN 25
Flange rating inlet:	250 lb
Flange size for motor:	56C
Connect code:	FGJ
Liquid:	
Pumped liquid:	Water
Liquid temperature range:	-4 .. 248 °F
Selected liquid temperature:	68 °F
Density:	62.29 lb/ft³
Electrical data:	
Motor standard:	NEMA
Motor type:	WEG
Rated power - P2:	2 HP
Power (P2) required by pump:	2 HP
Mains frequency:	60 Hz
Rated voltage:	3 x 230/460 V
Service factor:	1.15
Rated current:	4.94/2.47 A
Starting current:	990 %
Full load SF current:	5.68/2.84 A
Cos phi - power factor:	0.89
Rated speed:	3520 rpm
IE efficiency:	IE3 85,5%
IE Efficiency class:	IE3 / NEMA Premium
Motor efficiency at full load:	85.5 %



Pumped liquid = Water
 Liquid temperature during operation = 68 °F
 Density = 62.29 lb/ft³



INTERCHANGE ANY TWO LINE WIRES TO REVERSE THE ROTATION



Company name: Optimal

Created by:

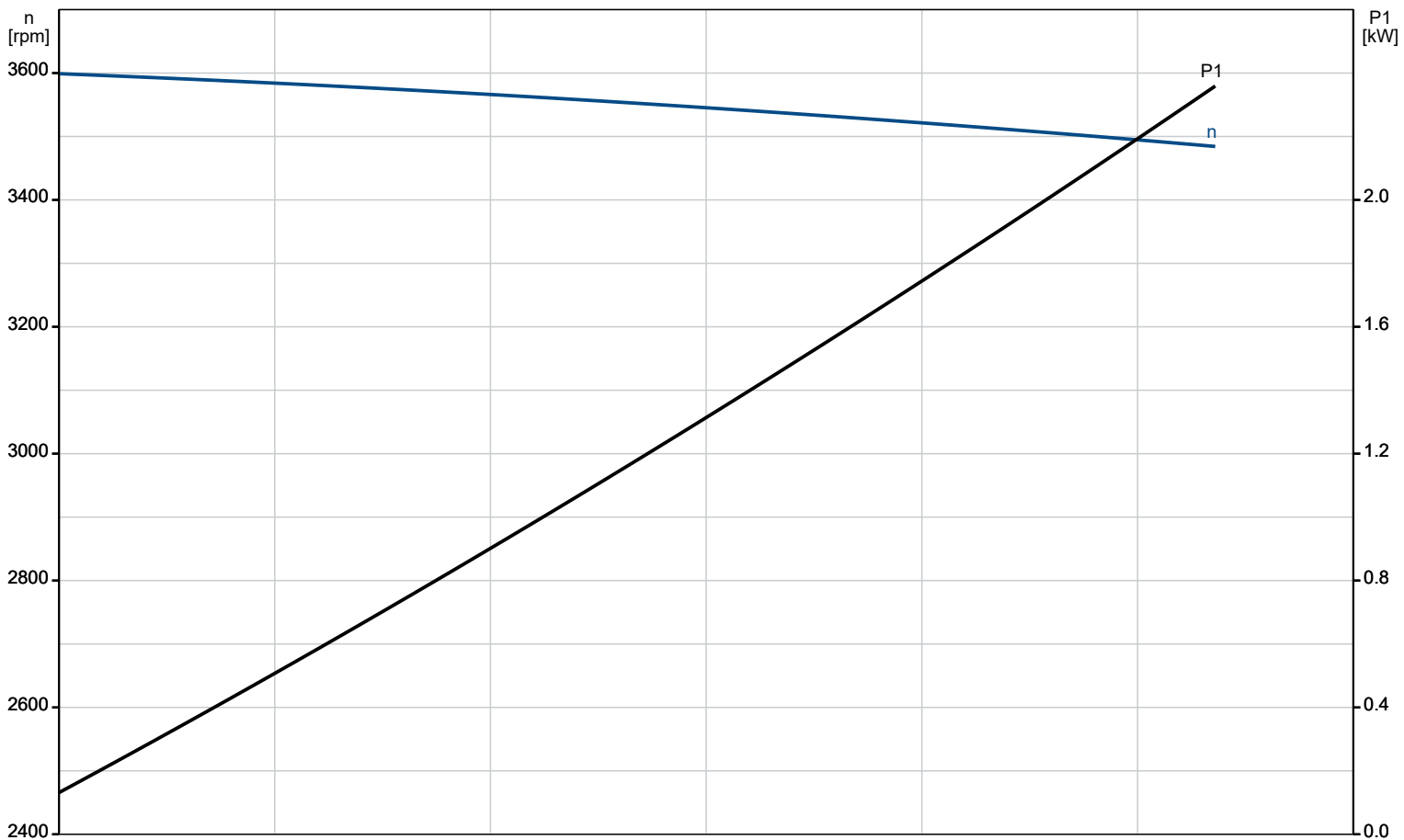
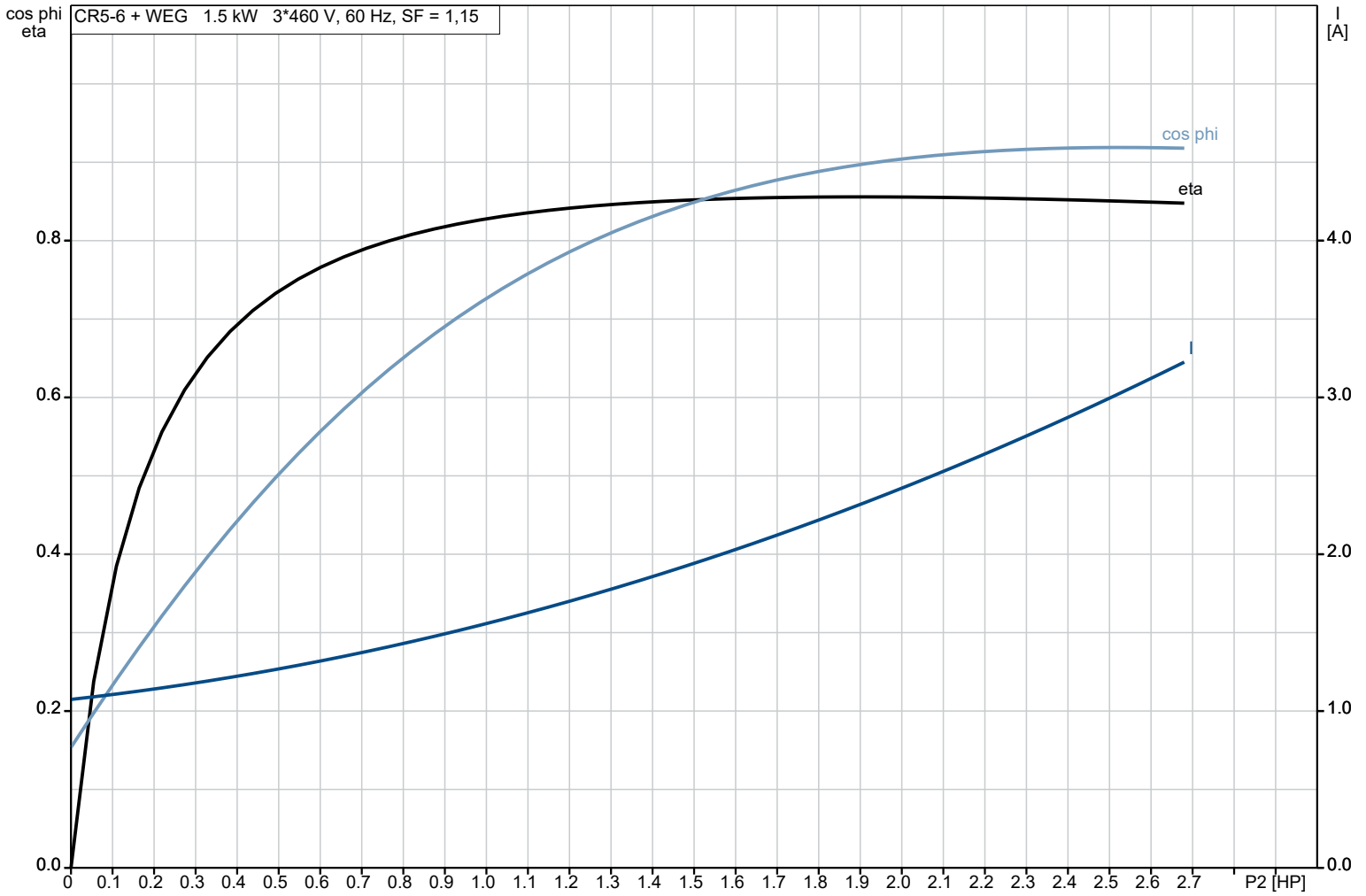
Phone:

Date:

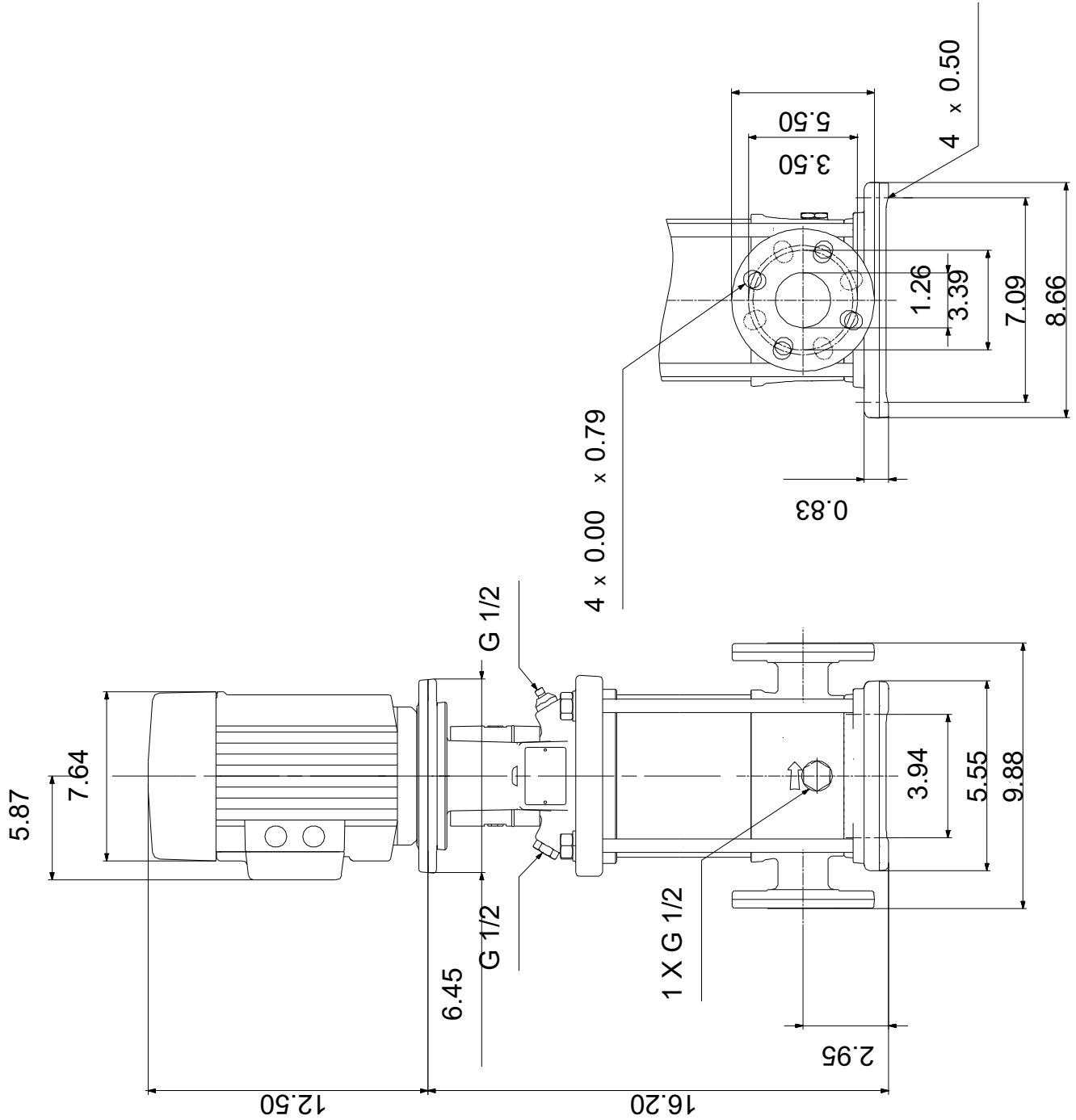
21/07/2023

Description	Value
Motor efficiency at 3/4 load:	85.5 %
Motor efficiency at 1/2 load:	82.5 %
Number of poles:	2
Enclosure class (IEC 34-5):	IP55
Insulation class (IEC 85):	F
Built-in motor protection:	NONE
Motor No:	99883241
Controls:	
Frequency converter:	NONE
Others:	
Net weight:	90.3 lb
Gross weight:	105 lb
Shipping volume:	6.11 ft ³

99916784 CR 5-6 A-FGJ-A-E-HQQE 60 Hz

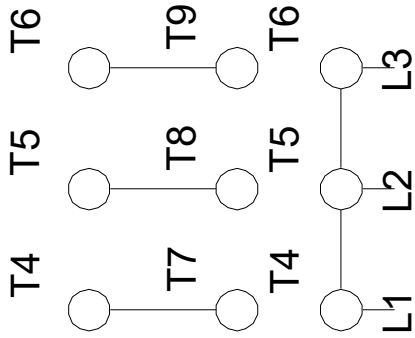


99916784 CR 5-6 A-FGJ-A-E-HQQE 60 Hz

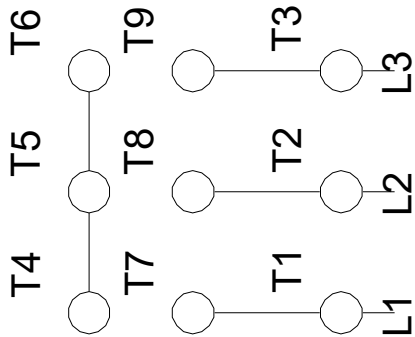


99916784 CR 5-6 A-FGJ-A-E-HQQE 60 Hz

- T1-BLU T2-WHT
- T3-ORG T4-YEL
- T5-BLK T6-GRY
- T7-PNK T8-RED
- T9-BRK RED



HIGH VOLTAGE
Y



LOW VOLTAGE
YY

INTERCHANGE ANY TWO LINE WIRES TO REVERSE THE ROTATION