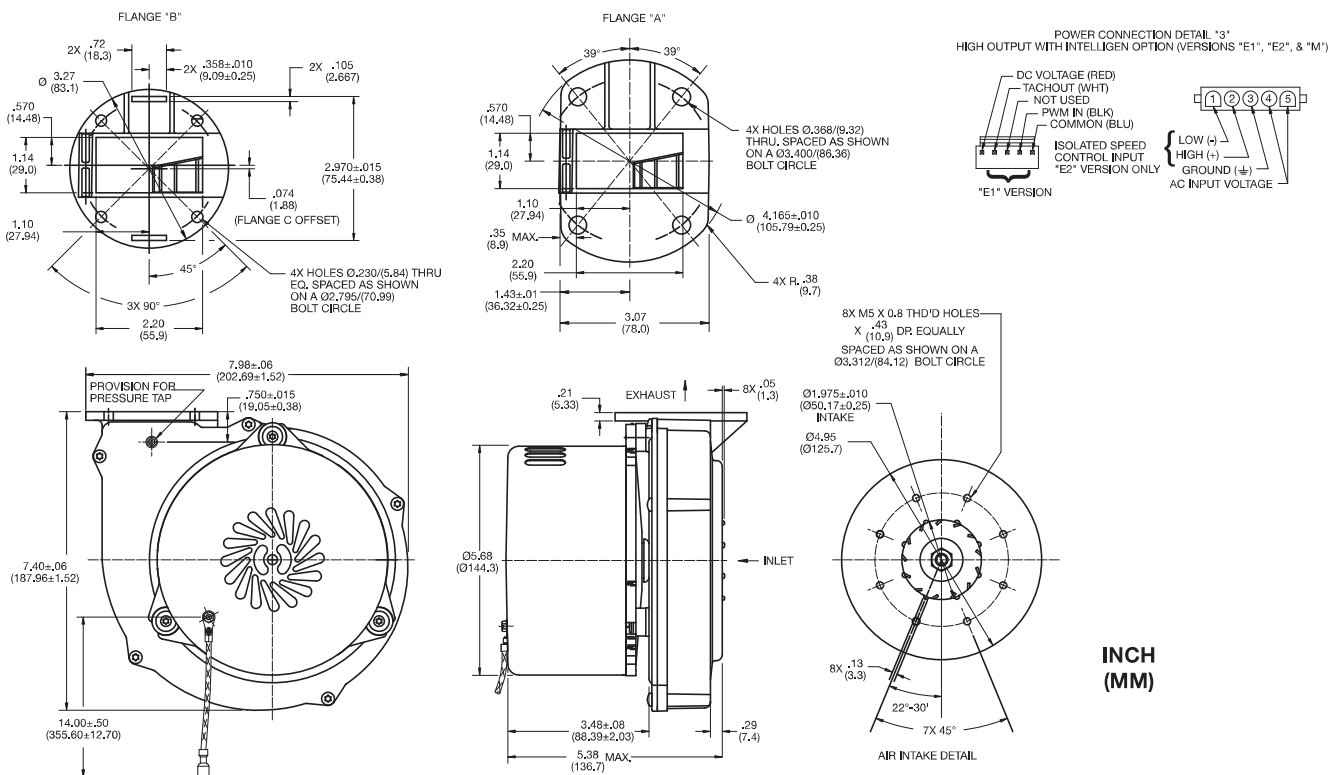


Nautilair™ 7.6" (192mm) Variable Speed Blower

240 Volt AC Input, Single Phase, Standard Output/High Output



Model	Voltage (AC)	Flange Type	Version "E1" Electronic PWM speed control input 15-45 VDC @ 500Hz-10KHz	Version "E2" Electronic speed control input 0-10 VDC nominal	Version "M" Mechanical on-board (Potentiometer) speed control
-------	--------------	-------------	---	--	--

Standard Output Models

150520-00	240	Large (A)	X		
150521-00	240	Large (A)		X	
150522-00	240	Large (A)			X
150523-00	240	Small (B)	X		
150524-00	240	Small (B)		X	
150525-00	240	Small (B)			X

High Output Models

150140-00	240	Large (A)			X
150141-00	240	Large (A)		X	
150142-00	240	Small (B)			X
150143-00	240	Small (B)		X	
150143-06	240	Small (B)	X		

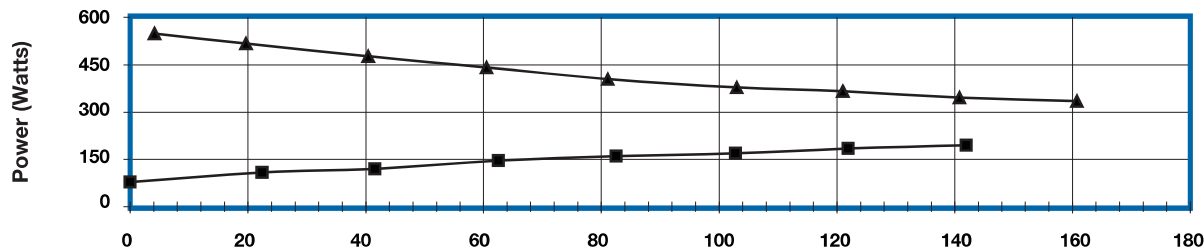
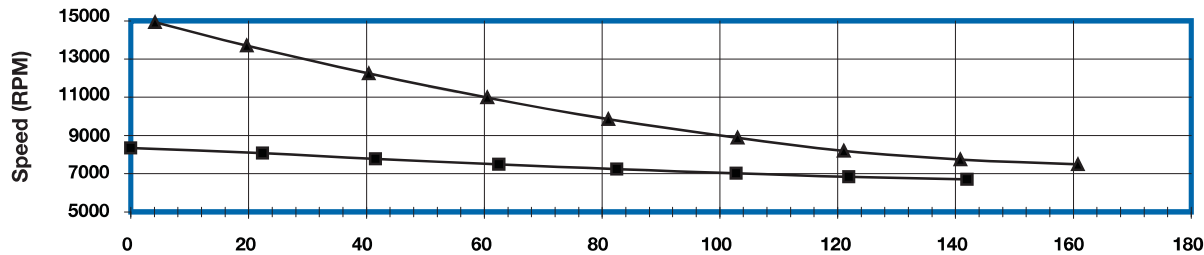
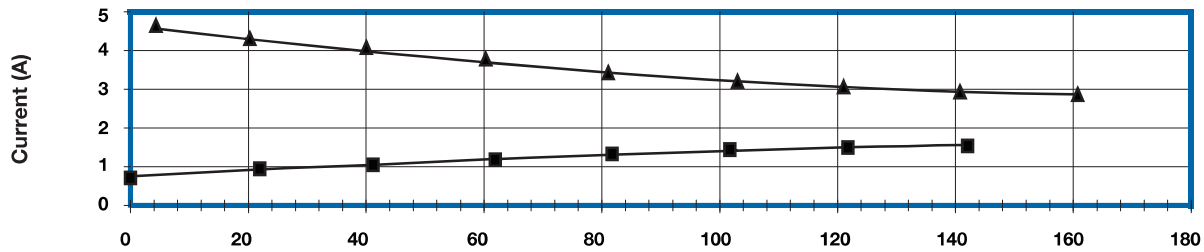
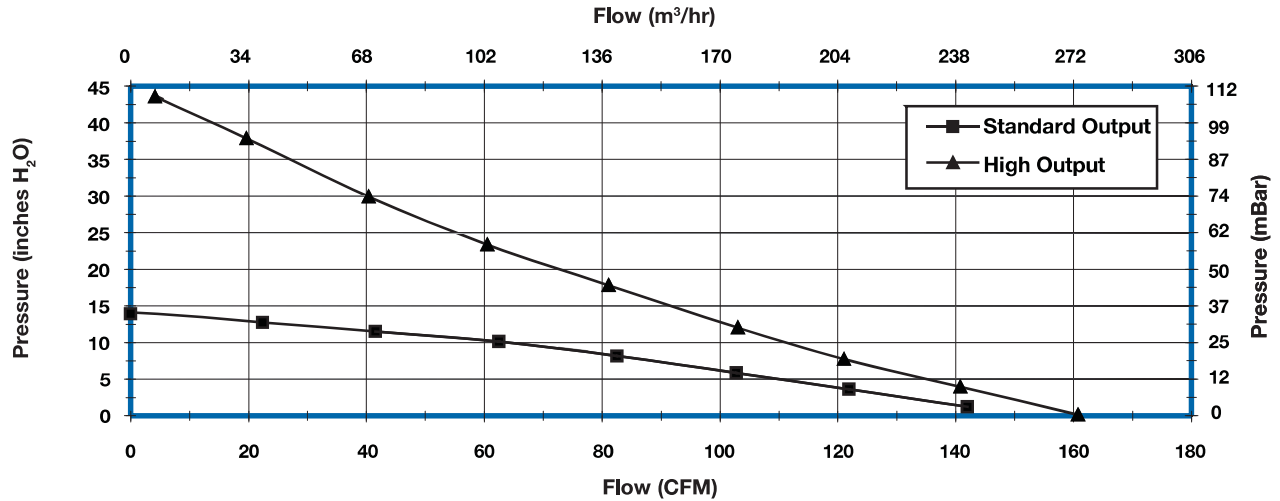
NOTES:

- Designed for high efficiency, low NOx, and CO emission gas-fired combustion systems.
- Brushless DC motor with hall effect sensor feedback.
- Internal electronic commutation controller with built in speed control and protection features.
- Rubber vibration and shock mounts on motor bracket and bearing system.
- Long life, sealed, ball bearings with high temperature grease.
- Non sparking, hardened aluminum impeller.
- Utilizes AMETEK's IntelliGen™ controller electronics
- The performance points listed in the charts depict maximum typical performance levels. This is a variable speed product and therefore operates at most performance points lower than those listed.
- Available add-on IntelliGen options cards include:
 1. Speed control input signal of 15 - 45 VDC @ 500Hz - 10 kHz, and tachometer output (2 Pulses / Revolution)
 2. Optional tachometer output (3 Pulses / Revolution)
 3. Pressure feedback with pressure sensor/transducer, and tachometer output (2 Pulses / Revolution)
 4. RS232 Communications card, compatible with DeviceNet
 5. Multiple preset demo card with 4 preset / user adjustable speeds at 4, 6, 8, and 10 VDC speed command input (+/- 0.5VD)
 6. Speed control input signal of 4-20 mA available
- Agency recognized component to UL507 per file# E-94403, and CSA C22.2#113 per file# LR 43448.

Nautilair™ 7.6" (192mm) Variable Speed Blower

240 Volt AC Input, Single Phase, Standard Output/High Output

TYPICAL PERFORMANCE



**HIGH-VOLTAGE
BLDC BLOWERS**

This document is for informational purposes only and should not be considered as a binding description of the products or their performance in all applications. The performance data on this page depicts typical performance under controlled laboratory conditions using AMETEK BLDC motor controllers. Actual performance will vary depending on the operating environment and application. AMETEK products are not designed for and should not be used in medical life support applications. AMETEK reserves the right to revise its products without notification. The above characteristics represent standard products. For product designed to meet specific applications, contact AMETEK Technical & Industrial Products Marketing and Sales.

AMETEK TECHNICAL & INDUSTRIAL PRODUCTS

627 Lake Street, Kent OH 44240

Tel: +1 330-673-3452 • Fax: +1 330-677-3306 • www.ametektip.com