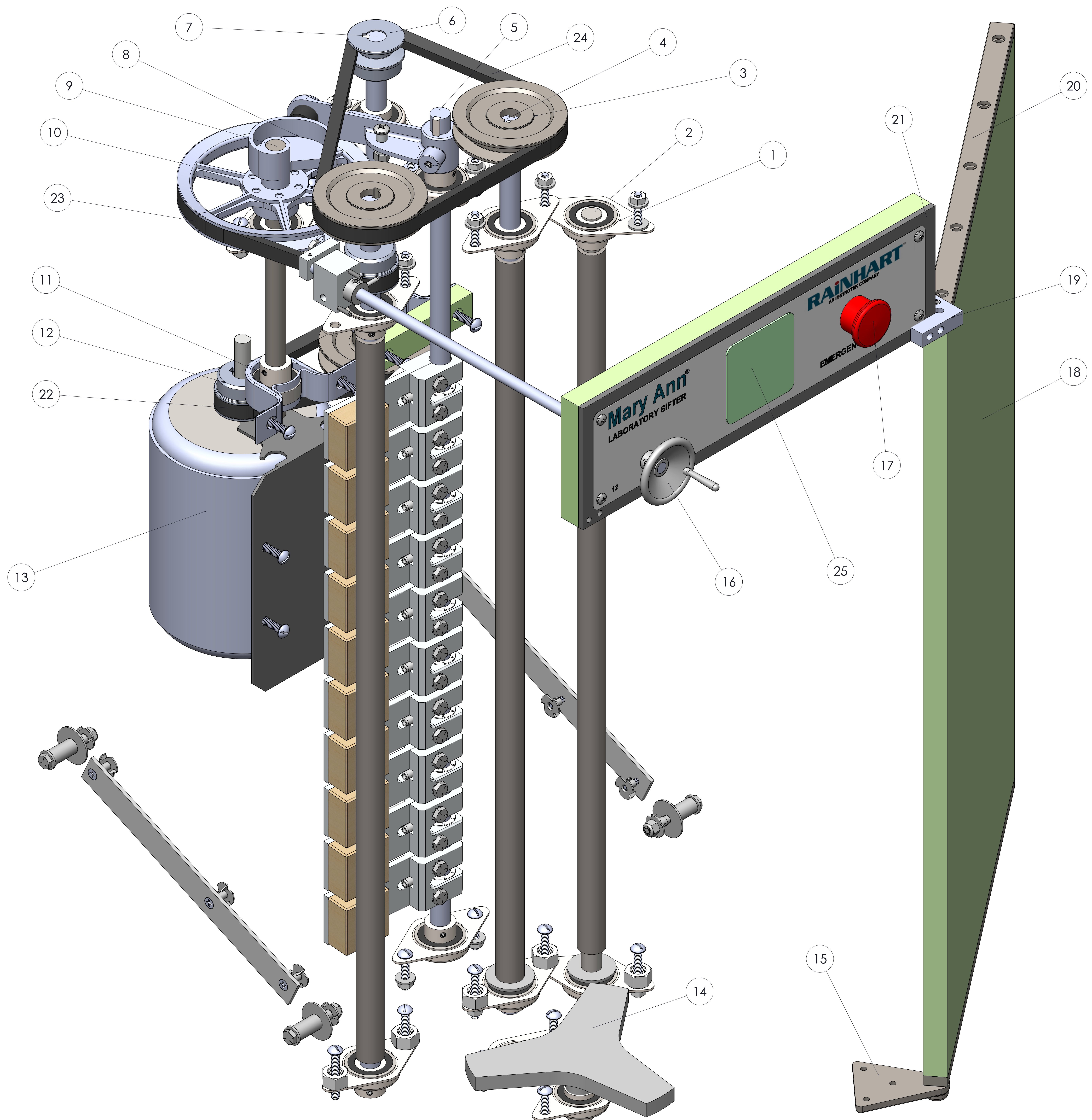
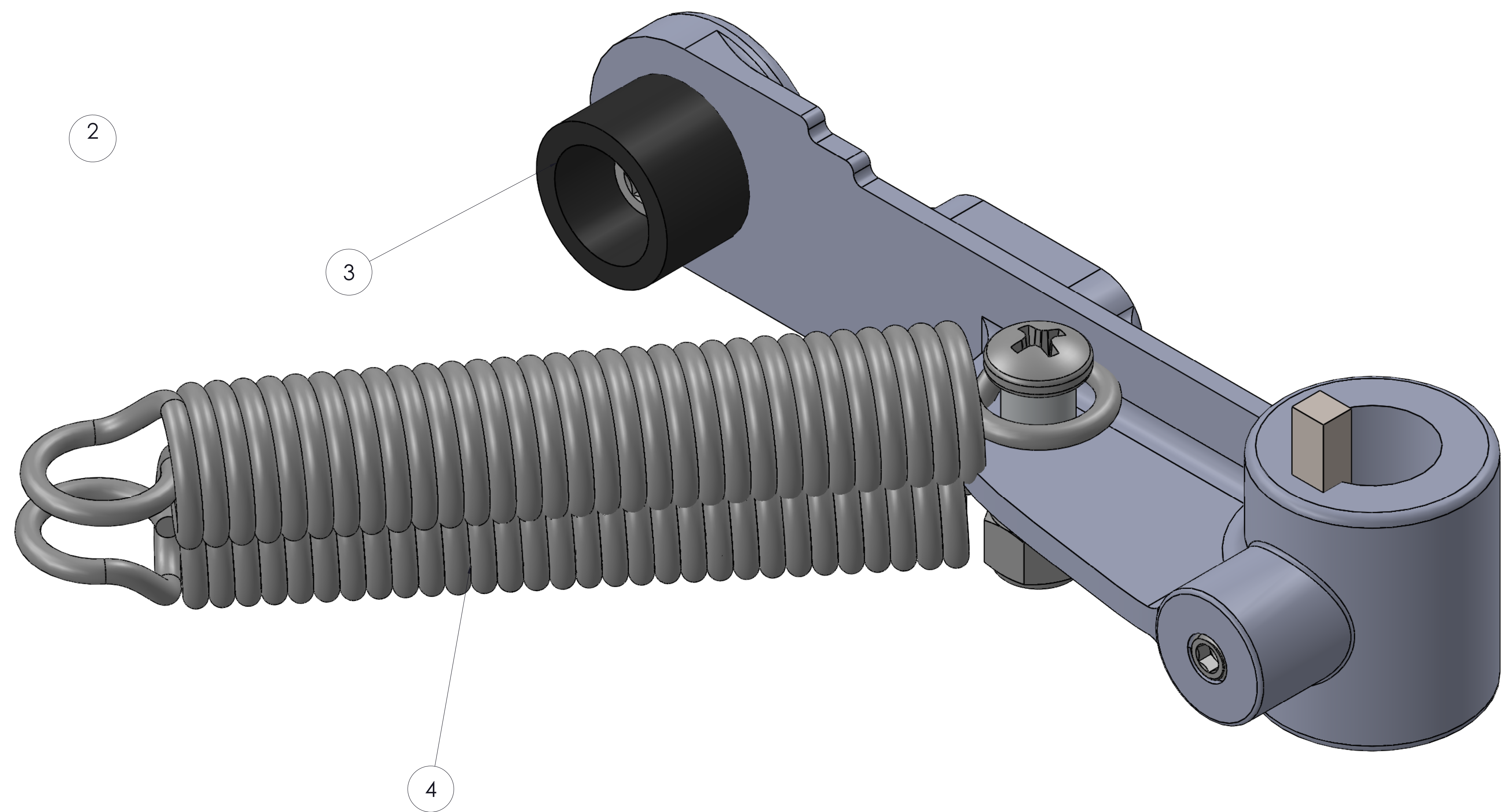
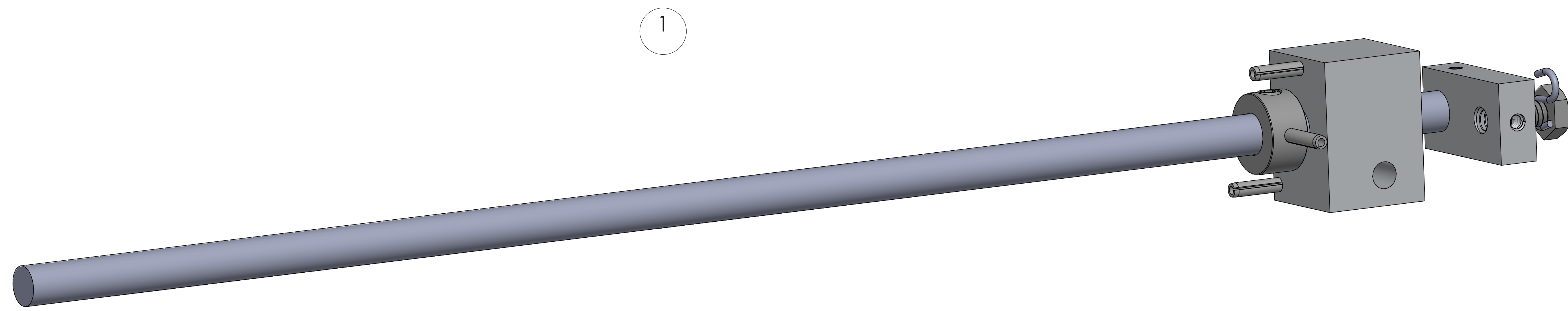


ITEM NO.	PART NUMBER	DESCRIPTION	QTY.
1	BRG1000	Flange Bearing	12
2	637-700	Idler Shaft	2
3	PLY1003	Pulley 3-1/2" x 5/8"	3
4	637-600	Roller Shaft	2
5	637-300A	Hammer Shaft	1
6	PLY1002	Pulley 1-3/4" x 5/8"	3
7	635-400-30	Jack Shaft	1
8	635-500-34Q	Ultra Quiet Cam	1
9	635-500-32	Cam Shaft	1
10	635-500-35	Pulley 6" x 5/8"	1
11	BRG1001	Pillow Block Bearing	2
12	PLY1001	Pulley 1- 3/4" x 1/2"	
13	MTR1000	Motor	1
14	635-38	Turn Table	1
15	637-13	Lower Door Hinge	1
16	637-130	8-12 Selector	1
17	ELC1250	Emergency Stop Push Button	1
18	637D	Case with Door + Lid	1
19	637-D10	Door Hinge	1
20	637-09	Lid Door Hinge Bar	2
21	637-D-Q6	Aluminum Control Panel w/ Decal	1
22	BEL1000	Motor Belt	1
23	BEL1001	Cam Drive Belt	1
24	BEL1002	3 Pulley Drive Belt	1
25	ELC1867	Digital Timer	1



ITEM NO.	PART NUMBER	DESCRIPTION	QTY.
1	637D-200	Spring Shaft Assembly	1



ITEM NO.	PART NUMBER	DESCRIPTION	QTY.
2	635-800	Cam Follower Assembly (All Parts Shown)	1
3	MSC1000	Nupla Face (ALSO SOLD SEPARATELY)	1
4	635-800B	Cam Springs (ALSO SOLD SEPARATELY)	2

ITEM NO.	PART NUMBER	DESCRIPTION	QTY.
1	635-300	Hammer Shaft Assmebly	
2	635-300B-51	Clapper Block	10
3	635-300B-51Q	UltraQuiet Clapper Block	
4	635-300B	Clapper Assembly Complete	10
5	635-300B-Q	UltraQuiet Clapper Assembly (Hardware + Block)	
6	PIN1100	Spring Pin	10
7	MSC1020	Nyliner Bearing	20

