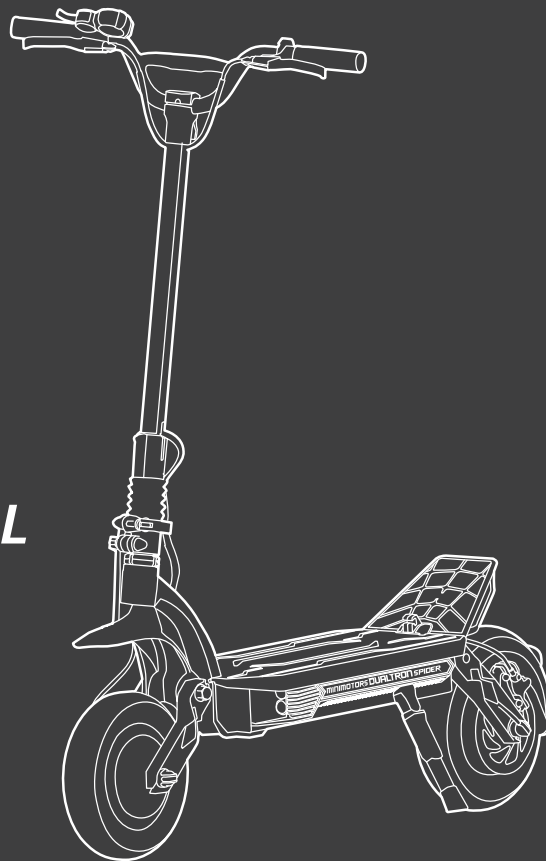


**DUALTRON**

***SPIDER II***

Personal Mobility

***PRODUCT MANUAL***



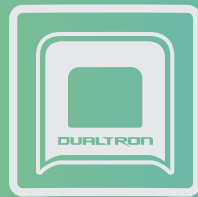


Scan the QR code to download the latest user materials  
and obtain the latest updates and safety instructions.

# DUALTRON

The dream of electric technology.

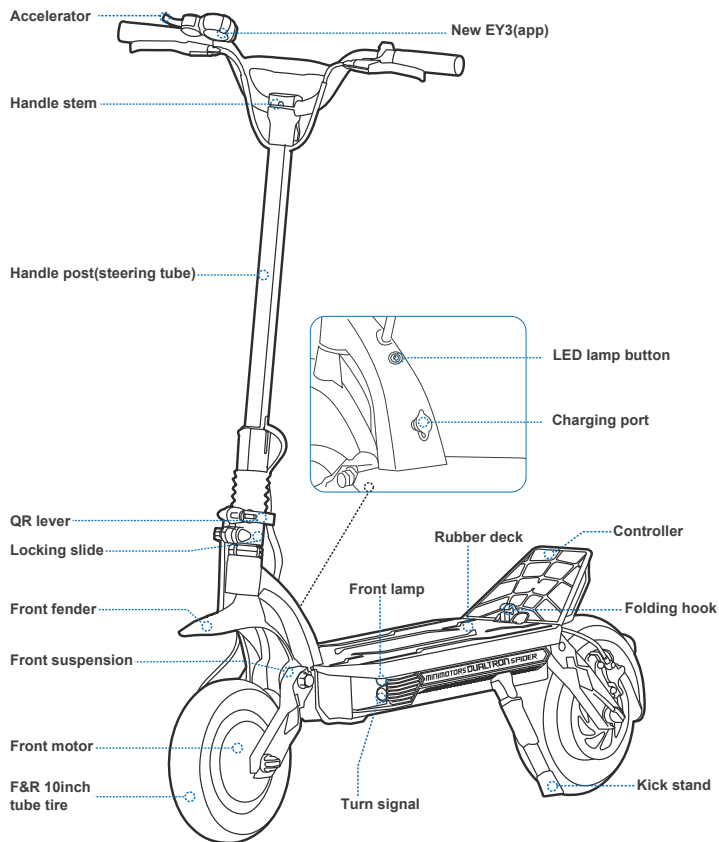
Pictures for reference only, subject to our existing products.



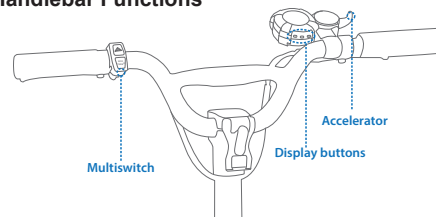
*MINIMOTORS*









## Diagram And Functions



### Handlebar Functions



Name	Function	Operation method
 Warning Light Button	Turn on the warning light	Press the Warning Light Button, the left&right signals will keep blinking until press the Warning Light Button again.
 Driving mode selection button	Turn on ECO / TURBO mode	Switch modes through pressing the button.
 Power button	Turn on/ off power	1.Press and hold the Power button to turn on/off the scooter. 2.Press the button to adjust the speed gear.
 Set button	Settings	1.Press and hold the Set button to enter/exit ECO mode. 2.Press the button to switch battery voltage/ percent indication
 Mode button	Mode selection	1.Press and hold the Mode button to enter/exit the mode setting, and automatically return to the main interface after 30s. 2.Press the the Mode button to switch ODO/time indication.(Time defaults)
 Accelerator	Speed up	Pull the throttle to accelerate.








## Specifications

	Item	Parameter
<b>Product</b>	Model	Dualtron spider 2
<b>Battery</b>	Battery Capacity	60V24Ah CN / 60V30Ah (LG or Samsung)
	Range	85km / 100km
	Charging Ambient Temperature	0 to 40°C (Battery temperature exceeds 55°C,BMS start protection program.)
	Battery Management System	Over-heating, short circuit, over-current, over-discharge and over-charge protection
<b>Rider</b>	Max. load	120kg
	Recommended Age	14–60 years old
<b>Display</b>	Type	New EY3 display(DUALTRON APP available)
<b>Motor</b>	Motor Type	BLDC Hub Motor
	Nominal Power	1100W
<b>Machine</b>	Net Weight	26.2kg
	Max. Slope	Around 43%[23°]
	Drive System	Dual motor drive
	Speed	25km/h
	Length × Width × Height	1140x605x1240mm
	Folded: Length × Width × Height	1140x605x500mm
	Wheelbase	Approx.870mm
	Ground Clearance	Approx.160mm
	Traversable Terrain	Asphalt/flat pavement; obstacles < 5 cm; gaps < 5 cm
	Operating Temperature	-5 to 45°C
	Storage Temperature	-20 to 50°C



## Specifications

<b>Brake</b>	Type	Hydraulic brake
	Electric Brake	ABS&EBS (Indicating the battery temperature exceeds 55°C,BMS start protection program,ABS/EBS fails.)
<b>Charger</b>	Input Voltage	100-120V/200-240V~
	Max. Output Voltage	66.4V 1.75A
<b>Tire</b>	Type	10 inch tube tire
	Tire Pressure	50 psi
	Material	Rubber
<b>Suspension</b>	Type	Rubber suspension(front)+replaceable suspension(rear,cartridge design)
	Optional	(Default) Softest  Medium soft  Medium  Medium hard  Hardest 

\*Disclaimer: this is not a legal opinion or legal advice. The information provided herein (including in the App) is for your convenience and information purpose only. It is not intended to cover every piece of law and/or regulation that may be applicable to this product. DUALTRON explicitly hereby disclaims any and all warranty and/or representation, express or implied, related to completeness, accuracy, up-to-date of such information. DUALTRON reserves the right but not obligation to correct, implement and/or update the information. You shall use the information at your own risk. It is your sole responsibility to learn and understand any and all the law and/or regulation, requirements, prohibition, restriction and/or limitation imposed by either law, government authority, court, private party or the others that may apply to your use of this product.

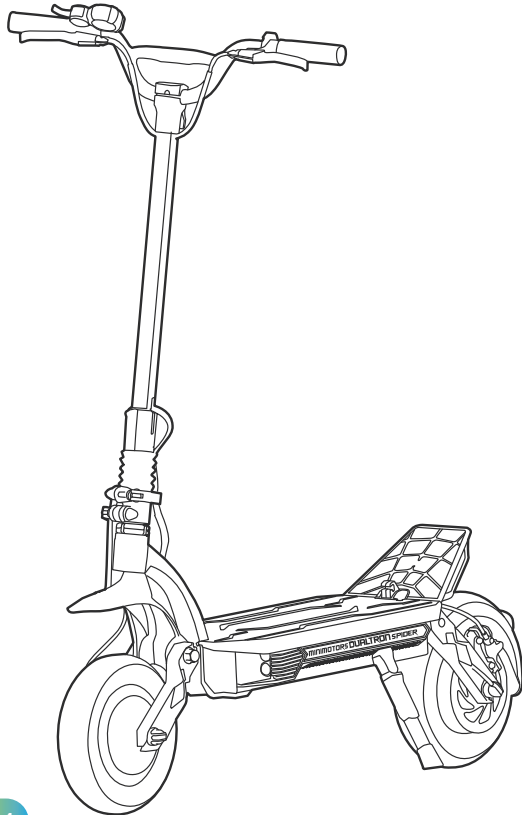
\*Theoretical Range: tested while riding with a full battery, 75 kg load, 25°C, at the speed of 25 km/h on average on pavement.

\*Typical Range: tested while riding with a full battery, 75 kg load, 25°C, at the speed of 50 km/h on average on pavement. (Some of the factors that affect range include speed, number of starts and stops, ambient temperature, etc.)

\*Max.Speed: tested while riding with a full battery,75kg load,25°C,straight road on flat road with no wind. (Some environmental factors can affect max speed,uneven roads, crooked roads, temperature, wind, etc.)



## Packing List



### Accessories



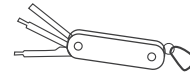
Battery charger x1



Manual



Screw Cap x 2



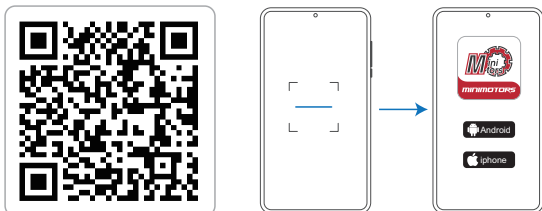
Multitool x 1



## Bluetooth Connection

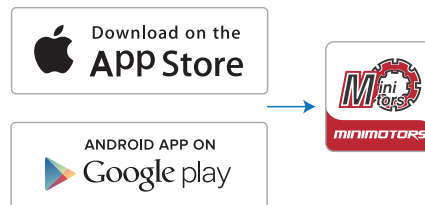
### APP Download Guide

#### Method 1



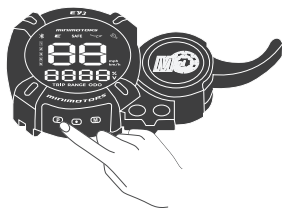
1. Scan the QR code to download the APP.
2. Choose the mobile phone system that suits you to install, and register / log in.

#### Method 2

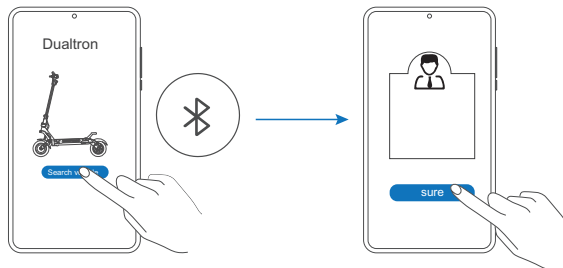


1. Search "DUALTRON" in the application and download it, and register / log in.

### Pair the Bluetooth on the APP



Power on the scooter.



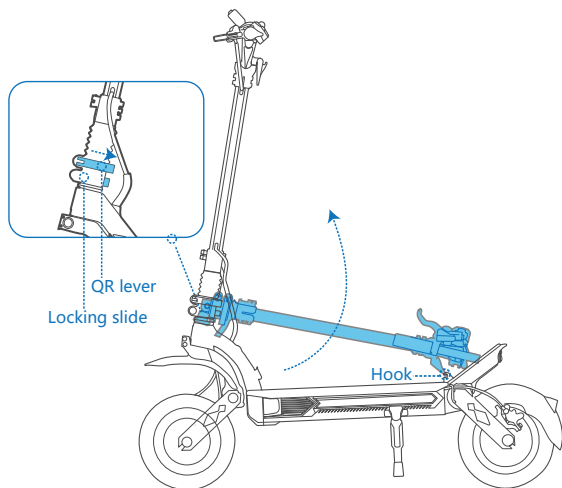
Click "Search vehicle" and pair with your scooter. \* The scooter is connected to the Dualtron app when the Bluetooth symbol lights up.

Select "bind as owner".  
(No one else can connect, only people authorized by you are allowed to connect. Authorizations are created on the app.)

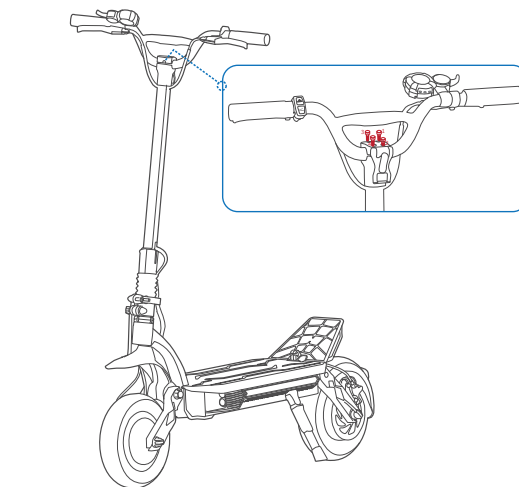




## Assembly



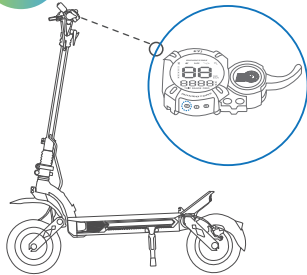
- ① Release the QR lever, raise the locking slide upwards, raise the steering tube, then lower the locking slide downward.
- ② Tighten the finishing screw properly to lock the QR lever so that the locking slide is firmly fixed in any direction, and check for looseness during use.



Attach the handlebar body and tighten the 4 screws. (When tightening the screw, the first step screw is 90% tight, you must tighten it diagonally, according to the order 1-4-2-3; The second step all screws are 100% tightened.)



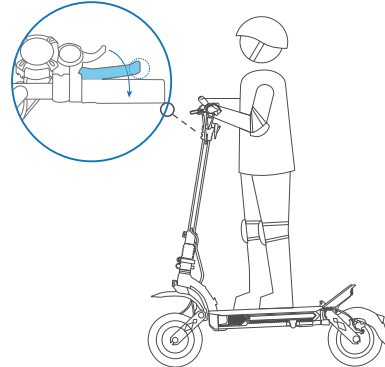
## How to Ride



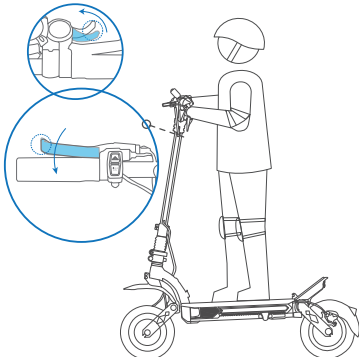
1. Power on the scooter and choose the speed mode. \* Please choose the speed mode before riding! Note: Speed mode can be choose via the Dualtron app.



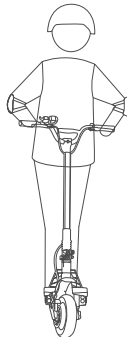
2. Stand on the footboard with one foot and push off with the other foot to start gliding. \*Make sure you have disabled SAFE mode.(SAFE mode setting via Dualtron app.Deactivate safe mode by squeezing brake lever.)



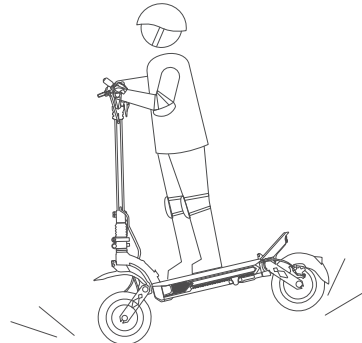
3. Put both feet on the footboard and stand stably. Pull the throttle to speed up.




4. Slow down by releasing the throttle and squeezing brake levers.



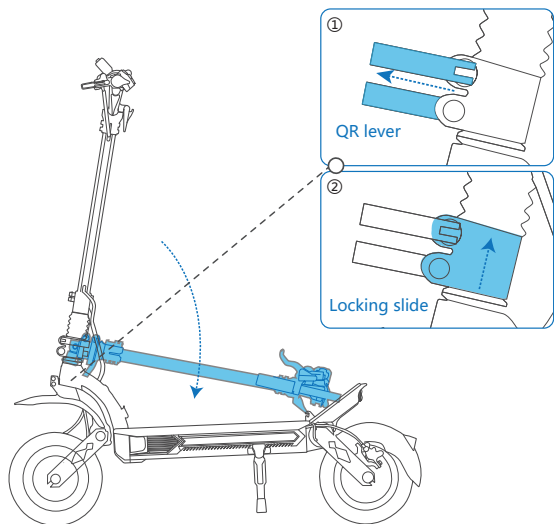
5. To turn, shift your body and turn the handlebar slightly. \* Please watch out for road conditions, sufficient turning space is required.



-  When hard braking, serious danger or injury may occur. Maintain a moderate speed and look out for potential hazards.



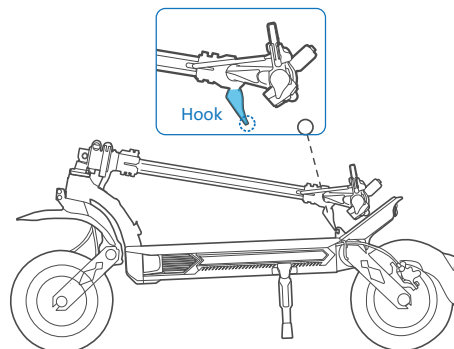
## Folding



① Loosen the QR lever and move the locking slide upward.

⚠️ You must hold the steering tube with your hand to prevent falling down and hitting.

② Lay the steering tube down while raising the locking slide.



Lock the handlebar hook to the footrest.

⚠️ Ensure that lock the handlebar when lift scooter.

