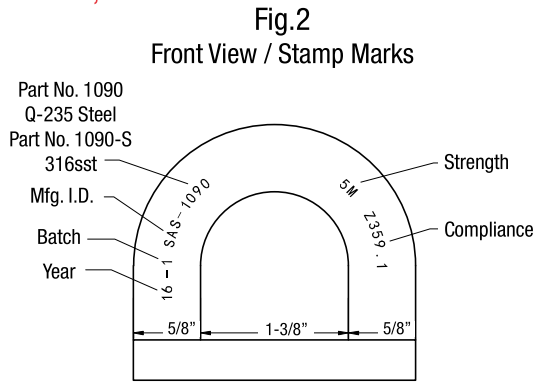
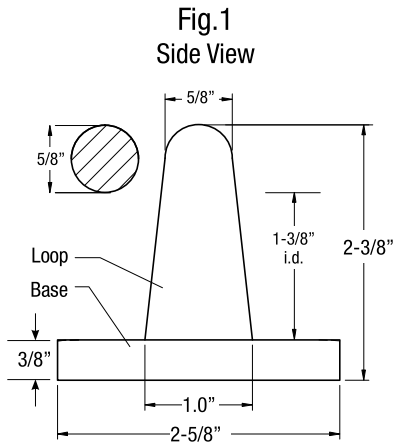
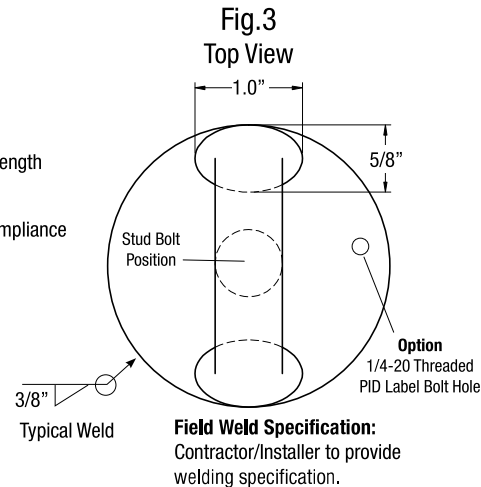


1-3/8" I.D. Loop Top
5,000lb Min. Tensile Strength
Max. Proof Load 2,500lb

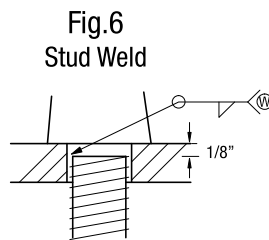
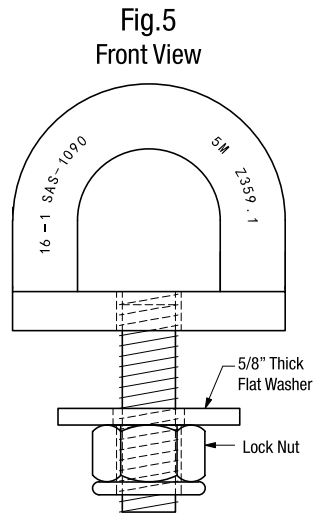
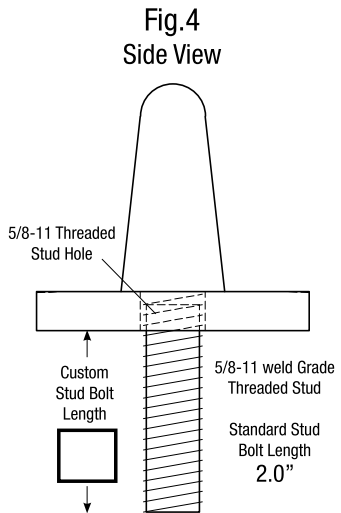


1090 Loop Top
Field Weld/Bolt Attached



Part No.:		Page:
Part Name:		Date:
Project Name:		By:
Contractor:		
Address:		
No. PCS	<input type="checkbox"/>	Standard Stud Bolt 2.0" Length
	<input type="checkbox"/>	Custom Stud Bolt Length
	<input type="checkbox"/>	<input type="checkbox"/>

1090 Stud Bolt Attached Loop Tops



Field Weld Loop Top

Part No. 1090	Part No. 1090-S	Part No. 1090-G
Q235 Raw Steel	316sst	HDG

Note: Loop top fixtures are imported cast steel

Bolt Attached Loop Top

Part No. 1090-RBS	Part No. 1090-SBS	Part No. 1090-GBS
Q235 Raw Steel	316sst	HDG

Note: Custom Length Stud Bolts are USA mfg.

Options

Fasteners			PID Label Bolt	
Include Lock Nut / Washer			1/4"-20	
Grade 5	Grade 8	18-8 SST	Tap	1/2" SST Bolt

Terms:
 Anchors or other products specified on this plan are to be custom manufactured by Customer. The Loop Top part is not returnable after fabrication of the Loop Top part has been authorized by the customers purchase order. A 50% deposit or house credit account is required to begin fabrication and the balance paid upon completion or credit terms.

Authorization for Fabrication/License

I accept the fabrication specifications, number of units required, project name or customers name, are correct as shown on this plan.

License For Non-Specified Use

Super Anchor Safety (SAS) mfg. loop tops are intended to be installed as specified in SAS instruction manuals and is not responsible for uses that incorporate loop tops as a component for fall protection or equipment designed and manufactured by others. SAS liability is limited to the integrity of the loop top only. This license requires the purchaser, fabricator, or installer to assume all liability for such uses on the project name above.

Warranty by Customer

Customer represents and warrants to SAS that any product manufactured by Customer that incorporates a SAS Loop Top will comply with any and all ANSI, CSA, and OSHA requirements for the intended use. Customer will indemnify and hold SAS harmless from any liability that may result from the use of SAS components in the product(s) manufactured by Customer or manufactured at Customer's request by third parties.

Print Name _____ Date: _____

Sign Name _____

Expires in 30 days from date of customers PO.

Instructions: Sign authorization and include company or dealers purchase order.
Note: Steel prices are subject to change without notice. Unit price quotes are guaranteed only when a PO and deposit have been received. Written or verbal quotes expire after 15 days. Request re-quote before ordering.

