

2.0" I.D. Loop Top  
 10,000lb Min. Tensile Strength  
 Max. Proof Load 5,000lb

## 1093 CAL-OSHA Field Weld Loop Top

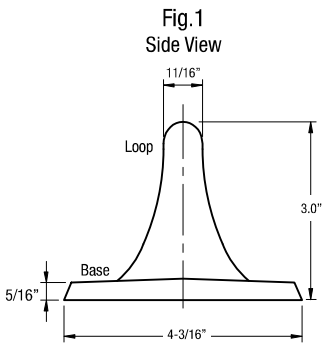
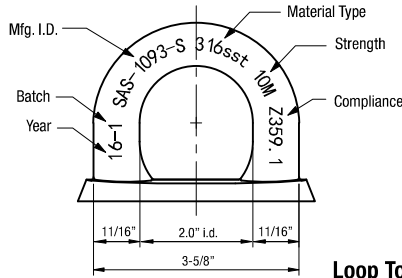


Fig. 1  
 Side View

Part No. 1093  
 Q-345 Steel  
 Part No.  
 1093-S 316sst

Fig. 2  
 Front View / Stamp Marks

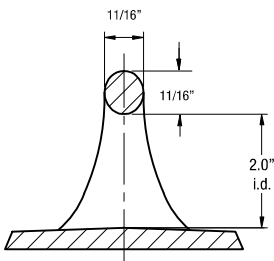


### Loop Top Specifications

Part No. 1093	Part No. 1093-S	Part No. 1093-G
Q345 Raw Steel	316sst	HDG

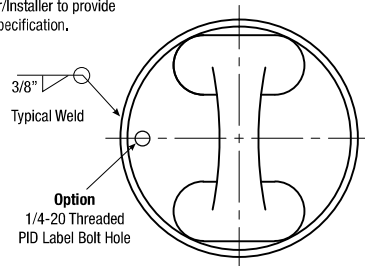
Note: Loop top fixtures are imported cast steel.

Fig. 3  
 Cross Section



**Field Weld Specification:**  
 Contractor/Installer to provide  
 welding specification.

Fig. 4  
 Top View



Option	
PID Label Bolt	1/4"-20
Tap	1/2" SST Bolt

Part No.:		Page:
Part Name:	CAL-OSHA Field Weld Top	Date:
Project Name:		By:
Contractor:		
Address:		
No. PCS	<input type="checkbox"/>	

**Terms:**  
 Anchors or other products specified on this plan are to be custom manufactured by Customer. The Loop Top part is not returnable after fabrication of the Loop Top part has been authorized by the customers purchase order. A 50% deposit or house credit account is required to begin fabrication and the balance paid upon completion or credit terms.

**Authorization for Fabrication/License**  
 I accept the fabrication specifications, number of units required, project name or customers name, are correct as shown on this plan.

**License For Non-Specified Use**  
 Super Anchor Safety (SAS) mfg. loop tops are intended to be installed as specified in SAS instruction manuals and is not responsible for uses that incorporate loop tops as a component for fall protection or equipment designed and manufactured by others. SAS liability is limited to the integrity of the loop top only. This license requires the purchaser, fabricator, or installer to assume all liability for such uses on the project name above.

**Warranty by Customer**  
 Customer represents and warrants to SAS that any product manufactured by Customer that incorporates a SAS Loop Top will comply with any and all ANSI, CSA, and OSHA requirements for the intended use. Customer will indemnify and hold SAS harmless from any liability that may result from the use of SAS components in the product(s) manufactured by Customer or manufactured at Customer's request by third parties.

Print Name \_\_\_\_\_ Date: \_\_\_\_\_

Sign Name \_\_\_\_\_

**Expires in 30 days from date of customers PO.**

Instructions: Sign authorization and include company or dealers purchase order.  
 Note: Steel prices are subject to change without notice. Unit price quotes are guaranteed only when a PO and deposit have been received. Written or verbal quotes expire after 15 days. Request re-quote before ordering.

