

# UGL1200NTBR

## External Magnet

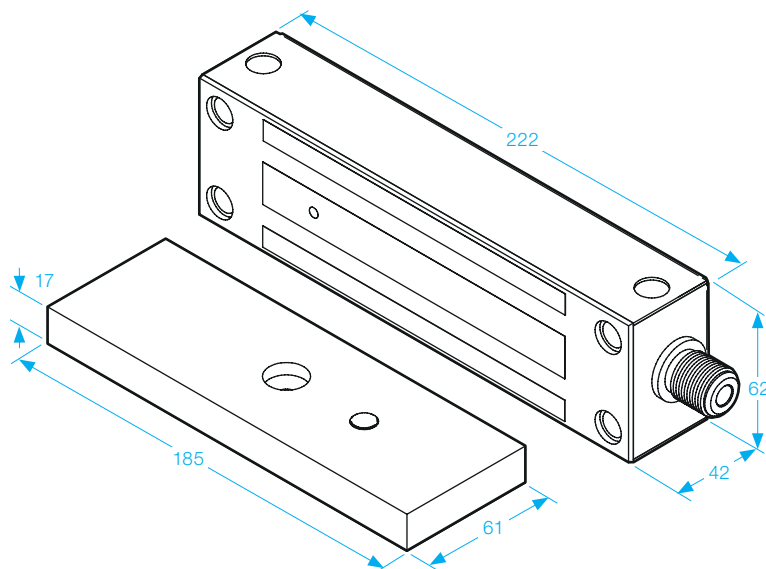
- Operating voltage 12~24Vdc  
(*Selectable*)
- Stainless Steel housing
- Holding force up to 1500lbs (680Kg)
- Sealed electronics



WEATHER  
RESISTANT  
- IP 67 -



STAINLESS  
STEEL



### Reed Sensor Contact



### CAUTION

Before applying power  
set wiring correctly.

### SPECIFICATION

- Voltage tolerance:  $\pm 10\%$ .
- Current draw: 420mA at 12Vdc, 210mA at 24Vdc (at temperature 20°C).
- Operating temperature: -10~55°C (14 to 131°F).
- Lock's surface temperature: Current temperature  $\pm 20\%$  (when power is on).
- Humidity: 0~95% non-condensing.
- Weight: 3.7kg (approx).
- Magnetic bond sensor monitor output remotely monitors the door lock or unlock status. (N.C. Output-Door opened; N.O. Output-door closed) (SPDT rated 0.25A at 12Vdc).