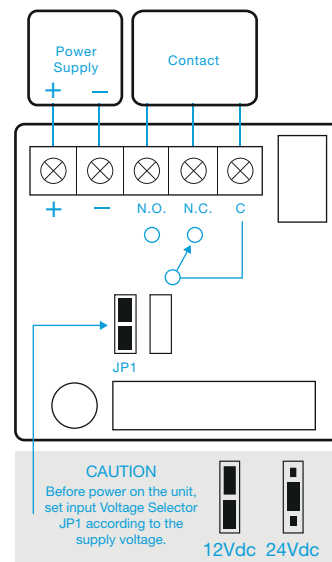
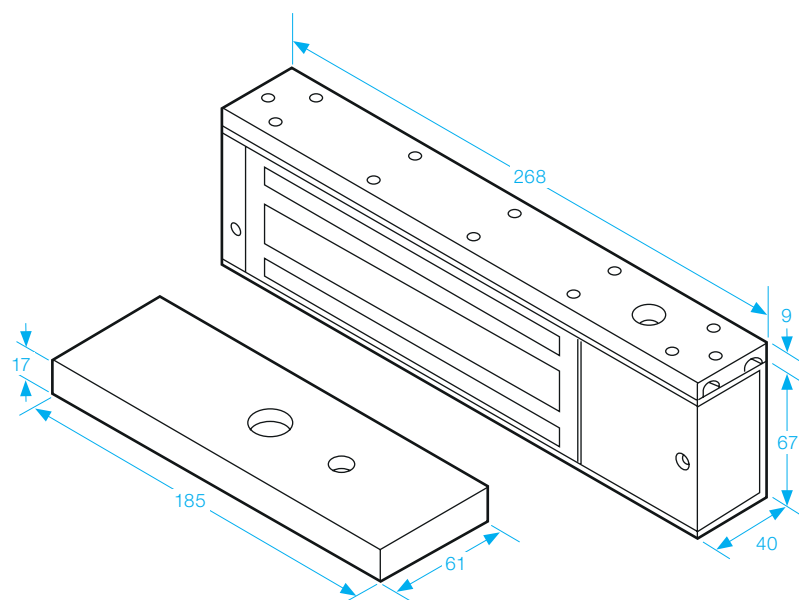


# U10010 UNMONITORED

# U10010DS UNMONITORED WITH DOOR STATUS

## Standard Magnet

- Operating voltage 12~24Vdc (*Selectable*)
- Holding force up to 1200lbs (*544Kg*)
- Aluminium housing
- Electroless nickel plated armature
- Door status: An independent contact that works separately from the magnet to show door status not lock status



**SPECIFICATION**

- Voltage tolerance:  $\pm 10\%$ .
- Current draw: 420mA at 12Vdc, 210mA at 24Vdc (at temperature 20°C).
- Operating temperature: -10~55°C (14 to 131°F).
- Lock's surface temperature: Current temperature  $\pm 20\%$  (when power is on).
- Magnetic bond sensor monitor output remotely monitors the door lock or unlock status. (N.C. Output-Door opened; N.O. Output-door closed) (SPDT rated 0.25A at 12Vdc).
- Humidity: 0~95% non-condensing.
- Aluminium housing, nickel plated armature.
- Weight: 4.71kg (approx).