

# U10006S

## Midi Magnet

- Operating voltage 12~24Vdc  
(*Selectable*)
- Stainless Steel housing
- Holding force up to 800lbs (363Kg)
- Sealed electronics
- Monitored



WEATHER  
RESISTANT  
- IP 67 -



STAINLESS  
STEEL



### OPTIONS

300BP



U320M



U300ZL



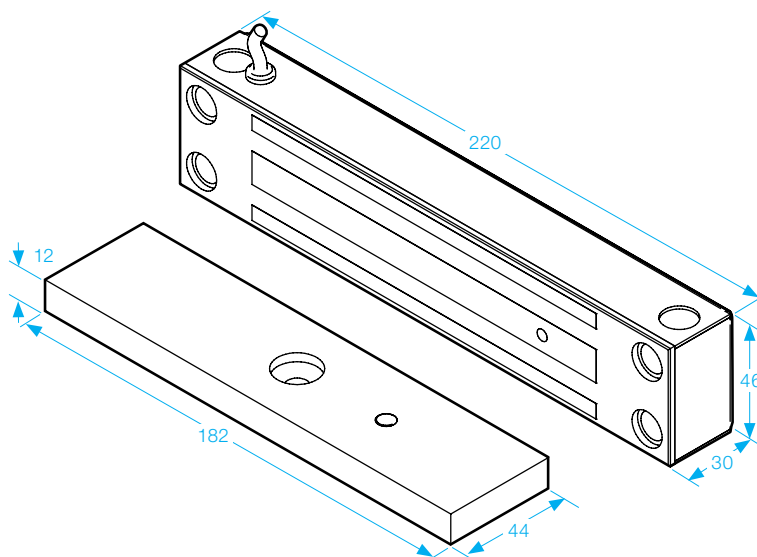
300ZLDC



U300AL



UGDB14



### Reed Sensor Contact



### CAUTION

Before applying power  
set wiring correctly.

### SPECIFICATION

- Voltage tolerance:  $\pm 10\%$ .
- Current draw: 460mA at 12Vdc, 230mA at 24Vdc  
(at temperature 20°C).
- Operating temperature: -10~55°C (14 to 131°F).
- Lock's surface temperature: Current temperature  $\pm 20\%$   
(when power is on).
- Magnetic bond sensor monitor output remotely monitors the  
door lock or unlock status. (N.C. Output-Door opened; N.O. Output-  
door closed) (SPDT rated 0.25A at 12Vdc).
- Humidity: 0~95% non-condensing.
- Weight: 2.9kg (approx).