

# U10005 MONITORED

# U10005DS MONITORED WITH DOOR STATUS

## Double Mini Magnet

- Operating voltage 12~24Vdc (*Selectable*)
- Holding force up to 2 x 600lbs (*272Kg*)
- Aluminium housing
- Electroless Nickel Plated Armature
- Door status: An independent contact that works separately from the magnet to show door status not lock status
- Status LED ● Red ● Green



OPTIONS

300BP

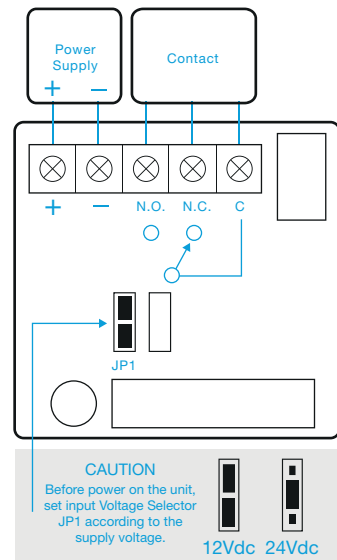
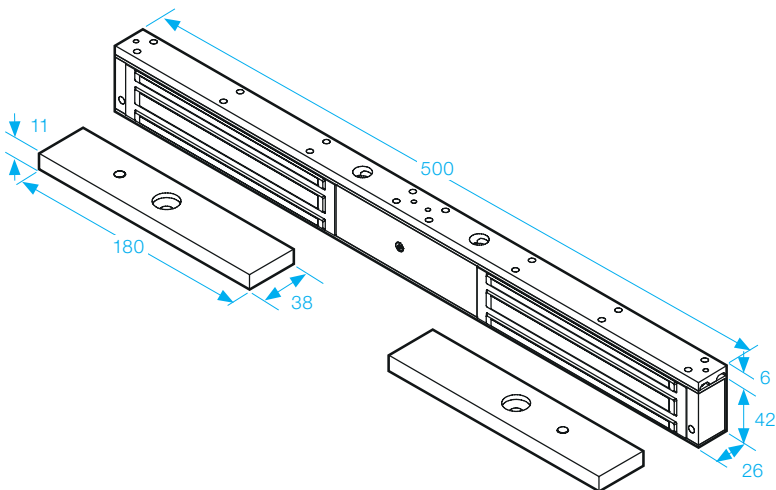
U320M

U300ZL

300ZLDC

U300AL

UGDB14



SPECIFICATION

- Voltage tolerance:  $\pm 10\%$ .
- Current draw: 480mA at 12Vdc, 240mA at 24Vdc (*at temperature 20°C*).
- Operating temperature:  $-10\sim 55^{\circ}\text{C}$  (*14 to 131°F*).
- Lock's surface temperature: Current temperature  $\pm 20\%$  (*when power is on*).
- Humidity: 0~95% non-condensing.
- Weight: 3.7kg (*approx*).