

U10003F/S

Micro Mortice Magnet

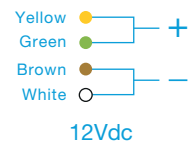
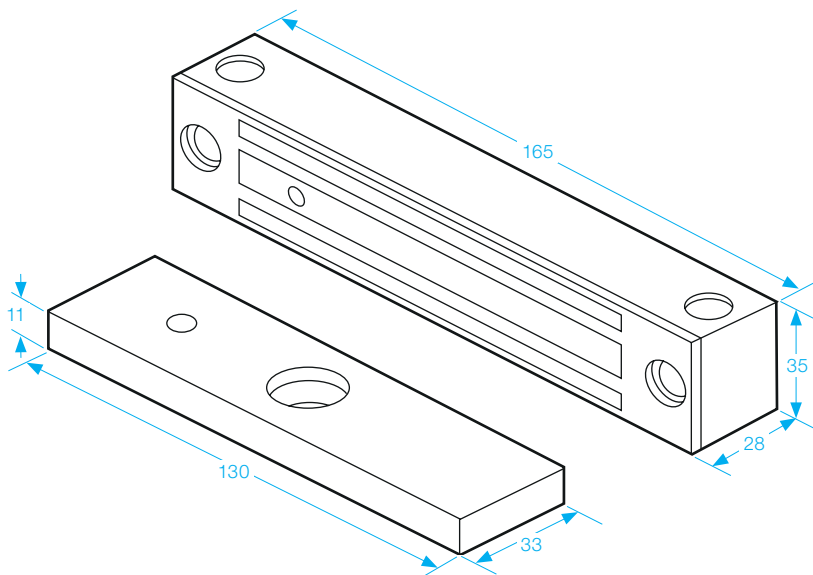
- Operating voltage 12~24Vdc
(Selectable)
- Stainless Steel housing
- Holding force up to 300lbs (136Kg)
- Sealed electronics
- Monitored



WEATHER
RESISTANT
- IP 67 -



STAINLESS
STEEL



Reed Sensor Contact



CAUTION
Before applying power
set wiring correctly.

SPECIFICATION

- Voltage tolerance: $\pm 10\%$.
- Current draw: 300mA at 12Vdc, 150mA at 24Vdc (at temperature 20°C).
- Operating temperature: -10~55°C (14 to 131°F).
- Lock's surface temperature: Current temperature $\pm 20\%$ (when power is on).
- Humidity: 0~95% non-condensing.
- Weight: 1.5kg (approx).