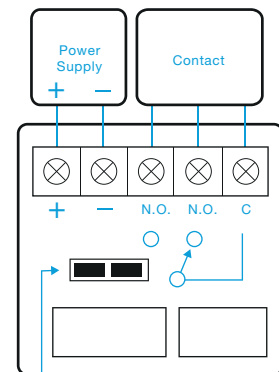
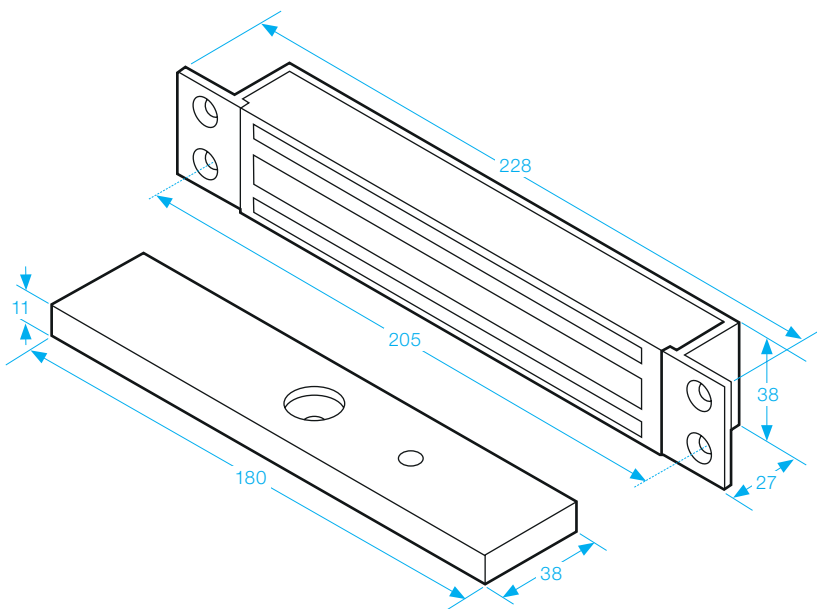


U10000 UNMONITORED

U10000R MONITORED

Mini Mortice Magnet

- Operating voltage 12~24Vdc
(Selectable)
- Holding force up to 600lbs (272Kg)
- Aluminium housing
- Electroless Nickel Plated Armature
- Mortice mounting



CAUTION
Before power on the unit,
set input Voltage Selector
according to the supply voltage.



CONTACT ONLY ON U10000R

SPECIFICATION

- Voltage tolerance: $\pm 10\%$.
- Current draw: 480mA at 12Vdc, 240mA at 24Vdc
(at temperature 20°C).
- Operating temperature: -10~55°C (14 to 131°F).
- Lock's surface temperature: Current temperature $\pm 20\%$
(when power is on).
- Magnetic bond sensor monitor output remotely monitors the
door lock or unlock status. (N.C. Output-Door opened; N.O. Output-
door closed) (SPDT rated 0.25A at 12Vdc).
- Humidity: 0~95% non-condensing.
- Aluminium housing, nickel plated armature.
- Weight: 2.0kg (approx).