

PBT-861BS Series



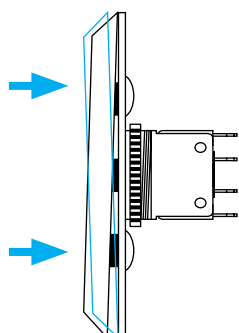
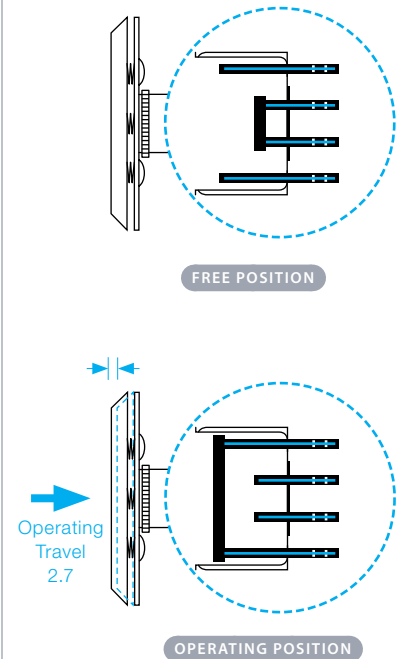
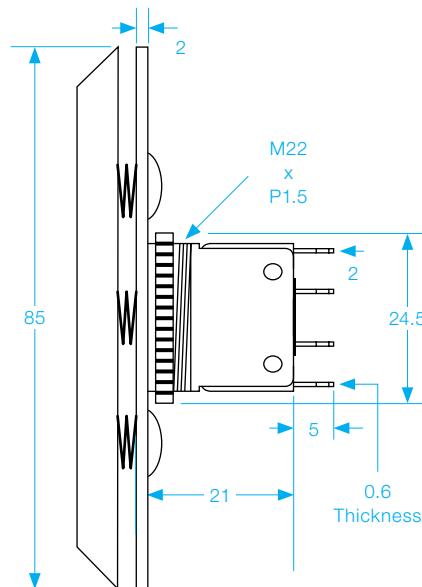
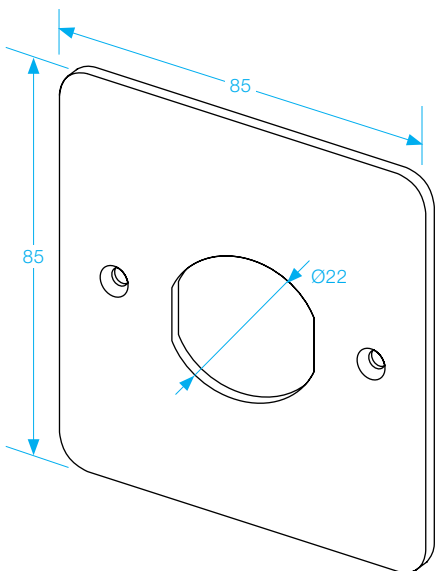
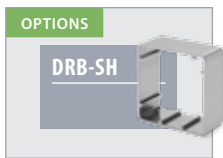
Exit Button

- Brushed Stainless Steel
- 85mm raised button
- Flush mount
- COM-N/O
COM-N/C

PBT-861BS-R
RED BUTTON

PBT-861BS-G
GREEN BUTTON

PBT-861BS-B
BLUE BUTTON



BUTTON ACTION

You can touch the push button on any part of the face to create the contact action.

SPECIFICATION

- Switch Rating: 5A/125Vac.
- Contact resistance: 50mΩ Max. (Initial).
- Operating travel: 2.7mm.
- Operating life (Mechanical): Over 100,000 times.