

# PBA-860S

SILVER

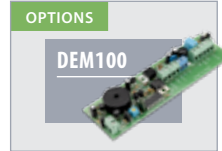
# PBA-860G

GREEN



## Micro Switched Push Bar

- Aluminium
- 2 pole
- Surface mount
- COM / NO / NC Change-over-contacts



PBA-860		
L	W	D
(up to) 860	60	62

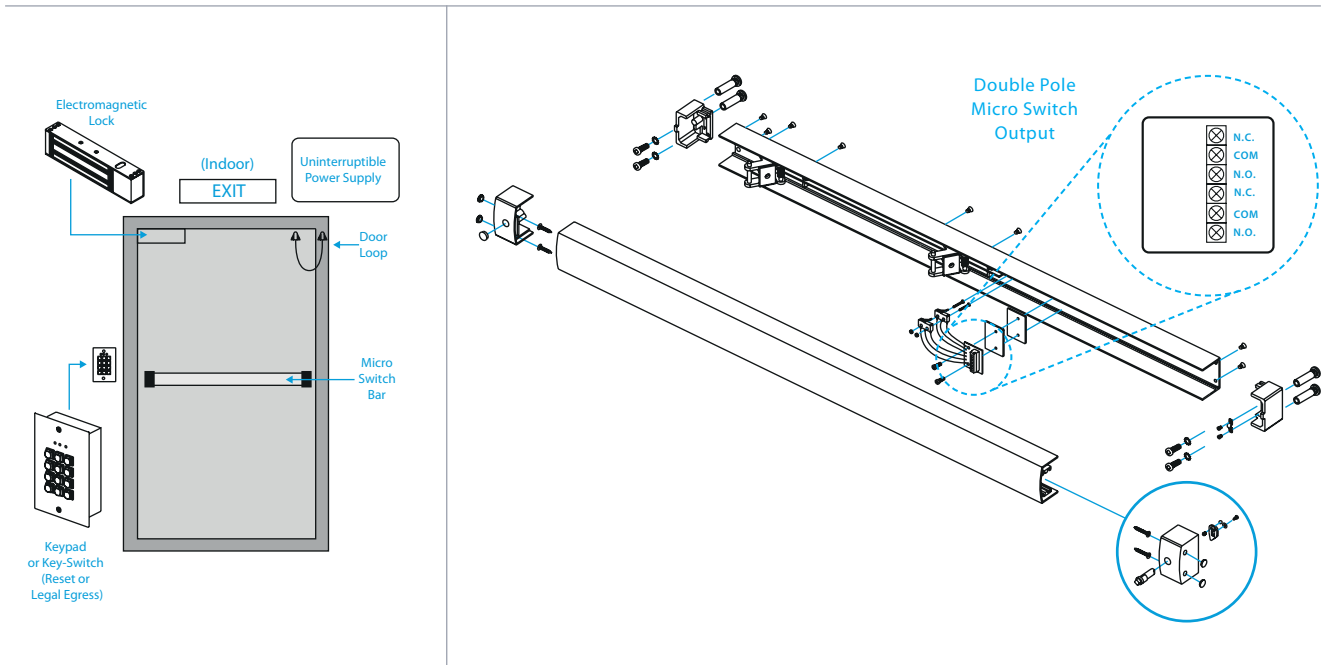


FIG A

The locking device was released by connecting PBA-860 switch output to 'Request-to-Exit' input contact on control device.

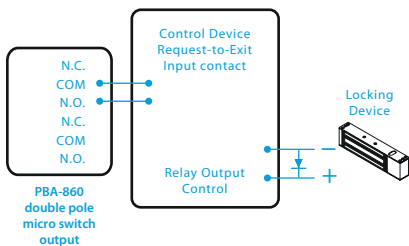


FIG B

The locking device was released by PBA-860 switch output directly.

