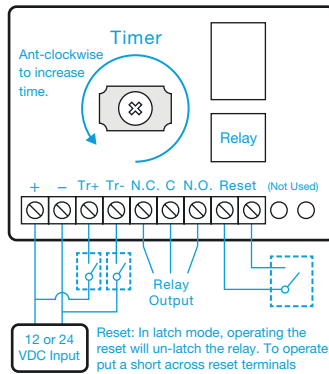


# RT 110

## Adjustable Timer

- Power input 12~24Vdc
- Adjustable timer 1 sec to 10 mins
- + or – trigger

H	W	D
63	73	20

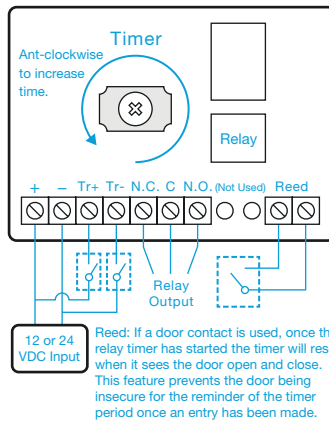


# RT 115

## Adjustable Timer

- Power input 12~24Vdc
- Adjustable timer 0-15 secs
- 5Amp relay rated
- + or – trigger

H	W	D
63	73	20



# MT Relay

## Timer Relay

- Power input 12Vdc
- Timer relay 0-30 secs
- NO/NC/COM
- 1 Output
- VE Trigger

L	H	D
60	40	20

