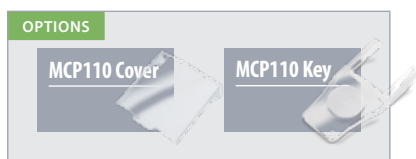


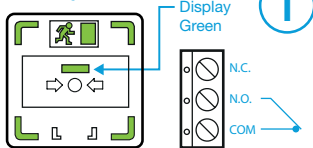
MCP-110

Resettable Illuminated Call Point with Sounder

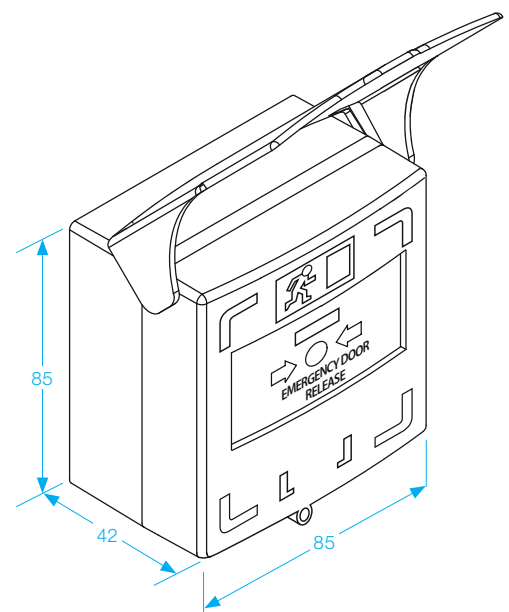
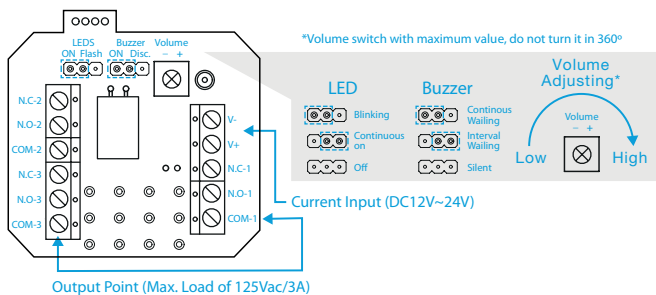
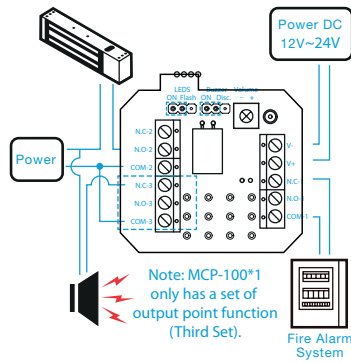
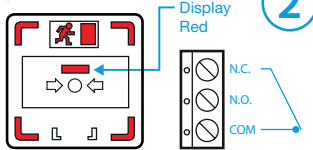
- Operating voltage 12 or 24Vdc
- Green plastic
- Resettable
- Adjustable sounder
- Adjustable LED
- Single gang
- Triple pole
- Surface mount



Standby



Operation



SPECIFICATION

- COM / NO / NC Change-over-contacts x 2
- Contact resistance 150m
- Contact resistance 3A @125V~