

GL-80F

Minature Waterproof Magnetic Lock

- Operating voltage 12 or 24Vdc
- Brushed Stainless Steel
- Holding force up to 80lbs (36kg)



WEATHER
RESISTANT
– IP 65 –

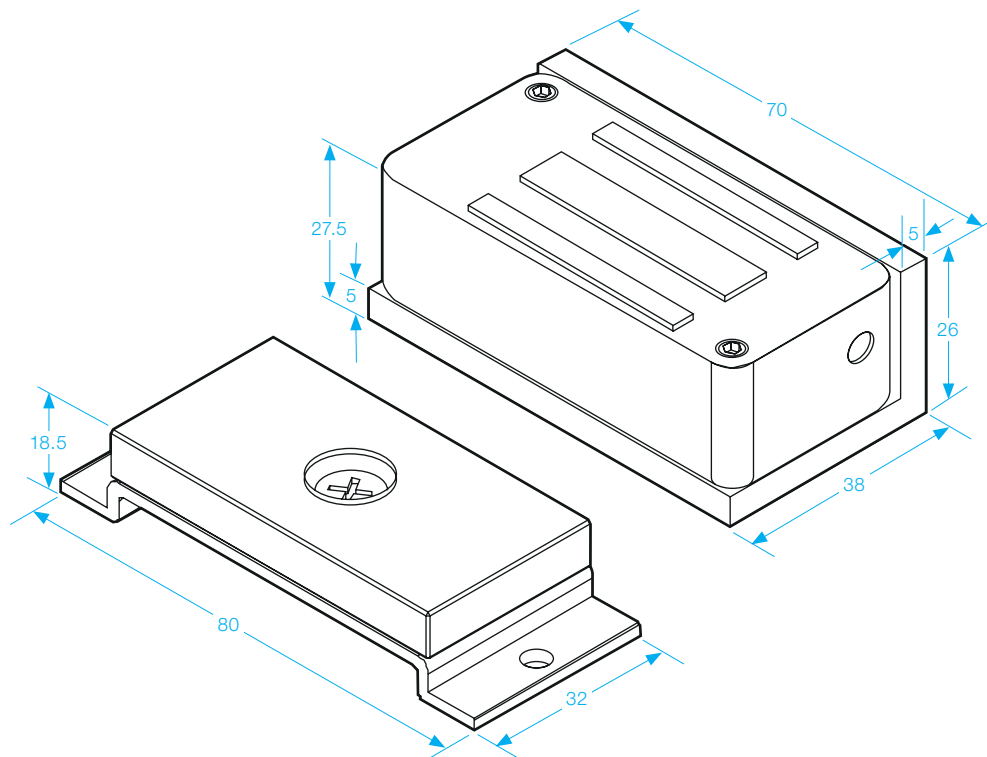


STAINLESS
STEEL



OPTIONS

L-GL80F



SPECIFICATION

- Voltage tolerance: $\pm 15\%$.
- Current draw: 140mA at 12Vdc, 170mA at 24Vdc (at temperature 20°C).
- Operating temperature: -10~55°C (14 to 131°F).
- Lock's surface temperature: Current temperature $\pm 20\%$ (when power is on).
- Weight: 350g (approx).