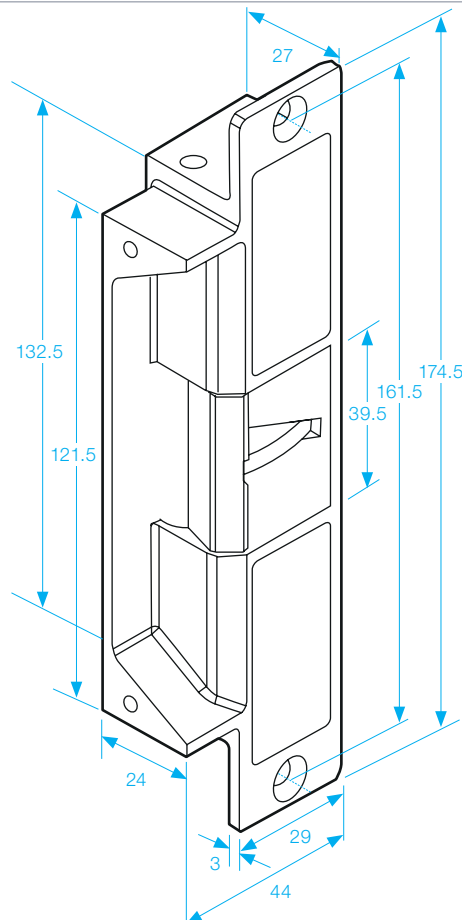


GK700

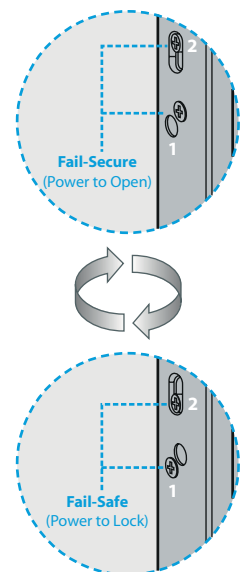
Electric Release

- Operating voltage 12~24Vac/Vdc
- Fail-Safe/Fail-Secure (*Selectable*)
- High security
- Dual monitored lock and cam



FLEXIBLE SOLUTIONS

The GK700 electric strike can easily change between Fail-Safe and Fail-Secure modes. This unique design enables distributors to reduce inventory and still meet varying needs and requirements of end users.



SPECIFICATION

- Voltage tolerance: $\pm 15\%$.
- Current draw: 210mA at 12Vdc, 140A at 24Vdc (at temperature 20°C).
- Operating temperature: -10~45°C (14 to 131°F).
- Lock's surface temperature: Current temperature $\pm 20\%$ (when power is on).
- Humidity: 0~95% non-condensing.
- Tested to 1,000,000 cycles
- 2000lbs jaw strength pull testing.