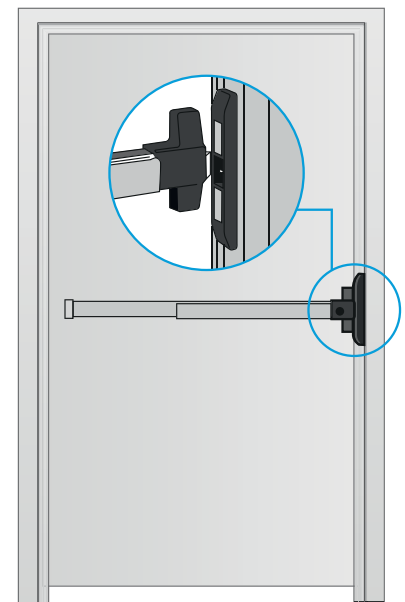
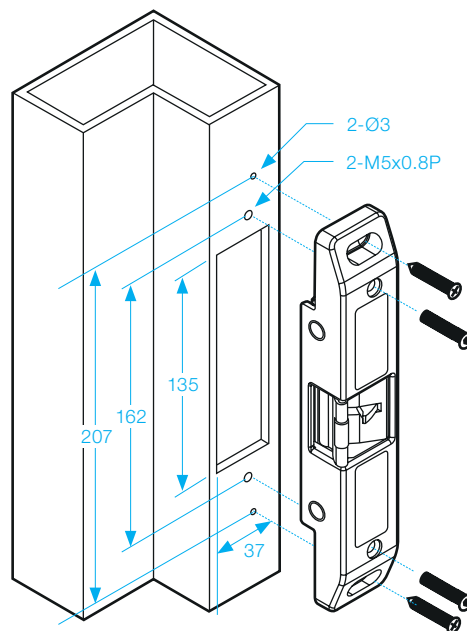
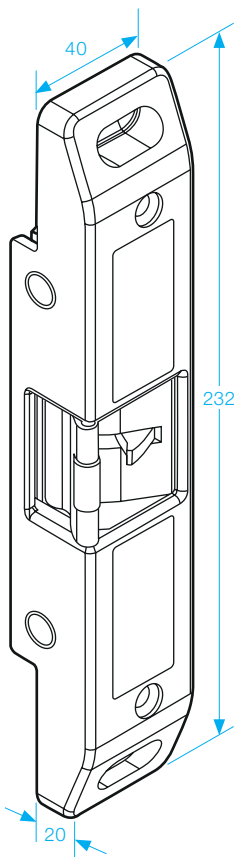


# GK1100

## Electric Release

- Operating voltage 12~28Vac/Vdc
- Fail-Safe/Fail-Secure (*Selectable*)
- Long life solenoid
- 17mm maximum latch throw
- Lock & unlock / door status output
- Suitable with panic bar (*Latch*)

### SPECIFICATION

- Voltage tolerance:  $\pm 15\%$ .
- Current draw: 230mA at 12Vdc, 140mA at 28Vdc, 440mA at 12Vac, 230mA at 28Vac (at temperature 20°C).
- Operating temperature: -10~45°C (14 to 131°F).
- Lock's surface temperature: Current temperature  $\pm 20\%$  (when power is on).
- Reed switch rating: 1A/125Vac
- Humidity: 0~95% non-condensing.
- Tested to 1,000,000 cycles (*solenoid*).
- Material: Metal surface.
- 1500lbs jaw strength pull testing.
- Net Weight: 752g.