



GD830S-12 12 VDC

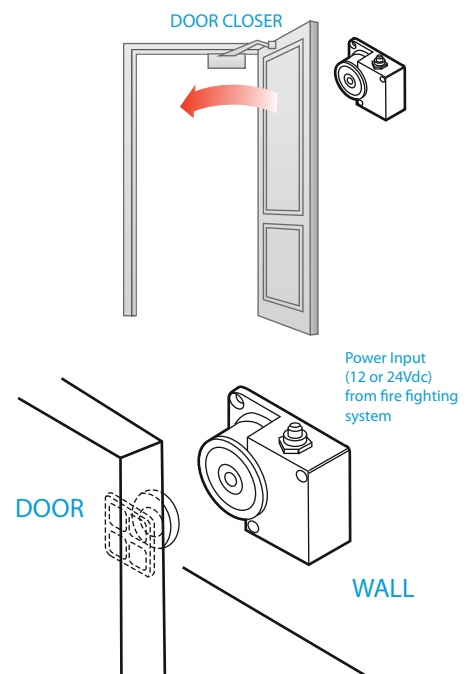
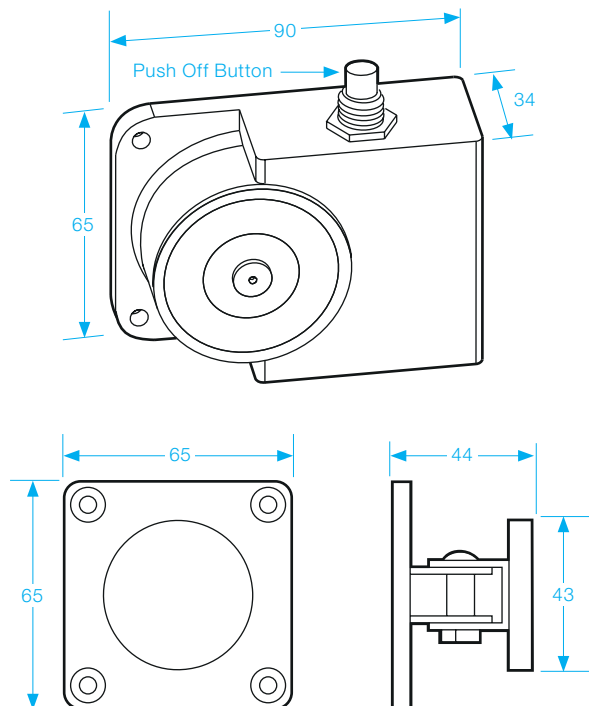
GD830S-24 24 VDC

Door Retaining Magnet

- Operating voltage 12 or 24Vdc
- Up to 100lbs (45kg) holding force
- Override switch
- Surface mount
- Black powder-coat finish



FIRE
TESTED
- EN1155 -



SPECIFICATION

- Voltage tolerance: $\pm 15\%$.
- Current draw: 130mA at 12Vdc, 60mA at 24Vdc at temperature 20°C.
- Operating temperature: -10~45°C (14 to 131°F).
- Humidity: 0~95% non-condensing.
- Weight: 380g (approx).