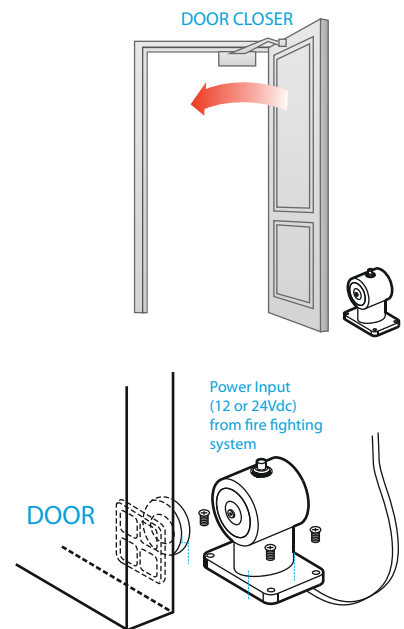
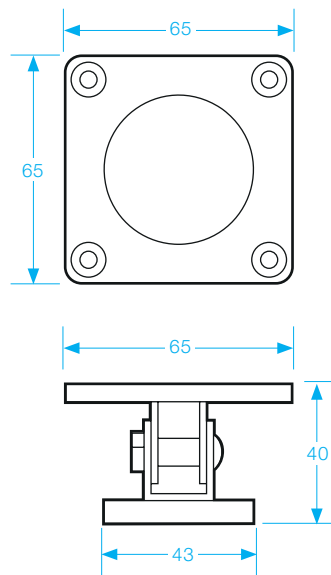
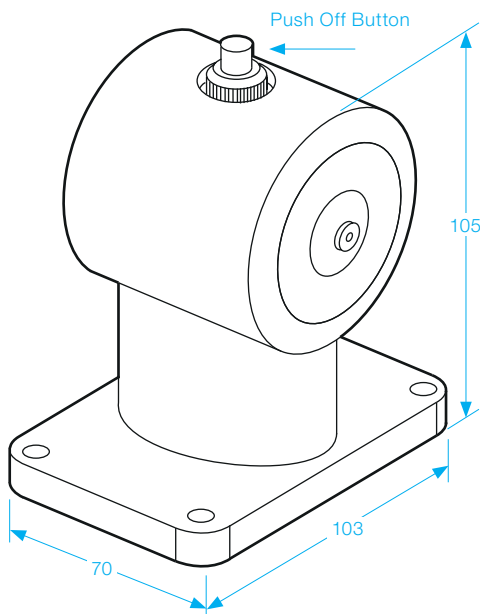


# GD830F-12 12 VDC

# GD830F-24 24 VDC

## Door Retaining Magnet

- Operating voltage 12 or 24Vdc
- Up to 100lbs (45kg) holding force
- Override switch
- Floor mount
- Black powder-coat finish



**SPECIFICATION**

- Voltage tolerance:  $\pm 15\%$ .
- Current draw: 130mA at 12Vdc, 60mA at 24Vdc (at temperature 20°C).
- Operating temperature: -10~45°C (14 to 131°F).
- Humidity: 0~95% non-condensing.
- Weight: 380g (approx).