

GD650S-12 12 VDC

GD650S-24 24 VDC

Door Retaining Magnet

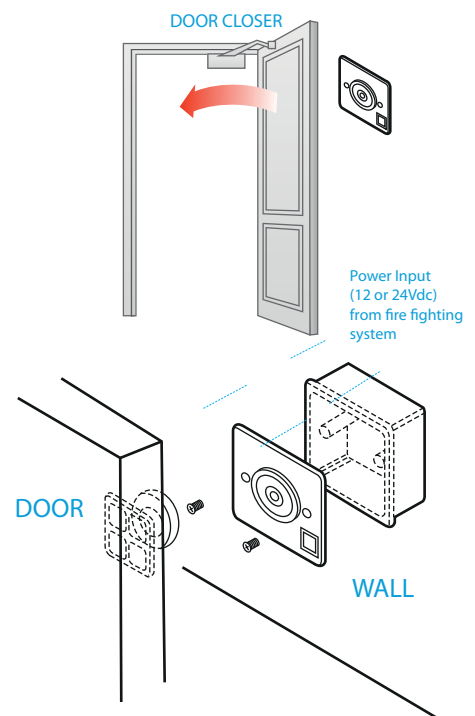
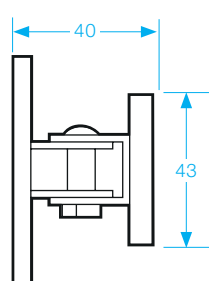
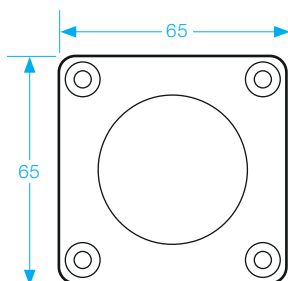
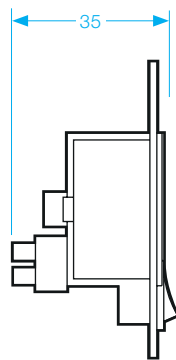
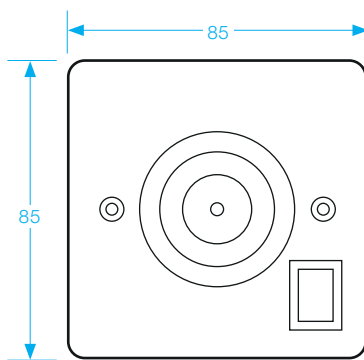
- Operating voltage 12 or 24Vdc
- Up to 100lbs (45kg) holding force
- Override switch
- Flush mount



STAINLESS
STEEL



FIRE
TESTED
- EN1155 -



SPECIFICATION

- Voltage tolerance: $\pm 15\%$.
- Current draw: 150mA at 12Vdc, 70mA at 24Vdc (at temperature 20°C).
- Operating temperature: -10~45°C (14 to 131°F).
- Humidity: 0~95% non-condensing.
- Weight: 380g (approx).