

EASIPROX

Standalone Proximity



- Operating voltage 12Vdc
- ABS plastic
- Allows up to 2000 users
- Self contained
- 2 LED displays

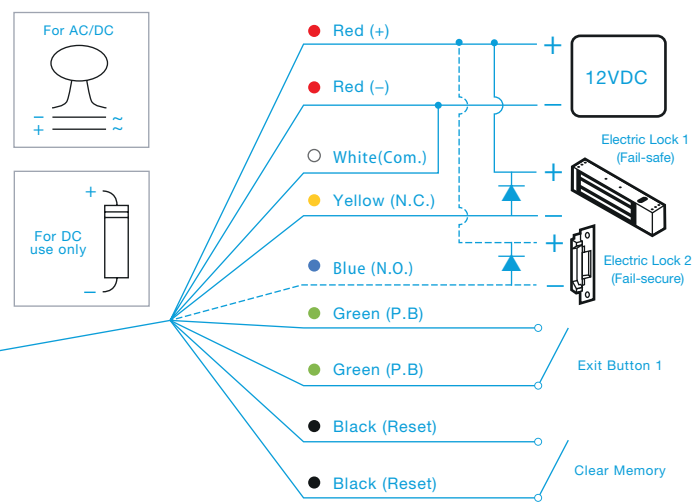
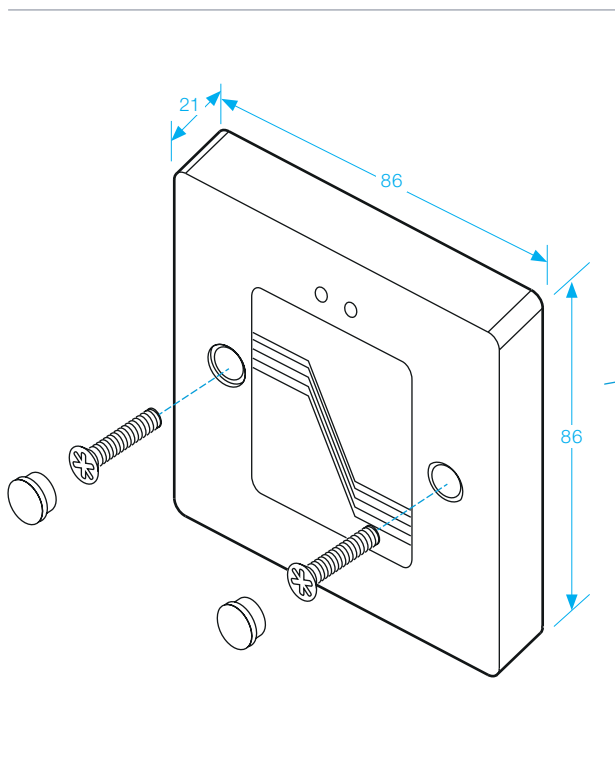


WEATHER RESISTANT
- IP 67 -



OPTIONS

- STD-PC
- STD-PCPS
- KT-10
- KT-10BC
- KT-15EM
- KT-16
- 621-11
- Simulator



RED	12VDC (POLARITY FREE)	GREEN	EXIT BUTTON
RED	12VDC (POLARITY FREE)	GREEN	EXIT BUTTON
WHITE	COM.	BLACK	CLEAR ALL MEMORY
YELLOW	N.C.	BLACK	CLEAR ALL MEMORY
BLUE	N.O.		

SPECIFICATION

- Current Draw: Pull In: 70mA/12Vdc; Holding 45 mA/12Vdc.
- RF Frequency: 125 KHz.
- Input: 1 contact for Request-to-Exit button.
- Output: 1 relay (Dry contacts: N.O./N.C./Com.)
- Format: EM-400 x 64-bit Standard R/O or Compatible.
- Relay rating: Max. 5A/250 Vac.
- Relay Strike Time: 0.7~42 seconds.
- Read range: 10 to 15 cm.
- Field proven unique master card to add or delete cards.
- Non-volatile memory.