

DG 800



Combined Proximity and Keypad Access

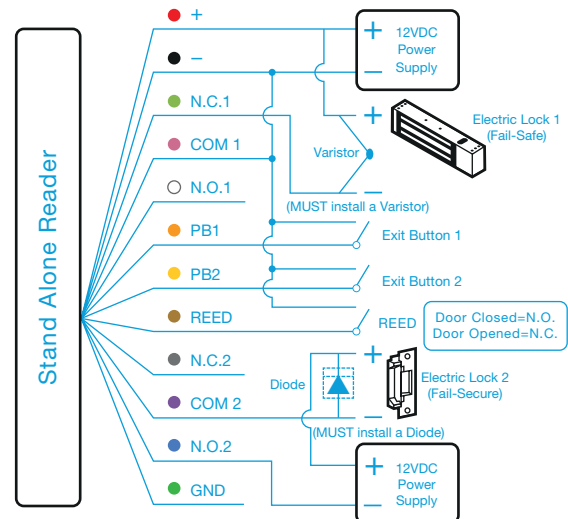
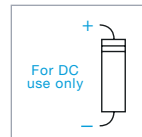
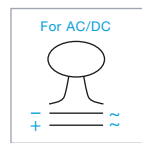
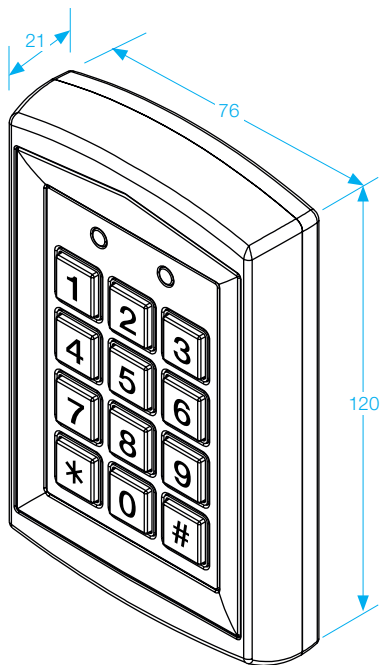
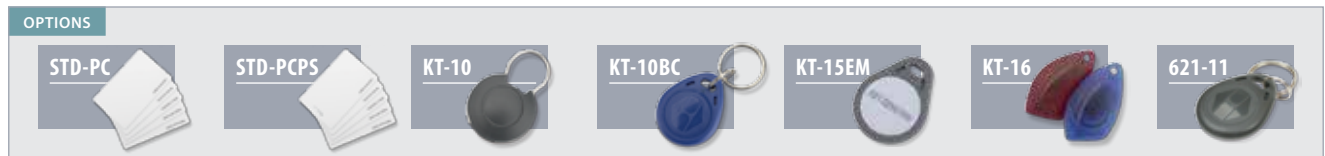
- Operating voltage 12~24Vac/Vdc
- Die-cast Aluminium
- 1000+10 Proximity cards, tokens and PIN's
- Backlit keypad
- 2 LED displays with audible indication



WEATHER RESISTANT
- IP 65 -



VANDAL RESISTANT



RED	+	PINK	COM. 1	YELLOW	PB2	PURPLE	COM.2
BLACK	-	WHITE	N.O.1	BROWN	REED	BLUE	N.O.2
LIGHT GREEN	N.C.1	ORANGE	PB1	GREY	N.C.2	GREEN	GND

SPECIFICATION

- Current draw: Pull in: 100mA/12Vdc; Holding: 70mA/12Vdc. Pull in: 50mA/24Vdc; Holding: 35mA/24Vdc.
- Input: Request-to-Exit, time out reed switch contact.
- Output: Dual relays, N.O./N.C/Com.
- Relays rating: 2A MAX@30Vdc., 0.6A@120Vac.
- Programmable 4 digit code.
- RF frequency: EM 125 KHz.
- Relay strike time: 01~99 seconds or toggle mode (00).
- Read range: 5cm. (In noise -free environment).