

DG-160

Combined Proximity and Keypad Access

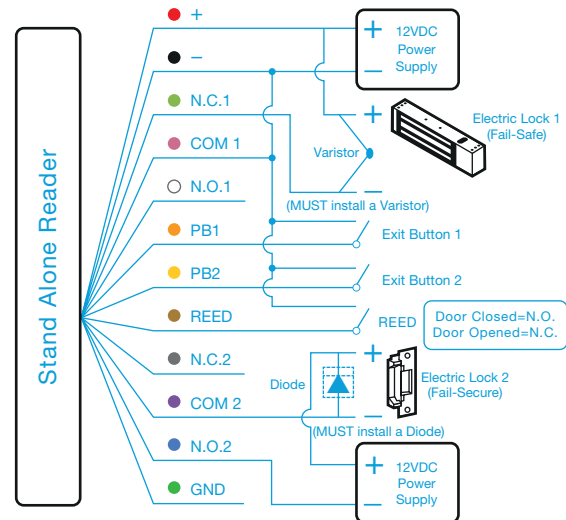
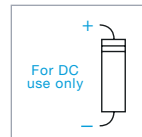
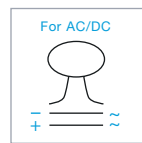
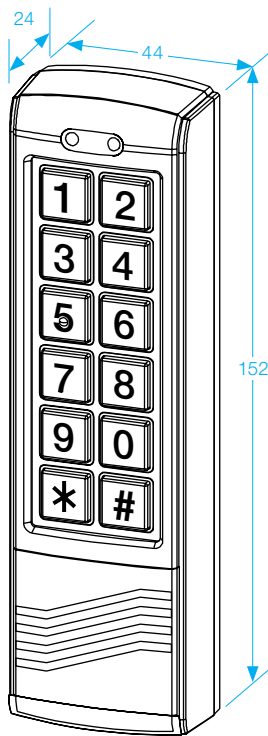
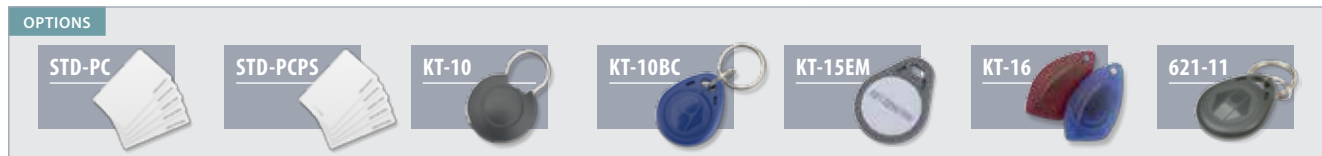
- Operating voltage 12Vdc
- Aluminium
- 1000+10 proximity cards, tokens and PIN's
- Backlit keypad
- Built in anti-tamper switch
- 2 LED displays



WEATHER RESISTANT
- IP 65 -



VANDAL RESISTANT



RED	+	PINK	COM. 1	YELLOW	PB2	PURPLE	COM.2
BLACK	-	WHITE	N.O.1	BROWN	REED	BLUE	N.O.2
LIGHT GREEN	N.C.1	ORANGE	PB1	GREY	N.C.2	GREEN	GND

SPECIFICATION

- Current Draw: Pull In: 60mA/12Vdc; Holding: 40mA/12Vdc.
- Input: Request-to-Exit, time out reed switch contact.
- Output: 2 relays, N.O./N.C/Com.
- RF Frequency: EM 125 KHz.
- Relay strike time: 01~99 seconds or toggle mode (00).
- Relay rating: Max.2A/30Vdc; 0.6A/120Vac.
- Read range: 5cm (In noise -free environment).
- Epoxy sealed