

DG-15LD

Standalone Keypad Access



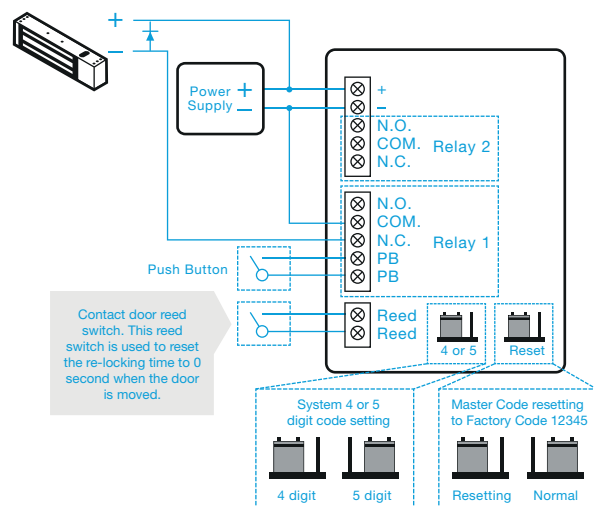
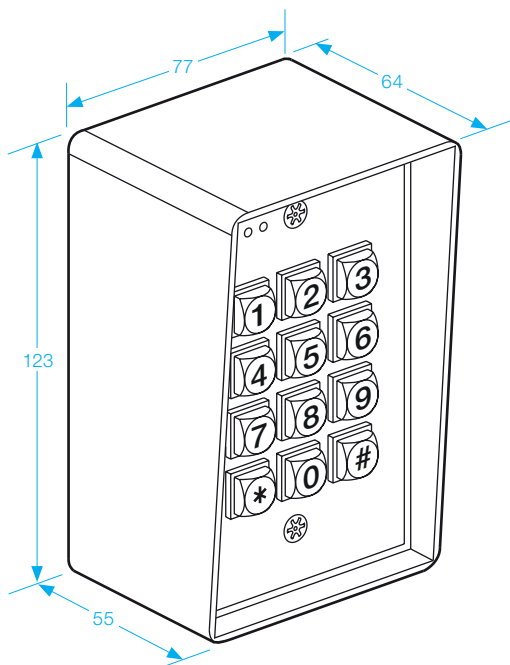
- Operating voltage 12~24Vdc
- Die-cast Aluminium
- Allows up to 20+1 PIN codes
- Backlit keypad
- Dual relays output for multi-control
- 3 LED displays with audible indication



WEATHER
RESISTANT



VANDAL
RESISTANT



SPECIFICATION

- Current draw: Average 15mA, Peak 100mA@12Vdc.
- Input: 2 x Request-to-exit, time out reed switch contact.
- Output: Dual relays, N.O./N.C./Com. Output (*volt free contact*).
- Relays Rating: 2A MAX@30Vdc., 0.4A@120Vac.
- Fully programmable via keypad and master code.
- Factory master code: 12345.
- Memory Volume: 20+1 PIN codes.
Relay 1 is controlled by *01~*20 user slots.
Relay 2 is controlled by *21 user slots.
- Invalid PIN Lock-out: The system will shut down for 60 seconds while 30 codes of incorrectly Master Codes enrolled or Pin codes attempted (*None beeper signal of keypad activations*).