

# DG-101WI

WHITE

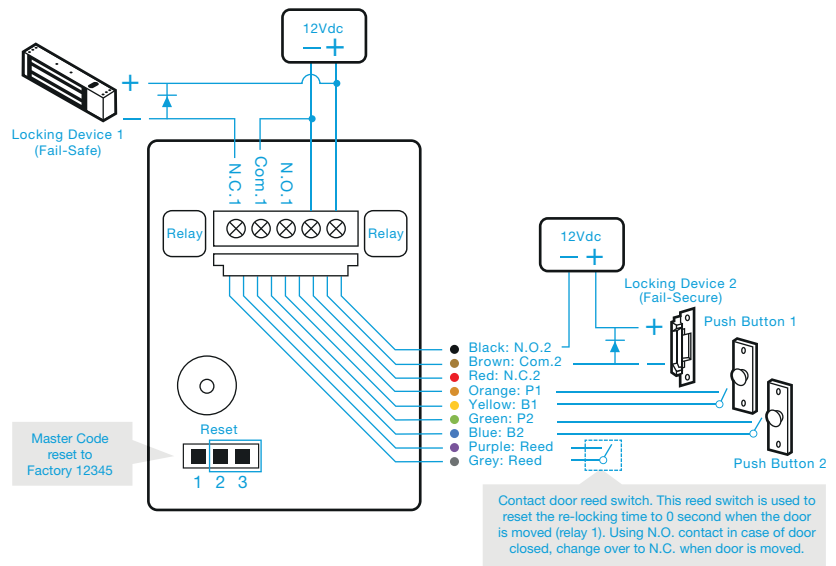
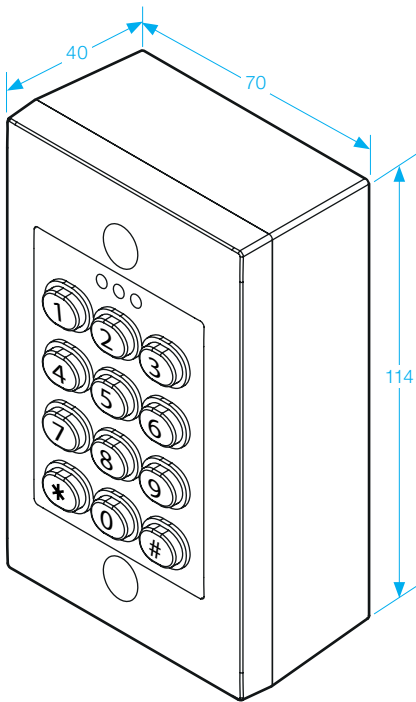
# DG-101BA

BLACK



## Standalone Keypad Access

- Operating voltage 12~24Vdc
- ABS plastic
- Allows up to 49+50 PIN codes
- Dual relays output for multi control
- Fully programmable via keypad and master code
- 5 digit codes only
- 3 LED displays with audible indication



### SPECIFICATION

- Current draw: Pull in: 60mA/12Vdc; Holding: 15mA/12Vdc.
- Output: Dual relays, N.O./N.C/Com.
- Relays rating: 2A@30Vdc., 0.4A@120Vac.
- Memory volume: 49+50 PIN codes.  
Relay 1 is controlled by 001~049 user slots.  
Relay 2 is controlled by 050~099 user slots.