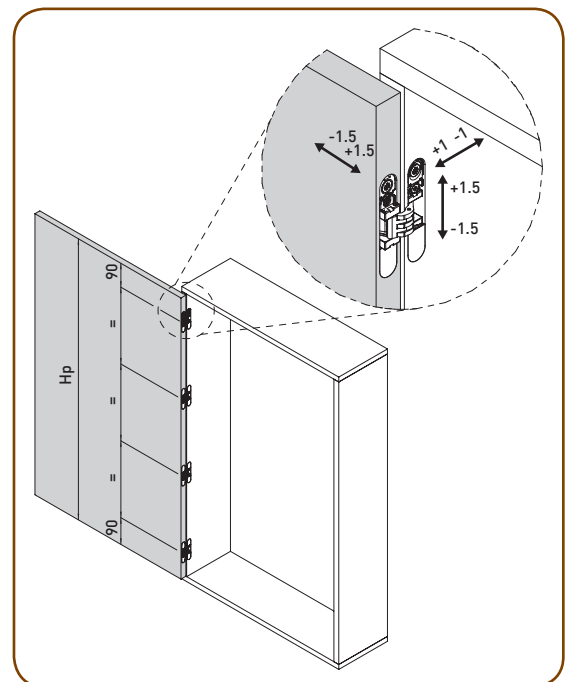
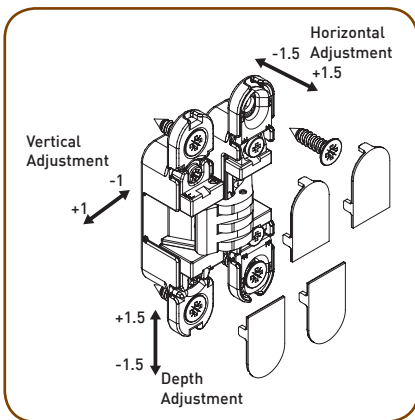
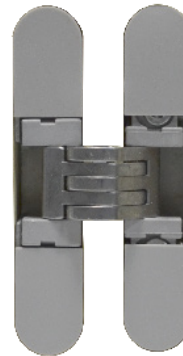
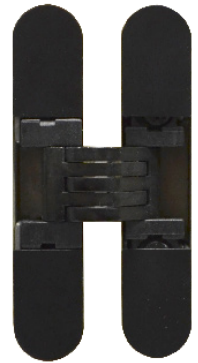
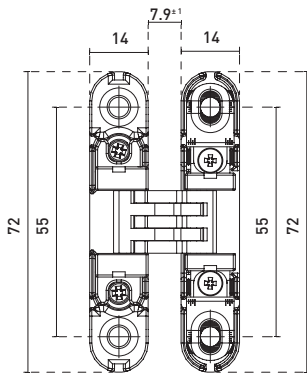


3D Concealed Hinge for Furniture

D.6100.3D

- Concealed hinge for furniture
- With 3D adjustment
- Doors with (maximum): 600x2000mm
- Minimum door thickness: 18mm
- Reversible
- 3D Adjustment:
 - Horizontal: ± 1.5
 - Depth: ± 1
 - Vertical: ± 1.5
- Load capacity: up to 19kg (see Load Capacity table)
- Includes: aluminium cover caps and fixing screws
- Assembly instructions



Load capacity

