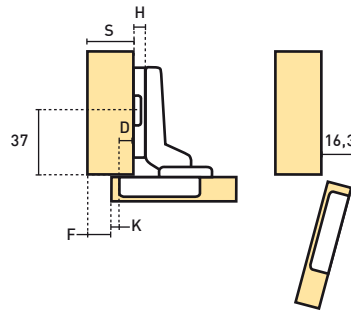
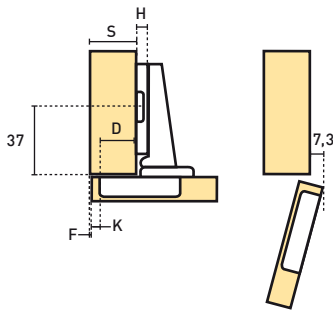
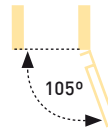
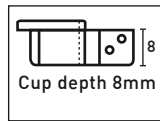
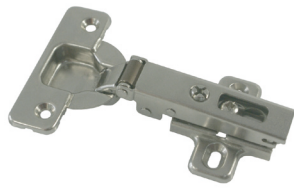


D SPM 008  
8mm cup

MATERIAL  
Steel

Finish  
Nickel

50

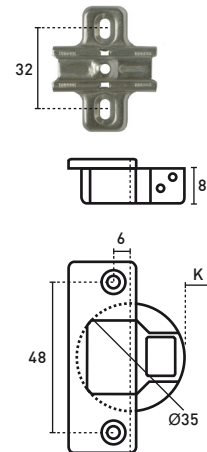


SPM 008/Recta					
S	H	D	K	F	-
18	0	15	3	0	-
18	3	15	6	0	-

SPM 008/C8					
S	H	D	K	F	-
18	0	6	3	9	-
18	3	6	6	9	-

- Articulated cup hinge with spring
- Two models:  
Overlay 0mm  
Half overlay 8mm
- Cup diameter: Ø35mm
- Opening angle: 105°
- Cup depth: 8mm
- To apply specially with minimum thicknesses of 10mm and onwards

SPM mounting plate 010/H0  
H=0



Brazier head screws recommended 4x16 or 18