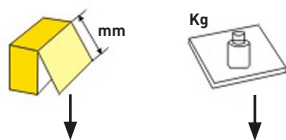
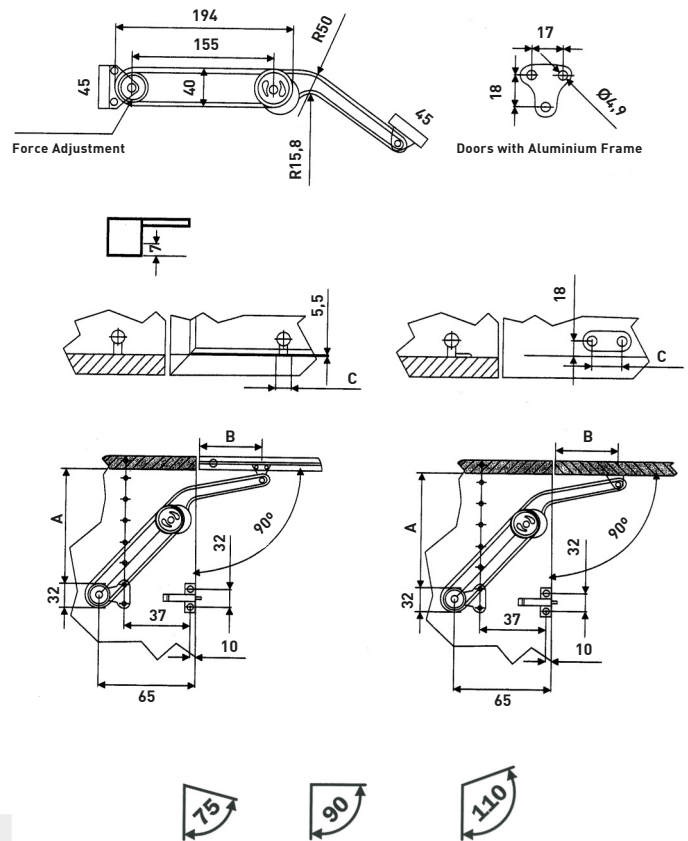
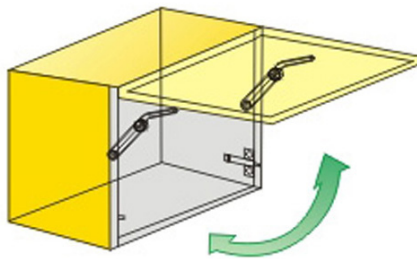


CM 123

Flap stay for cabinet doors with adjustable force 1 to 12
 Application in cabinets with wooden doors or aluminium frame
 Reversible right/ left
 Opening angles: 75°, 90° and 110°
 Fixing accessory for doors with aluminium frame is ordered separately

MATERIAL
 Steel/ Zinc-Alloy

FINISH
 Nickel



Door Height/ Weight	Force	1-2-3	4-5-6	7-8-9	10-11-12
	300	3.5 - 5.0	5.0 - 10.0	9.0 - 15.5	11.0 - 20.0
400	2.0 - 4.0	3.5 - 7.5	6.5 - 11.5	8.5 - 15.0	
500	1.5 - 3.0	3.0 - 6.0	5.5 - 9.5	7.0 - 12.0	
600	1.5 - 2.5	2.5 - 5.0	4.5 - 7.5	6.0 - 10.0	
700	1.0 - 2.0	2.0 - 4.0	3.5 - 6.5	4.5 - 8.5	
800	1.0 - 2.0	1.5 - 3.5	3.0 - 5.5	4.0 - 7.5	
900	1.0 - 1.8	1.5 - 3.0	3.0 - 5.0	3.5 - 6.5	
1000	0.9 - 1.5	1.5 - 3.0	2.5 - 4.5	3.5 - 6.0	

Installation	A	B	C	
	Wooden door	75°	205	198
90°		180	176	17
110°		180	128	17
Door with Aluminium Frame	75°	205	190	32
	90°	180	163	32
	110°	180	116	31