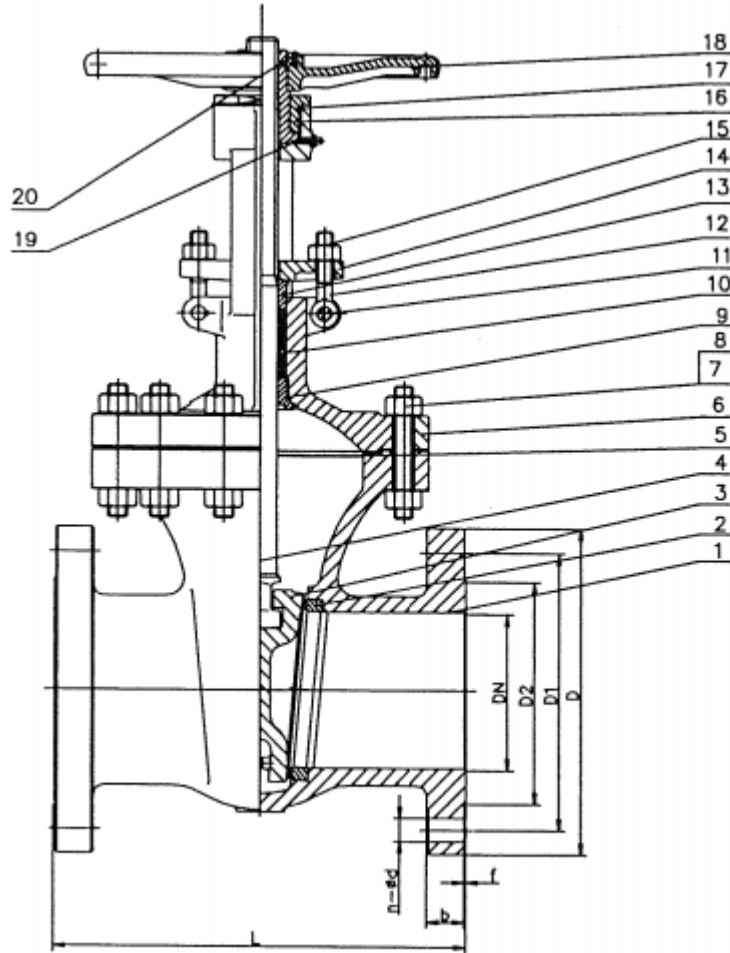




**TURCOMP**



No.	Part Name	Material
1	Body	A216 WCB
2	Seat Ring	A105 + STL
3	Disc	A216 WCB + 13Cr
4	Stem	A182 F6a
5	Gasket	Graphite + SS316
6	Bonnet	A216 WCB
7	Bonnet Bolt	A193 B7
8	Bonnet Nut	A194 2H
9	Backseat Bushing	A276 410
10	Stem Packing	Flexible Graphite
11	Pin	Carbon Steel
12	Gland Eyebolt	A193 b7
13	Gland Follower	A276 410
14	Gland Flange	A216 WCB
16	Stem Nut	A439 D2
17	Gland	A105/A216 WCB
18	Hand wheel	Malleable Iron
19	Oil Cup	Assembly
20	H.W.Lock Nut	AISI 1035

DIM \ NPS	L	D	D1	D2	n-Φd	f	b
2"	216	165	127	92	8-Φ19	2	21
3"	283	210	168.5	127	8-Φ22	2	27
4"	305	255	200	157	8-Φ22	2	30