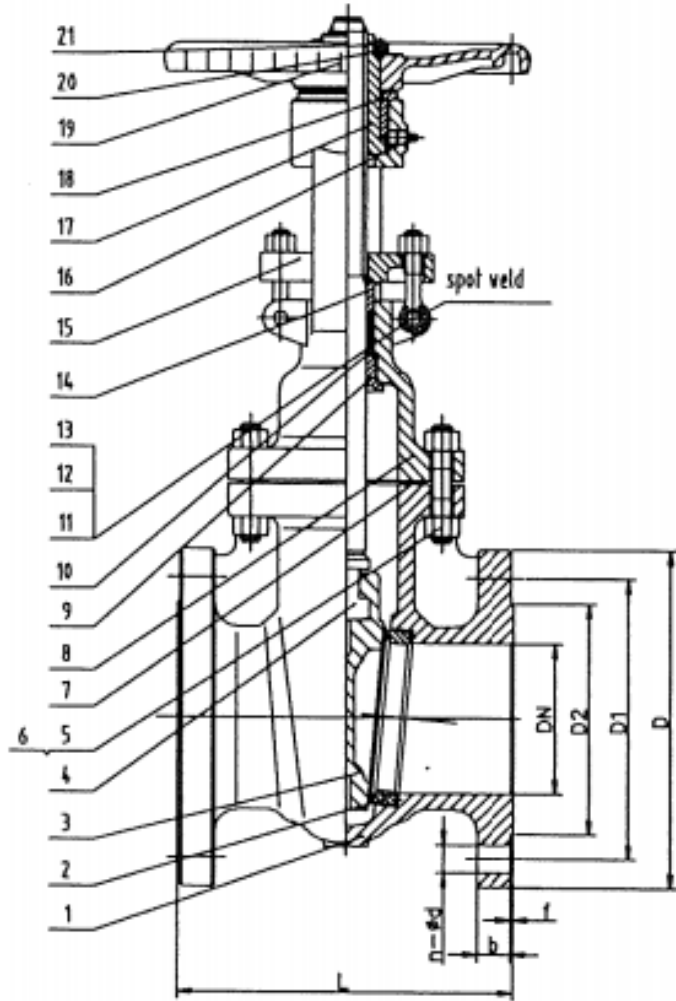




TURCOMP



No.	Part Name	Material
1	Body	A216 WCB
2	Seat	A105 + STL
3	Disc	A216 WCB + 13Cr
4	Stem	ASTM A182 F6a
5	Nut	A194 2H
6	Bolt	A193 B7
7	Gasket	Graphite + SS316
8	Bonnet	A216 WCB
9	Backseat	276 410
10	Packing	Flexible Graphite
11	Pin	Carbon Steel
12	Gland Eyebolt	A193 b7
13	Gland Nut	A194 2H
14	Gland	276 410
15	Gland Flange	A216 WCB
16	Nozzle	Brass
17	Stem Nut	A439 D2
18	Retaining Nut	Carbon Steel
19	Handwheel	Malleable Iron
20	Nut	Carbon Steel
21	Grub Screw	Carbon Steel

NPS	DIM					
	L	D	D1	D2	n-Φd	f
2"	178	150	120.5	92	4-Φ19	2
4"	203	230	190.5	157	8-Φ19	2