

GATE VALVE

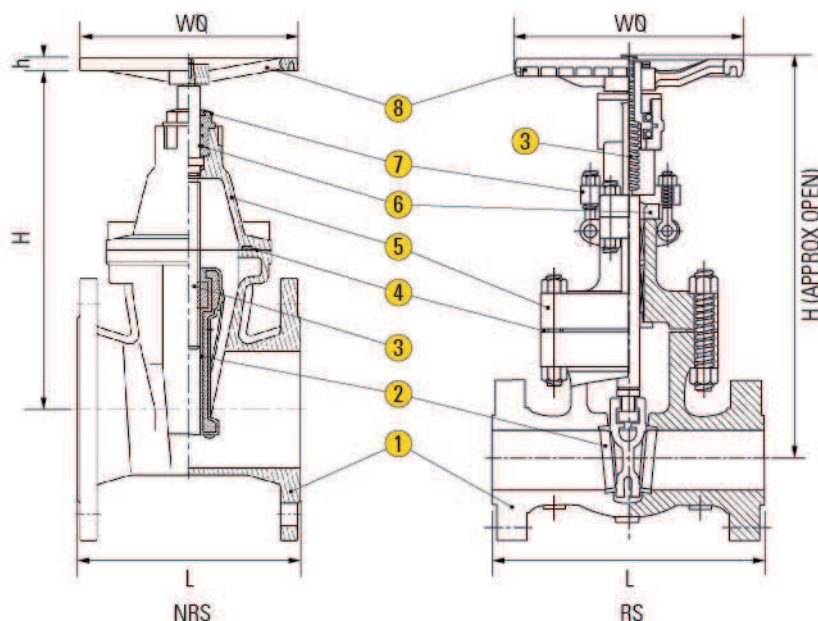
DIN STD/ANSI STD (NRS & RS)

CL 125: BODY - CAST IRON

CAST IRON / CARBON STEEL / STAINLESS STEEL



FIG 111



APPLICATION

Suitable for oil, water, steam and others non-abrasive media
(Refer to corrosion resistance table for valve materials selection).

SPECIFICATION

Face To Face Dimension	DIN 3202 F4 (optional F5, F7)
End Connection	Flanged End to DIN PN16
Pressure Rating	16 Bar
Working Temperature	Up to 150°C

MATERIAL

Parts	FIG 111 - CI	FIG 111 - CS	FIG 111 - SS304 / SS316
1 Body	Cast Iron EN-GJL-250	Cast Steel GP240GH	Stainless Steel 1.4301 / 1.4408
2 Wedge	Stainless Steel X20Cr13	Stainless Steel X20Cr13	Stainless Steel F304 / F316
3 Stem	Stainless Steel X20Cr13	Stainless Steel X20Cr13	Stainless Steel F304 / F316
4 Bonnet Gasket	Graphite - CrNiSt	Graphite - CrNiSt	SS 304 / 316 + Graphite
5 Bonnet	Cast Iron EN-GJL-250	Cast Steel GP240GH	Stainless Steel 1.4301 / 1.4408
6 Packing	Graphite	Graphite	Graphite
7 Gland	Cast Iron EN-GJL-250	Forged Steel C 22.8	Stainless Steel F304 / F316
8 Handwheel	Cast Iron EN-GJL-250	Cast Steel GP240GH	Cast Steel GP240GH

PREASSURE-TEMPERATURE RATINGS ACC. DIN EN 1092-1/2

Material	Temperature										
	-10°C	20°C	100°C	120°C	150°C	200°C	250°C	300°C	350°C	400°C	450°C
PN16 - Cast Iron	16 Bar	16 Bar	16 Bar	16 Bar	14 Bar	13 Bar	11 Bar	10 Bar	-	-	-
PN40 - Cast Steel	40 Bar	40 Bar	40 Bar	40 Bar	37 Bar	35 Bar	32 Bar	28 Bar	24 Bar	21 Bar	18 Bar

DIMENSIONS (mm)

Size	inch	2	2 ½	3	4	5	6	8	10	12	14	16
	mm	50	65	80	100	125	150	200	250	300	350	400
DIN 3352 (PN16)	L	150	170	180	190	200	210	230	250	270	290	310
	H	216	238	261	310	365	407	504	602	680	762	836
	ØW	160	160	180	200	250	250	280	300	355	450	450
	Weight (Kg)	11	14	17	22	30	35	60	85	120	180	235
ANSI B16.5 (ANSI 150#)	L	178	190	203	229	254	267	292	330	356	381	406
	H	320	345	387	490	576	680	808	1010	1080	1258	1385
	ØW	200	200	200	254	300	300	345	400	450	505	556
	Weight (Kg)	20	26	32	50	70	89	141	218	315	457	570

*Specification given are subject to changed without further notice.